

HMC 11 120AC 10A C1D2 - Hydraulic-magnetic circuit breaker



2907196

<https://www.phoenixcontact.com/ca/products/2907196>

Please be informed that the data shown in this PDF document is generated from our online catalog. Please find the complete data in the user documentation. Our general terms of use for downloads are valid.

HMC series of supplemental circuit protector modules, 10 A rating



Your advantages

- Optional T-bus for reduced wiring
- UL recognized for hazardous locations Class I, Division 2, Groups A, B, C, and D
- Dual-rated for 50 V DC and 120 V AC
- Hydraulic-magnetic technology provides extended temperature stability

Commercial data

Item number	2907196
Packing unit	1 pc
Minimum order quantity	1 pc
Sales key	CL34
Product key	CLA181
GTIN	4055626342399
Weight per piece (including packing)	165.1 g
Weight per piece (excluding packing)	165.1 g
Customs tariff number	85362010
Country of origin	US

HMC 11 120AC 10A C1D2 - Hydraulic-magnetic circuit breaker



2907196

<https://www.phoenixcontact.com/ca/products/2907196>

Technical data

Notes

Trade restriction

CE note	The products are offered exclusively for export outside the EU and the European Economic Area.
---------	--

Product properties

Product type	Device circuit breakers
Product family	HMC
Number of positions	4
Number of rows	1

Electrical properties

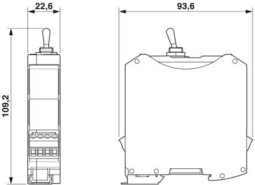
General

Nominal current I_N	10 A
Rated voltage	120 V AC (50/60 Hz)
	50 V DC
Rated short-circuit switching capacity I_{cn}	1 kA ()
Fuse	Hydraulic magnetic circuit breaker

Connection data

Screw thread	M3
Tightening torque	0.5 ... 0.6 Nm
Stripping length	7 mm
Conductor cross section rigid	0.2 mm ² ... 2.5 mm ²
Cross section AWG	24 ... 12 (converted acc. to IEC)
Conductor cross section flexible	0.2 mm ² ... 2.5 mm ²
Conductor cross section, flexible [AWG]	24 ... 12 (converted acc. to IEC)

Dimensions

Dimensional drawing	
Width	22.6 mm
Height	109.2 mm
Depth	93.6 mm

Material specifications

Color	light grey (RAL 7035)
-------	-----------------------

HMC 11 120AC 10A C1D2 - Hydraulic-magnetic circuit breaker



2907196

<https://www.phoenixcontact.com/ca/products/2907196>

Material	Polyamide
Flammability rating according to UL 94	V0

Environmental and real-life conditions

Ambient conditions

Ambient temperature (operation)	-40 °C ... 65 °C
Ambient temperature (storage/transport)	-40 °C ... 65 °C

Standards and regulations

Standards/specifications	UL 1077
--------------------------	---------

Mounting

Mounting type	DIN rail: 35 mm
Mounting position	As desired on 35 mm DIN rail in acc. with EN 60715

HMC 11 120AC 10A C1D2 - Hydraulic-magnetic circuit breaker

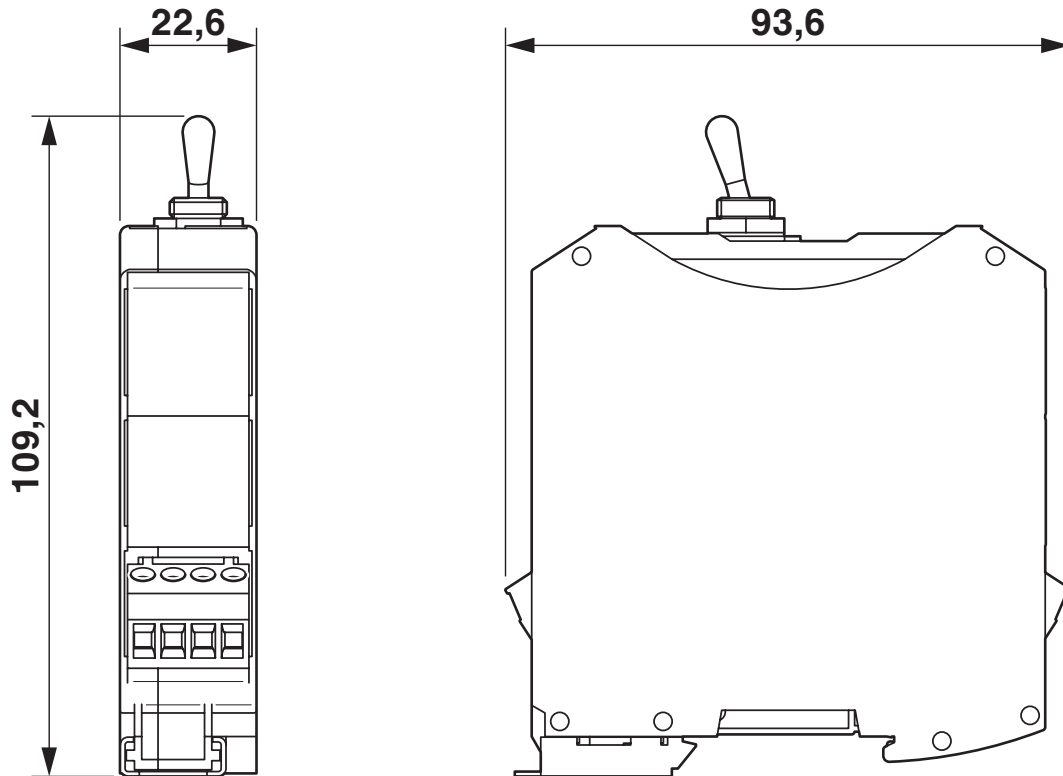


2907196

<https://www.phoenixcontact.com/ca/products/2907196>

Drawings

Dimensional drawing



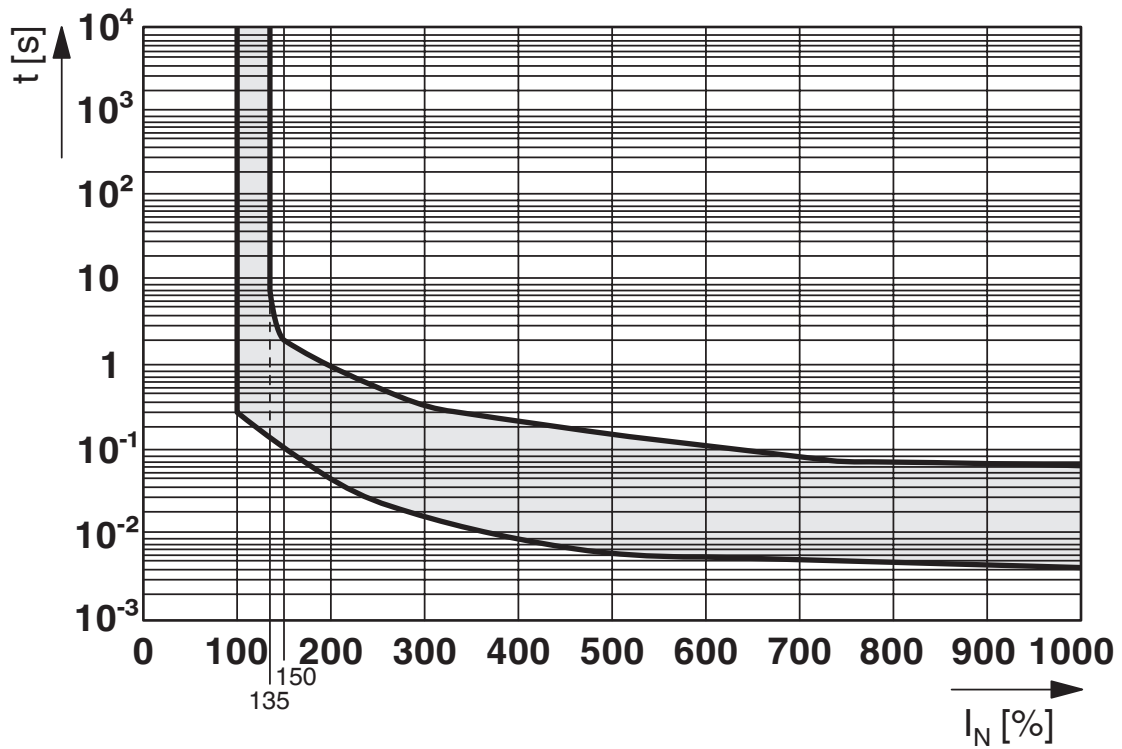
HMC 11 120AC 10A C1D2 - Hydraulic-magnetic circuit breaker



2907196

<https://www.phoenixcontact.com/ca/products/2907196>

Diagram



HMC 11 120AC 10A C1D2 - Hydraulic-magnetic circuit breaker



2907196

<https://www.phoenixcontact.com/ca/products/2907196>

Approvals

To download certificates, visit the product detail page: <https://www.phoenixcontact.com/ca/products/2907196>



cUL Recognized
Approval ID: FILE E 140459



UL Recognized
Approval ID: FILE E 140459



cUL Recognized
Approval ID: FILE E 360692



UL Recognized
Approval ID: FILE E 360692

cULus Recognized

cULus Recognized

HMC 11 120AC 10A C1D2 - Hydraulic-magnetic circuit breaker



2907196

<https://www.phoenixcontact.com/ca/products/2907196>

Classifications

ECLASS

ECLASS-11.0	27141116
ECLASS-12.0	27141116
ECLASS-13.0	27140401

HMC 11 120AC 10A C1D2 - Hydraulic-magnetic circuit breaker



2907196

<https://www.phoenixcontact.com/ca/products/2907196>

Environmental product compliance

EU RoHS

Fulfills EU RoHS substance requirements	Not applicable, Not qualified for the European market
---	---

China RoHS

Environment friendly use period (EFUP)	EFUP-50
	An article-related China RoHS declaration table can be found in the download area for the respective article under "Manufacturer declaration". For all articles with EFUP-E, no China RoHS declaration table issued and required.

EU REACH SVHC

REACH candidate substance (CAS No.)	No substance above 0.1 wt%
-------------------------------------	----------------------------

Phoenix Contact 2024 © - all rights reserved

<https://www.phoenixcontact.com>

PHOENIX CONTACT Ltd
8240 Parkhill Drive
Milton, Ontario L9T 5V7
1-800-890-2820
cdinfo@phoenixcontact.ca