

# TMC 82C 20A - Thermomagnetic device circuit breaker

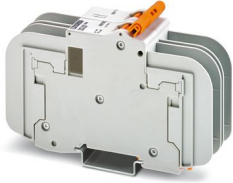


2907597

<https://www.phoenixcontact.com/us/products/2907597>

Please be informed that the data shown in this PDF document is generated from our online catalog. Please find the complete data in the user documentation. Our general terms of use for downloads are valid.

Thermomagnetic device circuit breaker, number of positions: 2, cross section: 1 mm<sup>2</sup>- 35 mm<sup>2</sup>, AWG: 18 - 2, mounting type: DIN rail: 35 mm



## Commercial data

Item number	2907597
Packing unit	1 pc
Note	Made to order (non-returnable)
Sales key	CL08
Product key	CLA125
GTIN	4055626215518
Weight per piece (including packing)	270.666 g
Weight per piece (excluding packing)	270.666 g
Customs tariff number	85362010
Country of origin	CN

# TMC 82C 20A - Thermomagnetic device circuit breaker



2907597

<https://www.phoenixcontact.com/us/products/2907597>

## Technical data

### Product properties

Type	DIN rail module, one-piece
Product type	Thermomagnetic device circuit breakers
Product family	TMC 8
Number of positions	2
Mechanical service life	20000

### Electrical properties

Service life electrical	6000
-------------------------	------

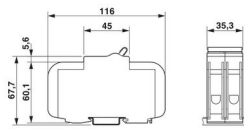
#### General

Operating voltage	240 V AC (277/480Y, 240D)
	125 V DC (two poles in series)
Rated current $I_N$	20 A
Tripping method	TM (thermomagnetic)
Rated short-circuit switching capacity $I_{cn}$	10 kA (IC)
Fuse	C

### Connection data

Conductor cross section rigid	1 mm <sup>2</sup> ... 35 mm <sup>2</sup>
Cross section AWG	18 ... 2 (converted acc. to IEC)
Conductor cross section flexible	1 mm <sup>2</sup> ... 35 mm <sup>2</sup>
Connection method	Screw connection
Tightening torque, min	2 Nm
Stripping length	11 mm ... 12 mm
Conductor cross section flexible max.	35 mm <sup>2</sup>
Conductor cross section, rigid max.	35 mm <sup>2</sup>

### Dimensions

Dimensional drawing	
Width	35.3 mm
Height	116 mm
Depth	76.6 mm (incl. DIN rail 7.5 mm)

### Material specifications

Color	light grey (RAL 7035)
	gray (RAL 7042)

### Environmental and real-life conditions

# TMC 82C 20A - Thermomagnetic device circuit breaker



2907597

<https://www.phoenixcontact.com/us/products/2907597>

## Ambient conditions

Ambient temperature (operation)	-35 °C ... 70 °C
Humidity test	48 h, 95% RH, 40°C (IEC 60068-2-78)
Shock (operation)	30g (11 ms) (IEC 60068-2-11)
Vibration (operation)	±0.38 mm (10-57 Hz), 5g (57...500 Hz) (IEC 60068-2-6, Fc, sine)

## Standards and regulations

Standards/specifications	UL 489
	IEC 60947-2

## Mounting

Mounting type	DIN rail: 35 mm
---------------	-----------------

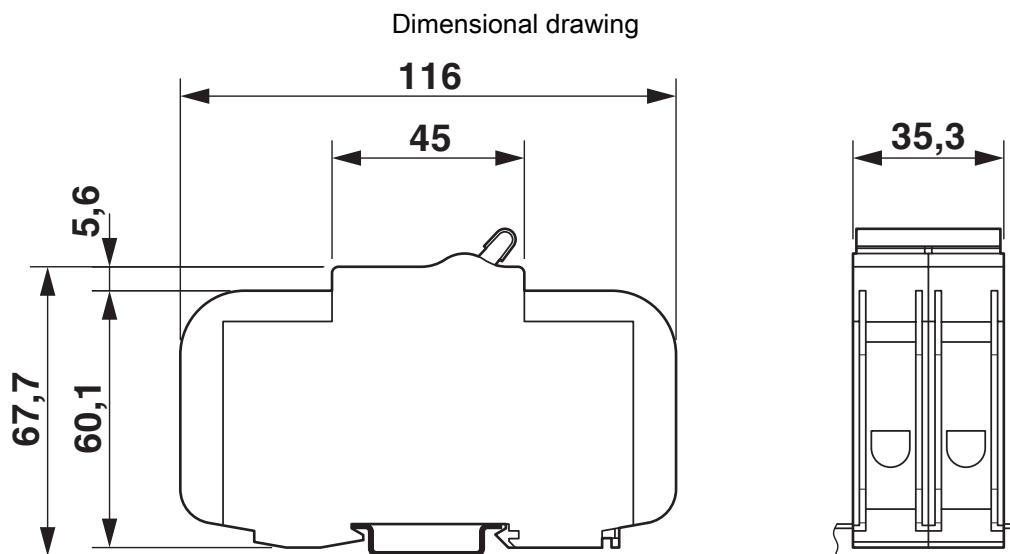
# TMC 82C 20A - Thermomagnetic device circuit breaker



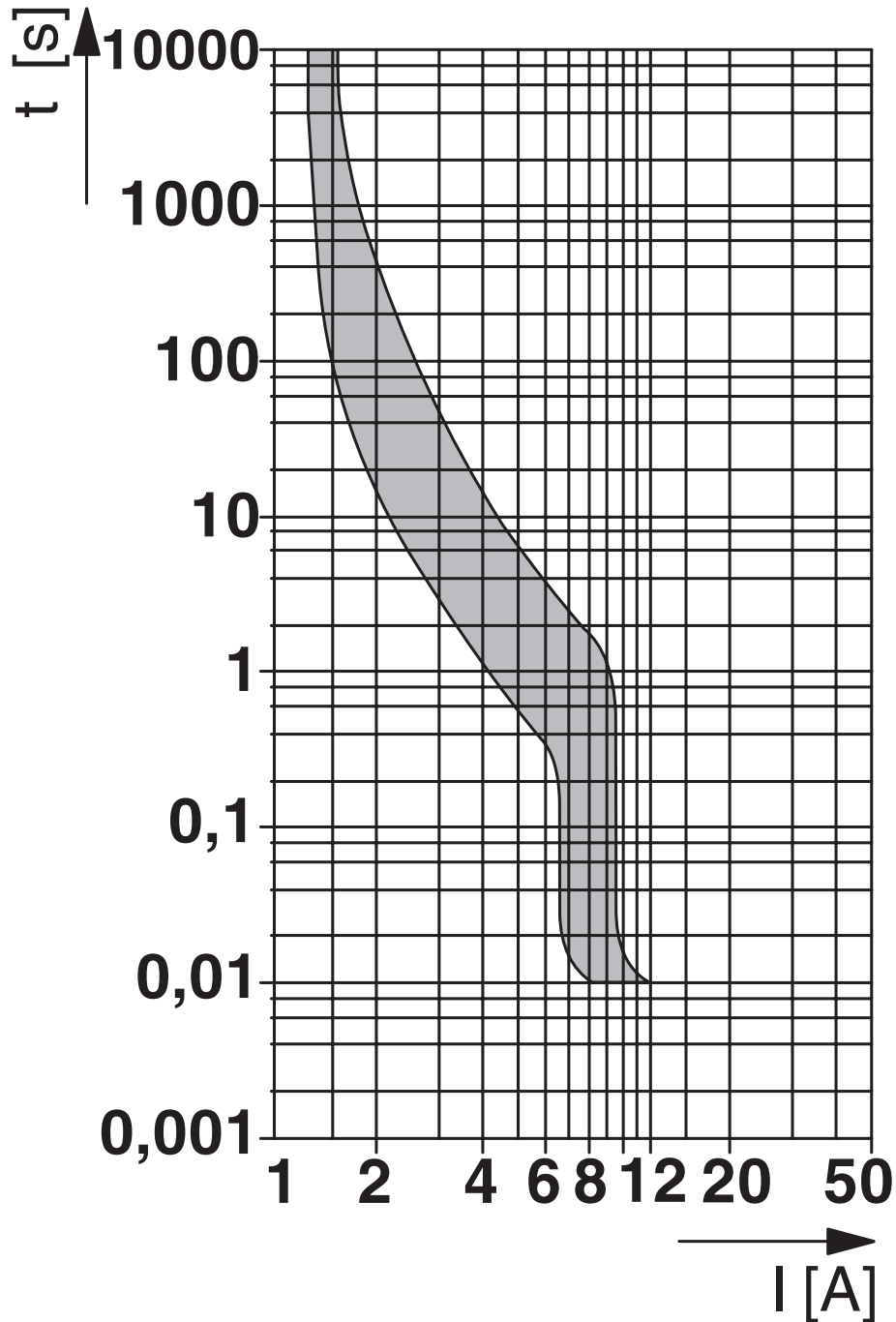
2907597

<https://www.phoenixcontact.com/us/products/2907597>

## Drawings



Diagram



# TMC 82C 20A - Thermomagnetic device circuit breaker



2907597

<https://www.phoenixcontact.com/us/products/2907597>

## Approvals

To download certificates, visit the product detail page: <https://www.phoenixcontact.com/us/products/2907597>



**UL Listed**

Approval ID: FILE E 320373



**cUL Listed**

Approval ID: FILE E 320373



**TÜV Rheinland**

Approval ID: R 50531587

**cULus Listed**

# TMC 82C 20A - Thermomagnetic device circuit breaker



2907597

<https://www.phoenixcontact.com/us/products/2907597>

## Classifications

### ECLASS

ECLASS-11.0	27141116
ECLASS-12.0	27141116
ECLASS-13.0	27140401

### ETIM

ETIM 8.0	EC000899
----------	----------

### UNSPSC

UNSPSC 21.0	39121400
-------------	----------

# TMC 82C 20A - Thermomagnetic device circuit breaker



2907597

<https://www.phoenixcontact.com/us/products/2907597>

## Environmental product compliance

China RoHS	Environmentally friendly use period: unlimited = EFUP-e
	No hazardous substances above threshold values

Phoenix Contact 2024 © - all rights reserved  
<https://www.phoenixcontact.com>

Phoenix Contact USA  
586 Fulling Mill Road  
Middletown, PA 17057, United States  
(+717) 944-1300  
[info@phoenixcon.com](mailto:info@phoenixcon.com)