

TMC 83C 25A - Thermomagnetic device circuit breaker



2907623

<https://www.phoenixcontact.com/us/products/2907623>

Please be informed that the data shown in this PDF document is generated from our online catalog. Please find the complete data in the user documentation. Our general terms of use for downloads are valid.

Thermomagnetic device circuit breaker, number of positions: 3, cross section: 1 mm²- 35 mm², AWG: 18 - 2, mounting type: DIN rail: 35 mm



Commercial data

Item number	2907623
Packing unit	1 pc
Note	Made to order (non-returnable)
Sales key	CL08
Product key	CLA125
GTIN	4055626215891
Weight per piece (including packing)	222.222 g
Weight per piece (excluding packing)	222.222 g
Customs tariff number	85362010
Country of origin	CN

TMC 83C 25A - Thermomagnetic device circuit breaker



2907623

<https://www.phoenixcontact.com/us/products/2907623>

Technical data

Product properties

Product type	Thermomagnetic device circuit breakers
Product family	TMC 8
Type	DIN rail module, one-piece
Number of positions	3
Mechanical service life	20000

Electrical properties

Service life electrical	6000
-------------------------	------

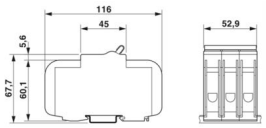
General

Operating voltage	240 V AC (277/480Y, 240D)
Rated current I_N	25 A
Tripping method	TM (thermomagnetic)
Rated short-circuit switching capacity I_{cn}	10 kA (IC)
Fuse	C

Connection data

Conductor cross section rigid	1 mm ² ... 35 mm ²
Cross section AWG	18 ... 2 (converted acc. to IEC)
Conductor cross section flexible	1 mm ² ... 35 mm ²
Connection method	Screw connection
Tightening torque, min	2 Nm
Stripping length	11 mm ... 12 mm
Conductor cross section flexible max.	35 mm ²
Conductor cross section, rigid max.	35 mm ²

Dimensions

Dimensional drawing	
Width	52.9 mm
Height	116 mm
Depth	76.6 mm (incl. DIN rail 7.5 mm)

Material specifications

Color	light grey (RAL 7035)
	gray (RAL 7042)

Environmental and real-life conditions

TMC 83C 25A - Thermomagnetic device circuit breaker



2907623

<https://www.phoenixcontact.com/us/products/2907623>

Ambient conditions

Ambient temperature (operation)	-35 °C ... 70 °C
Humidity test	48 h, 95% RH, 40°C (IEC 60068-2-78)
Shock (operation)	30g (11 ms) (IEC 60068-2-11)
Vibration (operation)	±0.38 mm (10-57 Hz), 5g (57...500 Hz) (IEC 60068-2-6, Fc, sine)

Standards and regulations

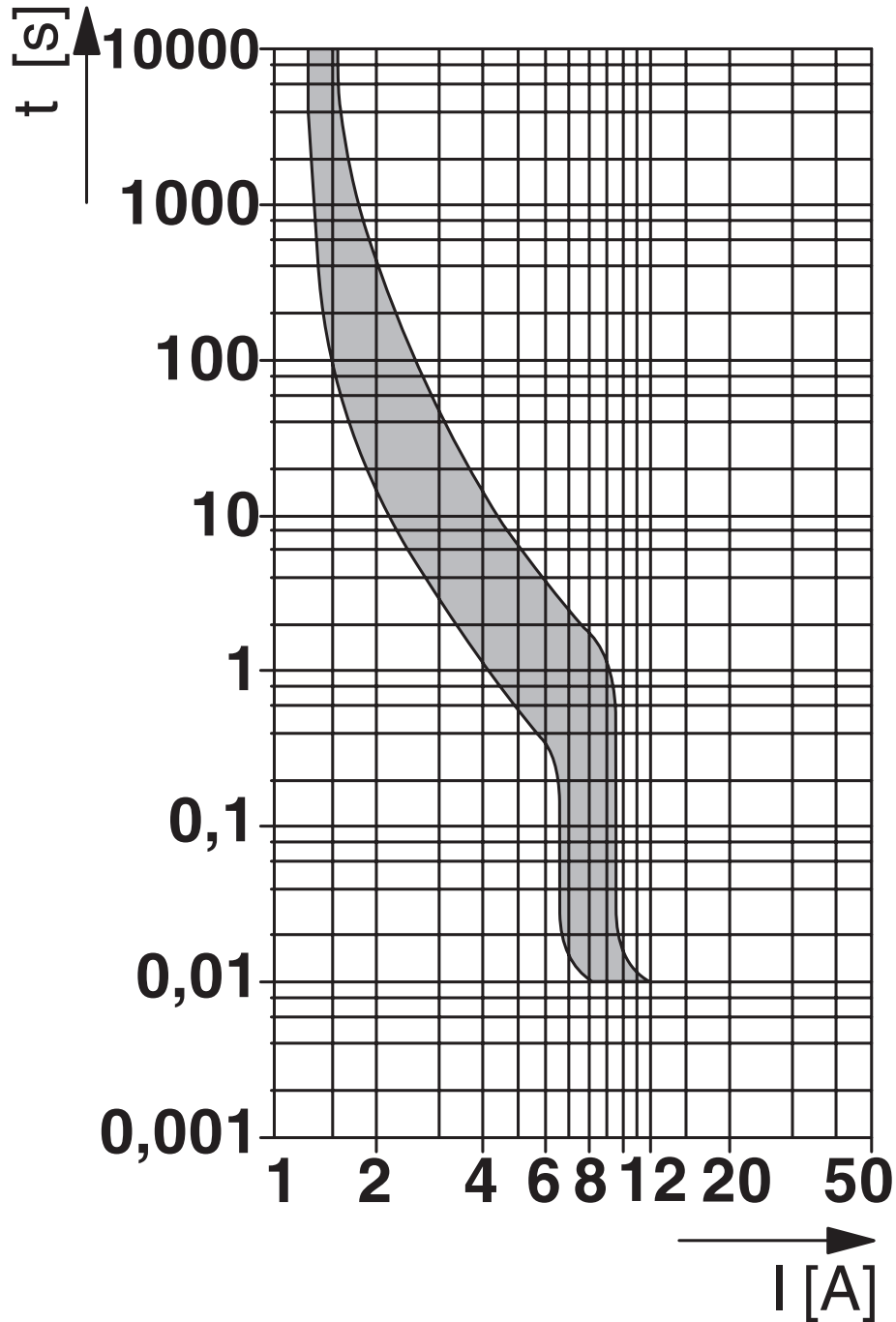
Standards/specifications	UL 489
	IEC 60947-2

Mounting

Mounting type	DIN rail: 35 mm
---------------	-----------------

Drawings

Diagram



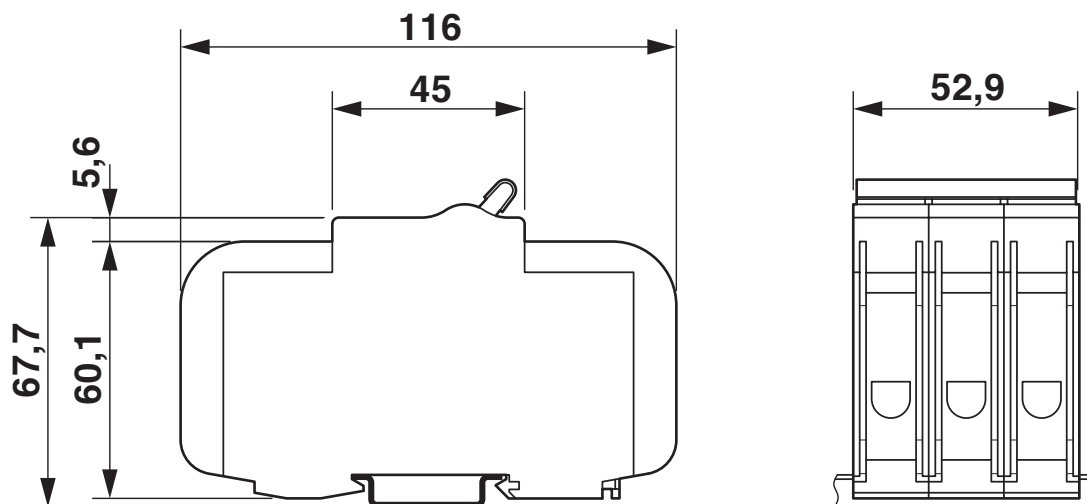
TMC 83C 25A - Thermomagnetic device circuit breaker



2907623

<https://www.phoenixcontact.com/us/products/2907623>

Dimensional drawing



TMC 83C 25A - Thermomagnetic device circuit breaker



2907623

<https://www.phoenixcontact.com/us/products/2907623>

Approvals

To download certificates, visit the product detail page: <https://www.phoenixcontact.com/us/products/2907623>



UL Listed

Approval ID: FILE E 320373



cUL Listed

Approval ID: FILE E 320373



TÜV Rheinland

Approval ID: R 50531587

cULus Listed

TMC 83C 25A - Thermomagnetic device circuit breaker



2907623

<https://www.phoenixcontact.com/us/products/2907623>

Classifications

ECLASS

ECLASS-11.0	27141116
ECLASS-12.0	27141116
ECLASS-13.0	27140401

UNSPSC

UNSPSC 21.0	39121410
-------------	----------

TMC 83C 25A - Thermomagnetic device circuit breaker



2907623

<https://www.phoenixcontact.com/us/products/2907623>

Environmental product compliance

China RoHS	Environmentally friendly use period: unlimited = EFUP-e
	No hazardous substances above threshold values

Phoenix Contact 2024 © - all rights reserved
<https://www.phoenixcontact.com>

Phoenix Contact USA
586 Fulling Mill Road
Middletown, PA 17057, United States
(+717) 944-1300
info@phoenixcon.com