

# TMC 83D 15A - Thermomagnetic device circuit breaker



2907687

<https://www.phoenixcontact.com/nz/products/2907687>

Please be informed that the data shown in this PDF document is generated from our online catalog. Please find the complete data in the user documentation. Our general terms of use for downloads are valid.

Thermomagnetic device circuit breaker, number of positions: 3, cross section: 1 mm<sup>2</sup>- 35 mm<sup>2</sup>, AWG: 18 - 2, mounting type: DIN rail: 35 mm



## Commercial data

Item number	2907687
Packing unit	4 pc
Minimum order quantity	1 pc
Sales key	CLA125
Product key	CLA125
GTIN	4055626216263
Weight per piece (including packing)	406.75 g
Weight per piece (excluding packing)	396.75 g
Country of origin	CN

# TMC 83D 15A - Thermomagnetic device circuit breaker



2907687

<https://www.phoenixcontact.com/nz/products/2907687>

## Technical data

### Product properties

Product type	Thermomagnetic device circuit breakers
Product family	TMC 8
Type	DIN rail module, one-piece
Number of positions	3
Mechanical service life	20000

### Electrical properties

Service life electrical	6000
-------------------------	------

#### General

Operating voltage	240 V AC (277/480Y, 240D)
Rated current $I_N$	15 A
Tripping method	TM (thermomagnetic)
Rated short-circuit switching capacity $I_{cn}$	10 kA (IC)
Fuse	D

### Connection data

Conductor cross section rigid	1 mm <sup>2</sup> ... 35 mm <sup>2</sup>
Cross section AWG	18 ... 2 (converted acc. to IEC)
Conductor cross section flexible	1 mm <sup>2</sup> ... 35 mm <sup>2</sup>
Connection method	Screw connection
Tightening torque, min	2 Nm
Stripping length	11 mm ... 12 mm
Conductor cross section flexible max.	35 mm <sup>2</sup>
Conductor cross section, rigid max.	35 mm <sup>2</sup>

### Dimensions

Dimensional drawing	
Width	52.9 mm
Height	116 mm
Depth	76.6 mm (incl. DIN rail 7.5 mm)

### Material specifications

Color	light grey (RAL 7035) gray (RAL 7042)
-------	--

### Environmental and real-life conditions

# TMC 83D 15A - Thermomagnetic device circuit breaker



2907687

<https://www.phoenixcontact.com/nz/products/2907687>

## Ambient conditions

Ambient temperature (operation)	-35 °C ... 70 °C
Humidity test	48 h, 95% RH, 40°C (IEC 60068-2-78)
Shock (operation)	30g (11 ms) (IEC 60068-2-11)
Vibration (operation)	±0.38 mm (10-57 Hz), 5g (57...500 Hz) (IEC 60068-2-6, Fc, sine)

## Standards and regulations

Standards/specifications	UL 489
	IEC 60947-2

## Mounting

Mounting type	DIN rail: 35 mm
---------------	-----------------

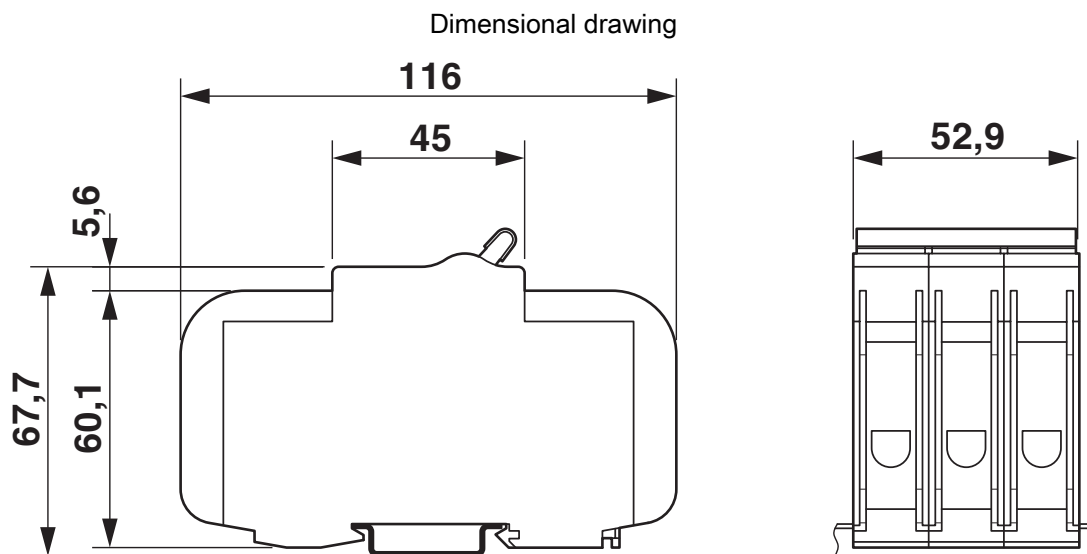
# TMC 83D 15A - Thermomagnetic device circuit breaker



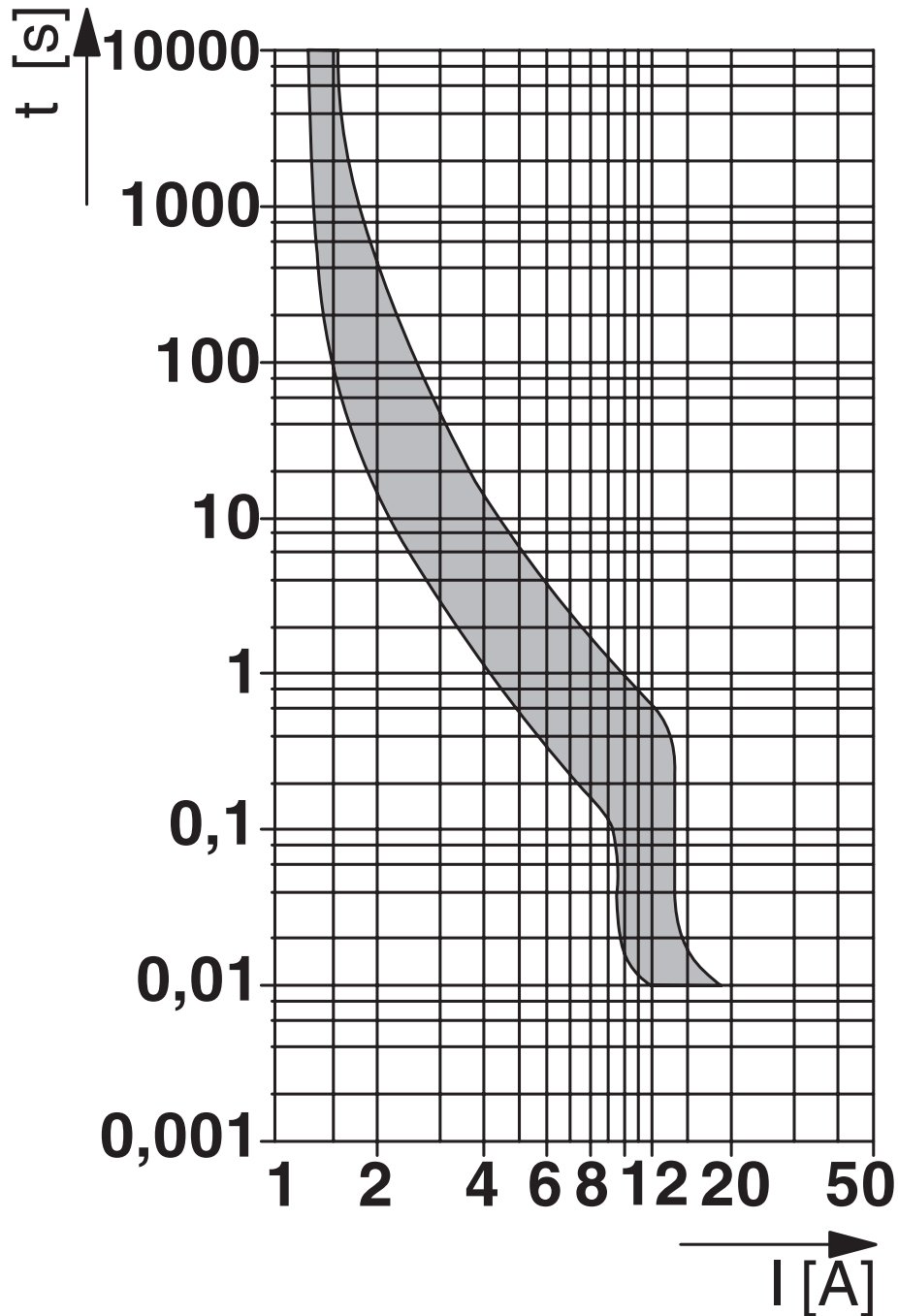
2907687

<https://www.phoenixcontact.com/nz/products/2907687>

## Drawings



Diagram



# TMC 83D 15A - Thermomagnetic device circuit breaker



2907687

<https://www.phoenixcontact.com/nz/products/2907687>

## Approvals

To download certificates, visit the product detail page: <https://www.phoenixcontact.com/nz/products/2907687>



**UL Listed**

Approval ID: FILE E 320373



**cUL Listed**

Approval ID: FILE E 320373



**TÜV Rheinland**

Approval ID: R 50531587

**cULus Listed**

# TMC 83D 15A - Thermomagnetic device circuit breaker



2907687

<https://www.phoenixcontact.com/nz/products/2907687>

## Classifications

### ECLASS

ECLASS-11.0	27141116
ECLASS-12.0	27141116
ECLASS-13.0	27140401

### UNSPSC

UNSPSC 21.0	39121410
-------------	----------

# TMC 83D 15A - Thermomagnetic device circuit breaker



2907687

<https://www.phoenixcontact.com/nz/products/2907687>

## Environmental product compliance

### EU RoHS

Fulfills EU RoHS substance requirements	Yes, No exemptions
---	--------------------

### China RoHS

Environment friendly use period (EFUP)	EFUP-E
	No hazardous substances above the limits

### EU REACH SVHC

REACH candidate substance (CAS No.)	No substance above 0.1 wt%
-------------------------------------	----------------------------

Phoenix Contact 2024 © - all rights reserved  
<https://www.phoenixcontact.com>

PHOENIX CONTACT Ltd  
Unit 15C, 906-930 Great South Road, Penrose  
Auckland 1061  
0508 474 636  
[sales@phoenixcontact.co.nz](mailto:sales@phoenixcontact.co.nz)