

ME 22,5 UT/FE BUS/10 GN - Mounting base housing



2908755

<https://www.phoenixcontact.com/pc/products/2908755>

Please be informed that the data shown in this PDF document is generated from our online catalog. Please find the complete data in the user documentation. Our general terms of use for downloads are valid.



DIN rail housing, Lower housing part with metal foot catch, with FE contact, tall design, with vents, width: 22.6 mm, height: 99 mm, depth: 107.3 mm, cross connection: integrated bus connector, number of positions cross connector: 10, Bus connector: 10 parallel contacts

Your advantages

- Tool-free mounting
- Available in overall widths from 12.5 mm to 90 mm, modular extension possible
- Flammability rating V0 in accordance with UL 94
- Variety of connection technology
- Can be mounted on the DIN rail
- With integrated or DIN-rail-mountable bus connector as an option

Commercial data

| | |
|--------------------------------------|---------------------|
| Item number | 2908755 |
| Packing unit | 10 pc |
| Minimum order quantity | 1 pc |
| Product key | ACHAAB |
| Catalog page | Page 663 (C-1-2013) |
| GTIN | 4017918160630 |
| Weight per piece (including packing) | 55.725 g |
| Weight per piece (excluding packing) | 41.568 g |
| Customs tariff number | 85369010 |
| Country of origin | DE |

2908755

<https://www.phoenixcontact.com/pc/products/2908755>

Technical data

Notes

| | |
|---------|---|
| General | Refer to the data sheet for the range in the download area. |
| General | Material of contact pads for bus connector, galvanic gold (hard gold) |

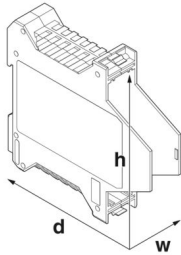
Product properties

| | |
|------------------------------|--|
| Product type | Enclosure bottom part |
| Product family | ME 22,5.. |
| Type | Lower housing parts with vents, housing cover necessary to complete the module |
| Housing series | ME |
| Type | Lower housing part with metal foot catch, with FE contact, tall design |
| Housing type | DIN rail housing |
| Ventilation openings present | yes |

Electrical properties

| | |
|-----------------------------|-------------------------|
| Nominal current I_N | 8 A (parallel contacts) |
| Degree of pollution | 3 |
| Rated voltage (III/3) | 63 V |
| Rated surge voltage (III/3) | 1.5 kV |
| Rated voltage (III/2) | 150 V |
| Rated surge voltage (III/2) | 2.5 kV |
| Rated voltage (II/2) | 300 V |
| Rated surge voltage (II/2) | 2.5 kV |

Dimensions

| | |
|---------------------|--|
| Dimensional drawing |  |
| Width [w] | 22.6 mm |
| Height [h] | 99 mm |

PCB design

| | |
|---------------|-------------------|
| PCB thickness | 1.4 mm ... 1.8 mm |
|---------------|-------------------|

Material specifications

ME 22,5 UT/FE BUS/10 GN - Mounting base housing



2908755

<https://www.phoenixcontact.com/pc/products/2908755>

Material data - contact

| | |
|-------------------------|-------------|
| Contact material | Cu alloy |
| Surface characteristics | gold-plated |

Material data - housing

| | |
|--|--------------|
| Color (Housing) | green (6021) |
| Insulating material | PA |
| Insulating material group | I |
| CTI according to IEC 60112 | 600 |
| Flammability rating according to UL 94 | V0 |

Connector

Connection 1

| | |
|----------------------------|-----|
| Insulating material | PA |
| CTI according to IEC 60112 | 600 |

Electrical tests

Air clearances and creepage distances |

| | |
|--|---------------------|
| Specification | IEC 60664-1:2007-04 |
| Insulating material group | I |
| Rated insulation voltage (III/3) | 63 V |
| Rated surge voltage (III/3) | 1.5 kV |
| minimum clearance value - non-homogenous field (III/3) | 0.8 mm |
| minimum creepage distance (III/3) | 1.6 mm |
| Rated insulation voltage (III/2) | 150 V |
| Rated surge voltage (III/2) | 2.5 kV |
| minimum clearance value - non-homogenous field (III/2) | 1.5 mm |
| minimum creepage distance (III/2) | 0.8 mm |
| Rated insulation voltage (II/2) | 300 V |
| Rated surge voltage (II/2) | 2.5 kV |
| minimum clearance value - non-homogenous field (II/2) | 1.5 mm |
| minimum creepage distance (II/2) | 1.5 mm |

Environmental and real-life conditions

Ambient conditions

| | |
|---|---|
| Max. IP code to attain | IP20 |
| Ambient temperature (operation) | -40 °C ... 105 °C (dependent on the derating curve) |
| Ambient temperature (storage/transport) | -40 °C ... 55 °C |
| Relative humidity (storage/transport) | 30 % ... 70 % |
| Ambient temperature (assembly) | -5 °C ... 100 °C |
| Relative humidity (storage/transport) | 80 % |

PCB data

ME 22,5 UT/FE BUS/10 GN - Mounting base housing



2908755

<https://www.phoenixcontact.com/pc/products/2908755>

| | |
|-----------------------|---|
| Number of PCB holders | 1 |
| Type of PCB mount | Insertion (optional latching by PCB stop) |
| Thickness of the PCB | 1.4 mm ... 1.8 mm |

Mounting

| | |
|-------------------|--------------------------------|
| Mounting type | DIN rail mounting |
| Mounting position | Vertical (horizontal DIN rail) |

Packaging specifications

| | |
|----------------------|---------------------|
| Type of packaging | packed in cardboard |
| Outer packaging type | Carton |

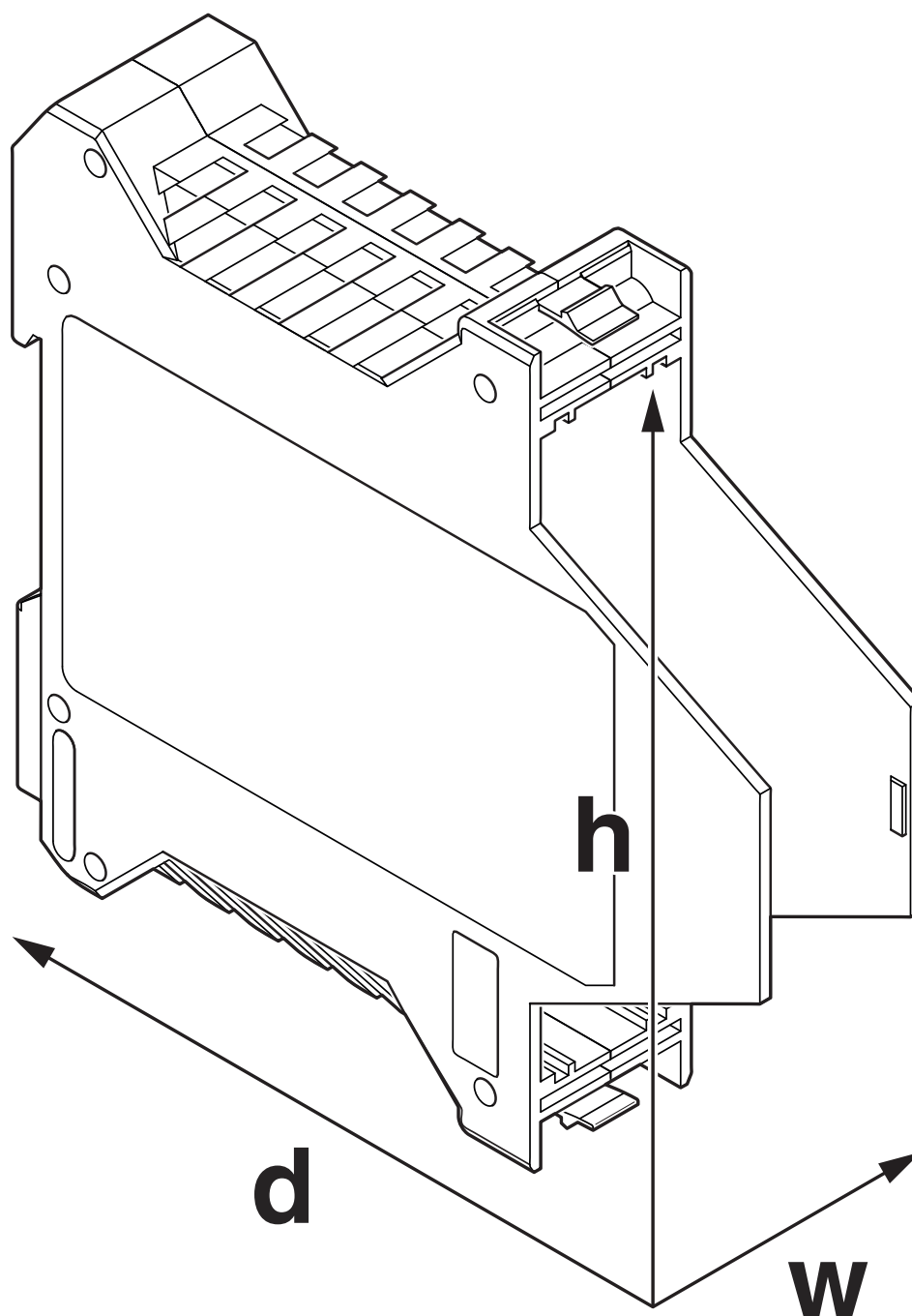
ME 22,5 UT/FE BUS/10 GN - Mounting base housing

2908755

<https://www.phoenixcontact.com/pc/products/2908755>

Drawings

Dimensional drawing



Schematic figure for illustrating the item dimensions. The figure is not of the desired product. For further details, refer to the product drawings in the "Downloads" tab.

ME 22,5 UT/FE BUS/10 GN - Mounting base housing





2908755

<https://www.phoenixcontact.com/pc/products/2908755>

Approvals

To download certificates, visit the product detail page: <https://www.phoenixcontact.com/pc/products/2908755>

|  cUL Recognized Approval ID: FILE E 60425 | | | | |
|--|-----------------------|-----------------------|-------------------|-----------------------------|
| | Nominal voltage U_N | Nominal current I_N | Cross section AWG | Cross section mm^2 |
| Use group B | 300 V | 8 A | - | - |
| Use group D | 300 V | 8 A | - | - |

|  UL Recognized Approval ID: FILE E 60425 | | | | |
|---|-----------------------|-----------------------|-------------------|-----------------------------|
| | Nominal voltage U_N | Nominal current I_N | Cross section AWG | Cross section mm^2 |
| Use group B | 300 V | 8 A | - | - |
| Use group D | 300 V | 8 A | - | - |

| cULus Recognized | | | | |
|-------------------------|--|--|--|--|
|-------------------------|--|--|--|--|

ME 22,5 UT/FE BUS/10 GN - Mounting base housing



2908755

<https://www.phoenixcontact.com/pc/products/2908755>

Classifications

ECLASS

| | |
|-------------|----------|
| ECLASS-11.0 | 27182702 |
| ECLASS-13.0 | 27190601 |

ETIM

| | |
|----------|----------|
| ETIM 9.0 | EC001031 |
|----------|----------|

UNSPSC

| | |
|-------------|----------|
| UNSPSC 21.0 | 31261500 |
|-------------|----------|

ME 22,5 UT/FE BUS/10 GN - Mounting base housing



2908755

<https://www.phoenixcontact.com/pc/products/2908755>

Environmental product compliance

EU RoHS

| | |
|---|--------------------|
| Fulfills EU RoHS substance requirements | Yes, No exemptions |
|---|--------------------|

China RoHS

| | |
|--|--|
| Environment friendly use period (EFUP) | EFUP-E |
| | No hazardous substances above the limits |

EU REACH SVHC

| | |
|-------------------------------------|----------------------------|
| REACH candidate substance (CAS No.) | No substance above 0.1 wt% |
|-------------------------------------|----------------------------|

Phoenix Contact 2024 © - all rights reserved
<https://www.phoenixcontact.com>

PHOENIX CONTACT GmbH & Co. KG
Flachmarktstraße 8
D-32825 Blomberg
+49 (0) 5235-3 00
info@phoenixcontact.com