

VAL-US-48/40/1+1V-FM - Type 2 surge protection device



2910344

<https://www.phoenixcontact.com/us/products/2910344>

Please be informed that the data shown in this PDF document is generated from our online catalog. Please find the complete data in the user documentation. Our general terms of use for downloads are valid.



Surge protective device, two channels with remote indicator contact for 48 V DC, 2-wire plus ground

Commercial data

Item number	2910344
Packing unit	1 pc
Minimum order quantity	1 pc
Sales key	CL17
Product key	CL132U
Catalog page	Page 90 (C-4-2019)
GTIN	4055626444864
Weight per piece (including packing)	214.3 g
Weight per piece (excluding packing)	190 g
Customs tariff number	85363030
Country of origin	DE

VAL-US-48/40/1+1V-FM - Type 2 surge protection device



2910344

<https://www.phoenixcontact.com/us/products/2910344>

Technical data

Product properties

Product type	Surge protection for NEMA power supply units
Product family	VALVETRAB US
IEC test classification	II
	T2
EN type	T2
IEC power supply system	DC
Type	DIN rail module, two-section, divisible
Number of positions	2
Surge protection fault message	Optical, remote indicator contact

Insulation characteristics

Overvoltage category	III
Pollution degree	2

Electrical properties

Indicator/remote signaling

Connection name	Remote fault indicator contact
Switching function	Changeover contact
Operating voltage	5 V AC ... 250 V AC
	30 V DC
Operating current	5 mA AC ... 1.5 A AC
	1 A DC

Connection data

Connection method	Screw connection
Screw thread	M5
Tightening torque	4.5 Nm (1.5 mm ² ... 16 mm ²)
	4.5 Nm (25 mm ² ... 35 mm ²)
Stripping length	16 mm
Conductor cross section flexible	1.5 mm ² ... 25 mm ²
Conductor cross section rigid	1.5 mm ² ... 35 mm ²
Conductor cross section AWG	15 ... 2

Remote fault indicator contact

Connection method	Screw connection
Screw thread	M2
Tightening torque	0.25 Nm
Stripping length	7 mm
Conductor cross section flexible	0.14 mm ² ... 1.5 mm ²
Conductor cross section rigid	0.14 mm ² ... 1.5 mm ²
Conductor cross section AWG	28 ... 16

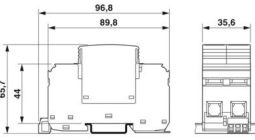
VAL-US-48/40/1+1V-FM - Type 2 surge protection device



2910344

<https://www.phoenixcontact.com/us/products/2910344>

Dimensions

Dimensional drawing	
Width	35.6 mm
Height	96.8 mm
Depth	65.7 mm (incl. DIN rail 7.5 mm)
Horizontal pitch	2 Div.

Material specifications

Color	black (RAL 9005)
Flammability rating according to UL 94	V-0
CTI value of material	600
Insulating material	PA 6.6/PBT
Material group	I
Housing material	PA 6.6 PBT

Protective circuit

Mode of protection	(DC+) - (DC-) (DC+/DC-) - PE
Direction of action	1L-N & N-GND
Nominal voltage U_N	60 V AC $\pm 10\%$ (TN-S) 60 V DC $\pm 10\%$ -48 V DC $\pm 10\%$ (RRH)
Maximum continuous voltage U_C	100 V DC
Rated load current I_L	80 A
Residual current I_{PE}	≤ 0.45 mA
Nominal discharge current I_n (8/20) μ s	15 kA
Short-circuit current rating I_{SCCR}	5 kA
Voltage protection level U_p (DC+) - (DC-)	≤ 0.55 kV
Voltage protection level U_p (DC+/DC-) - PE	≤ 0.55 kV
Residual voltage U_{res}	≤ 0.55 kV (at I_n) ≤ 0.425 kV (at 10 kA) ≤ 0.325 kV (at 5 kA) ≤ 0.275 kV (at 3 kA)
Response time t_A	≤ 25 ns
Max. backup fuse with V-type through wiring	80 A (gG)
Max. backup fuse with branch wiring	125 A (gG)

Environmental and real-life conditions

VAL-US-48/40/1+1V-FM - Type 2 surge protection device



2910344

<https://www.phoenixcontact.com/us/products/2910344>

Ambient conditions

Degree of protection	IP20 (only when all terminal points are used)
Ambient temperature (operation)	-40 °C ... 80 °C
Ambient temperature (storage/transport)	-40 °C ... 80 °C
Altitude	≤ 2000 m (amsl)
Permissible humidity (operation)	5 % ... 95 %
Shock (operation)	25g (Half-sine / 11 ms / 3x ±X, ±Y, ±Z)
Vibration (operation)	5g (10 ... 500 Hz / 2.5 h / X, Y, Z)

Approvals

UL specifications

UL type	type 4
Nominal discharge current I_n	20 kA
Maximum Surge Current per Phase	40 kA
Mode of protection	(DC+) - (DC-) (DC+) - G
Nominal voltage	60 V DC
Power distribution system	DC
SPD Type	4CA

UL indicator/remote signaling

Operating voltage	125 V AC
AC operating current	1 A AC

UL connection data

Tightening torque	30 lb _f -in.
Conductor cross section AWG	14 ... 2

Standards and regulations

Air clearances and creepage distances

Standards/regulations	EN 60664-1 / EN 61643-11
Standards/specifications	IEC 61643-11
Note	2011
Standards/specifications	EN 61643-11
Note	2012

Mounting

Mounting type	DIN rail: 35 mm
---------------	-----------------

VAL-US-48/40/1+1V-FM - Type 2 surge protection device



2910344

<https://www.phoenixcontact.com/us/products/2910344>

Phoenix Contact 2024 © - all rights reserved

<https://www.phoenixcontact.com>

Phoenix Contact USA
586 Fulling Mill Road
Middletown, PA 17057, United States
(+717) 944-1300
info@phoenixcon.com