

# EMG 22-REL/KSR-G 24/TRP35 - Hybrid relay



2952169

<https://www.phoenixcontact.com/us/products/2952169>

Please be informed that the data shown in this PDF document is generated from our online catalog. Please find the complete data in the user documentation. Our general terms of use for downloads are valid.



Relay module, with miniature switching relay, with integrated PNP transistor control, for low control currents, contact (AgNi): medium to large loads, 1 changeover contact, nominal control voltage 24 V DC

## Your advantages

- Low control current (terminal block B), type-dependent from 0.5 mA
- Safe isolation between coil and contact side
- Integrated input circuit and interference suppression circuit
- Type-dependent positive or negative control current

## Commercial data

Item number	2952169
Packing unit	1 pc
Note	Made to order (non-returnable)
Sales key	C460
Product key	CK61A1
Catalog page	Page 455 (C-5-2017)
GTIN	4017918084332
Weight per piece (including packing)	64.43 g
Weight per piece (excluding packing)	64.43 g
Customs tariff number	85364190
Country of origin	DE

# EMG 22-REL/KSR-G 24/TRP35 - Hybrid relay



2952169

<https://www.phoenixcontact.com/us/products/2952169>

## Technical data

### Product properties

Product type	Relay Module
Application	Universal
Operating mode	100% operating factor
Mechanical service life	approx. $5 \times 10^7$ cycles

### Insulation characteristics

Insulation	Basic insulation
------------	------------------

### Insulation characteristics

Insulation	Basic insulation
Overvoltage category	III
Pollution degree	2

### Electrical properties

Maximum power dissipation for nominal condition	0.5 W
Test voltage (Winding/contact)	4 kV AC (50 Hz, 1 min., winding/contact)

### Input data

#### Coil side

Nominal input voltage $U_N$	24 V DC
Input voltage range	21.6 V DC ... 26.4 V DC
Input voltage range in reference to $U_N$	0.9 ... 1.1
Drive and function	monostable
Typical input current at $U_N$	21 mA
Typical response time	9 ms
Typical release time	10 ms
Protective circuit	Reverse polarity protection; Polarity protection diode Freewheeling diode; Freewheeling diode
Operating voltage display	Yellow LED
Nominal control voltage	24 V DC
Minimum control voltage	-17.5 V DC
Maximum control voltage	-38.5 V DC
Minimum control current	0.6 mA
Maximum control current	1.4 mA

#### Control

Nominal control voltage	24 V DC
Minimum control voltage	-17.5 V DC
Maximum control voltage	-38.5 V DC
Minimum control current	0.6 mA
Maximum control current	1.4 mA

# EMG 22-REL/KSR-G 24/TRP35 - Hybrid relay



2952169

<https://www.phoenixcontact.com/us/products/2952169>

## Output data

### Switching

Contact switching type	Single contact, 1 changeover contact
Type of switch contact	Single contact
Contact material	AgNi
Maximum switching voltage	250 V AC/DC
Limiting continuous current	5 A
Maximum inrush current	8 A
Interrupting rating (ohmic load) max.	120 W (at 24 V DC)
	60 W (at 48 V DC)
	50 W (at 60 V DC)
	50 W (at 110 V DC)
	80 W (at 220 V DC)
	1250 VA (for 250 V AC)

## Connection data

### Coil side

Connection method	Screw connection
Stripping length	8 mm
Screw thread	M3
Conductor cross section rigid	0.2 mm <sup>2</sup> ... 4 mm <sup>2</sup>
Conductor cross section flexible	0.2 mm <sup>2</sup> ... 2.5 mm <sup>2</sup>
Conductor cross section AWG	24 ... 12

### Contact side

Connection method	Screw connection
Stripping length	8 mm
Screw thread	M3
Conductor cross section rigid	0.2 mm <sup>2</sup> ... 4 mm <sup>2</sup>
Conductor cross section flexible	0.2 mm <sup>2</sup> ... 2.5 mm <sup>2</sup>
Conductor cross section AWG	24 ... 12

## Dimensions

Width	22.5 mm
Height	75 mm
Depth	62.5 mm

## Material specifications

Color	green (RAL 6021)
-------	------------------

## Environmental and real-life conditions

### Ambient conditions

Ambient temperature (operation)	-20 °C ... 50 °C
---------------------------------	------------------

# EMG 22-REL/KSR-G 24/TRP35 - Hybrid relay



2952169

<https://www.phoenixcontact.com/us/products/2952169>

Ambient temperature (storage/transport)	-20 °C ... 70 °C
---	------------------

## Standards and regulations

Standards/regulations	IEC 60664
	IEC 60664-1

## Mounting

Mounting type	DIN rail mounting
Assembly instructions	in rows with zero spacing
Mounting position	any

# EMG 22-REL/KSR-G 24/TRP35 - Hybrid relay

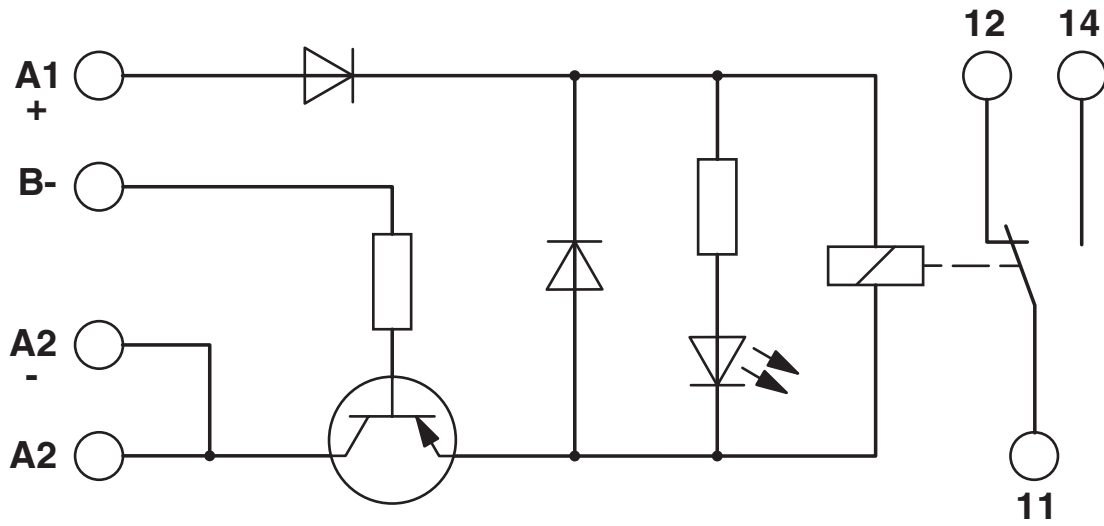


2952169

<https://www.phoenixcontact.com/us/products/2952169>

## Drawings

Circuit diagram



# EMG 22-REL/KSR-G 24/TRP35 - Hybrid relay



2952169

<https://www.phoenixcontact.com/us/products/2952169>

## Classifications

### ECLASS

ECLASS-11.0	27371601
-------------	----------

### UNSPSC

UNSPSC 21.0	39122334
-------------	----------

# EMG 22-REL/KSR-G 24/TRP35 - Hybrid relay



2952169

<https://www.phoenixcontact.com/us/products/2952169>

## Environmental product compliance

### EU RoHS

Fulfills EU RoHS substance requirements	Yes
Exemption	7(a), 7(c)-I

### China RoHS

Environment friendly use period (EFUP)	EFUP-50
	An article-related China RoHS declaration table can be found in the download area for the respective article under "Manufacturer declaration". For all articles with EFUP-E, no China RoHS declaration table issued and required.

### EU REACH SVHC

REACH candidate substance (CAS No.)	Lead(CAS: 7439-92-1)
-------------------------------------	----------------------

# EMG 22-REL/KSR-G 24/TRP35 - Hybrid relay



2952169

<https://www.phoenixcontact.com/us/products/2952169>

## Accessories

### EMG-GKS 12 - Marking material

2947035

<https://www.phoenixcontact.com/us/products/2947035>



Device marking label, width: 12 mm, area: 12 x 8 mm, e.g. for EML(10x7) R adhesive marking material

---

Phoenix Contact 2024 © - all rights reserved  
<https://www.phoenixcontact.com>

Phoenix Contact USA  
586 Fulling Mill Road  
Middletown, PA 17057, United States  
(+717) 944-1300  
[info@phoenixcon.com](mailto:info@phoenixcon.com)