

# DEK-OE- 5DC/ 24DC/100KHZ - Solid-state relay terminal block



2964270

<https://www.phoenixcontact.com/il/products/2964270>

Please be informed that the data shown in this PDF document is generated from our online catalog. Please find the complete data in the user documentation. Our general terms of use for downloads are valid.



Input solid-state relay, transmission frequency: 100 kHz, with LED and protective circuit in input and output circuits, input: 5 V DC, output: 4 - 30 V DC/50 mA

## Your advantages

- With capacitor on the input side for interference suppression
- Limit frequency of up to 100 kHz
- Push/pull stage on output side
- Includes signal inputs on PLC counter boards

## Commercial data

Item number	2964270
Packing unit	10 pc
Minimum order quantity	1 pc
Product key	CK61D1
Catalog page	Page 452 (C-5-2019)
GTIN	4017918107406
Weight per piece (including packing)	21.46 g
Weight per piece (excluding packing)	21.46 g
Customs tariff number	85364190
Country of origin	CN

# DEK-OE- 5DC/ 24DC/100KHZ - Solid-state relay terminal block



2964270

<https://www.phoenixcontact.com/il/products/2964270>

## Technical data

### Notes

Note on application	Use of EB 80-DIK... bridges in the DEK terminal blocks: Absorption of humidity from the ambient air as well as an unfavorable tolerance between a larger number of DEK terminal blocks and the EB 80-DIK... bridge may cause (minor) expansion of the DEK housing. When the EB 80-DIK... bridges are used, therefore, it is recommended that these be disconnected after about 10 to 12 DEK terminal blocks and a wire bridge to the next DEK terminal block be inserted in their place.
---------------------	--

### Product properties

Product type	Solid-state relay module
Product family	DEK
Application	100 kHz input optocoupler
Operating mode	100% operating factor

### Insulation characteristics

Insulation	Basic insulation
------------	------------------

### Insulation characteristics

Insulation	Basic insulation
Overvoltage category	II
Pollution degree	2

### Electrical properties

Test voltage (Input/output)	2.5 kV AC (Input/output)
-----------------------------	--------------------------

### Input data

Nominal input voltage $U_N$	5 V DC
Input voltage range in reference to $U_N$	0.8 ... 1.2
Input voltage range	4 V DC ... 6 V DC
Switching threshold "0" signal in reference to $U_N$	$\leq 0.4$
Switching threshold "1" signal in reference to $U_N$	$\geq 0.8$
Typical input current at $U_N$	7 mA
Typical response time	1.5 $\mu$ s
Typical turn-off time	2 $\mu$ s
Operating voltage display	Yellow LED
Protective circuit	Reverse polarity protection; Polarity protection diode Surge protection
Transmission frequency	100 kHz

### Output data

Contact switching type	1 N/O contact
------------------------	---------------

# DEK-OE- 5DC/ 24DC/100KHZ - Solid-state relay terminal block



2964270

<https://www.phoenixcontact.com/il/products/2964270>

Design of digital output	electronic
Output voltage range	4 V DC ... 30 V DC
Limiting continuous current	50 mA
Quiescent current	4.3 mA
Voltage drop at max. limiting continuous current	≤ 0.5 V DC
Output circuit	3-conductor, ground-referenced
Protective circuit	Surge protection; Suppressor diode

## Connection data

Connection method	Screw connection
Stripping length	8 mm
Screw thread	M3
Conductor cross section rigid	0.2 mm <sup>2</sup> ... 2.5 mm <sup>2</sup>
Conductor cross section flexible	0.2 mm <sup>2</sup> ... 2.5 mm <sup>2</sup>
Conductor cross section AWG	24 ... 14
Tightening torque	0.5 Nm

## Dimensions

Width	6.2 mm
Height	80 mm
Depth	56 mm

## Material specifications

Color	green (RAL 6021)
-------	------------------

## Environmental and real-life conditions

### Ambient conditions

Ambient temperature (operation)	-20 °C ... 60 °C
Ambient temperature (storage/transport)	-20 °C ... 70 °C

## Standards and regulations

Standards/regulations	IEC 60947-5-1
-----------------------	---------------

## Mounting

Mounting type	DIN rail mounting
Assembly instructions	in rows with zero spacing
Mounting position	any

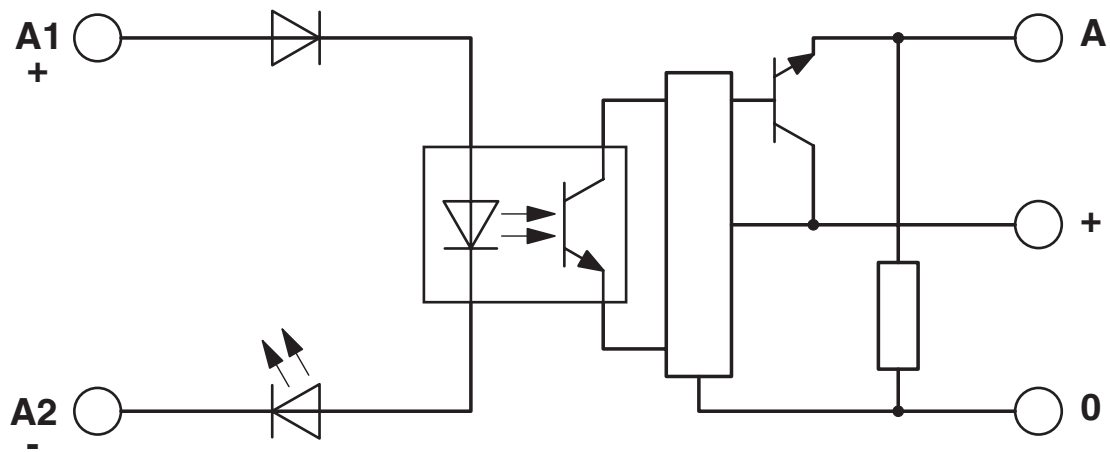
# DEK-OE- 5DC/ 24DC/100KHZ - Solid-state relay terminal block

2964270

<https://www.phoenixcontact.com/il/products/2964270>

## Drawings

Circuit diagram



# DEK-OE- 5DC/ 24DC/100KHZ - Solid-state relay terminal block



2964270

<https://www.phoenixcontact.com/il/products/2964270>

## Approvals

To download certificates, visit the product detail page: <https://www.phoenixcontact.com/il/products/2964270>



**EAC**

Approval ID: TR\_TS\_D\_00573\_c

# DEK-OE- 5DC/ 24DC/100KHZ - Solid-state relay terminal block



2964270

<https://www.phoenixcontact.com/il/products/2964270>

## Classifications

### ECLASS

ECLASS-11.0	27371604
ECLASS-12.0	27371604
ECLASS-13.0	27371604

### ETIM

ETIM 9.0	EC001504
----------	----------

### UNSPSC

UNSPSC 21.0	39122300
-------------	----------

# DEK-OE- 5DC/ 24DC/100KHZ - Solid-state relay terminal block



2964270

<https://www.phoenixcontact.com/il/products/2964270>

## Environmental product compliance

### EU RoHS

Fulfills EU RoHS substance requirements	Yes
Exemption	7(a), 7(c)-I

### China RoHS

Environment friendly use period (EFUP)	EFUP-50
	An article-related China RoHS declaration table can be found in the download area for the respective article under "Manufacturer declaration". For all articles with EFUP-E, no China RoHS declaration table issued and required.

### EU REACH SVHC

REACH candidate substance (CAS No.)	Hexahydromethylphthalic anhydride(CAS: n/a)
	Lead(CAS: 7439-92-1)
SCIP	0322b25c-94e1-4255-b5ee-40a474c4bee6

Phoenix Contact 2024 © - all rights reserved  
<https://www.phoenixcontact.com>

PHOENIX CONTACT Israel Ltd.  
P.O.B. 1799 Industrial Park Hasharon  
Quadima 60920  
+972-9-8915700  
[info@phoenixcontact.co.il](mailto:info@phoenixcontact.co.il)