

DEK-TR/INV - Switching amplifier



2964319

<https://www.phoenixcontact.com/us/products/2964319>

Please be informed that the data shown in this PDF document is generated from our online catalog. Please find the complete data in the user documentation. Our general terms of use for downloads are valid.



Inverter module. The inverter module inverts the signals of ground switching n-p-n transistor outputs into plus switching p-n-p outputs, and vice versa.

Your advantages

- The DEK-TR/INV inverter module inverts the signals of ground switching NPN transistor outputs into positive switching PNP outputs and vice versa

Commercial data

Item number	2964319
Packing unit	1 pc
Minimum order quantity	1 pc
Sales key	C460
Product key	CK6153
Catalog page	Page 455 (C-5-2019)
GTIN	4017918176068
Weight per piece (including packing)	20.61 g
Weight per piece (excluding packing)	19.9 g
Customs tariff number	85364190
Country of origin	CN

Technical data

Notes

General	Use of EB 80-DIK... bridges in the DEK terminal blocks: Absorption of humidity from the ambient air as well as an unfavorable tolerance between a larger number of DEK terminal blocks and the EB 80-DIK... bridge may cause (minor) expansion of the DEK housing. When the EB 80-DIK... bridges are used, therefore, it is recommended that these be disconnected after about 10 to 12 DEK terminal blocks and a wire bridge to the next DEK terminal block be inserted in their place.
---------	---

Product properties

Product type	Solid-state relay module
Product family	DEK
Application	Inverter module

Insulation characteristics

Overvoltage category	II
Pollution degree	2

Electrical properties

Maximum power dissipation for nominal condition	4.8 W
---	-------

Supply

Supply voltage range	20 V DC ... 30 V DC
----------------------	---------------------

Input data

Typical input current at U_N	200 mA
Transmission frequency	15 kHz

NPN

Switching threshold "1" signal voltage	< 5 V (at $U_V = 24$ V; < ($U_V - 19$ V))
Switching threshold "0" signal, voltage	> 15 V (at $U_V = 24$ V; > ($U_V - 9$ V))
Min. voltage input signal	-2 V
Max. voltage input signal	26 V (at $U_V = 24$ V; $U_V + 2$ V)

PNP

Switching threshold "1" signal voltage	> 19 V
Switching threshold "0" signal, voltage	< 9 V
Min. voltage input signal	-2 V
Max. voltage input signal	26 V (at $U_V = 24$ V; $U_V + 2$ V)

Output data

Continuous load current	200 mA
Leakage current	< 1 mA
Residual voltage	< 1 V
Transmission frequency	15 kHz

DEK-TR/INV - Switching amplifier



2964319

<https://www.phoenixcontact.com/us/products/2964319>

Contact switching type	1 N/O contact
Output nominal voltage	max. \pm 26 V

Connection data

Cross section AWG	(converted acc. to IEC)
Connection method	Screw connection
Stripping length	8 mm
Screw thread	M3
Conductor cross section rigid	0.2 mm ² ... 4 mm ²
Conductor cross section flexible	0.2 mm ² ... 2.5 mm ²
Conductor cross section AWG	24 ... 12

Dimensions

Width	6.2 mm
Height	80 mm
Depth	56 mm

Material specifications

Housing material	Polyamide PA non-reinforced
------------------	-----------------------------

Environmental and real-life conditions

Ambient conditions

Ambient temperature (operation)	-20 °C ... 50 °C
Ambient temperature (storage/transport)	-20 °C ... 70 °C

Standards and regulations

Standards/regulations	IEC 60947-5-1
-----------------------	---------------

Mounting

Mounting type	DIN rail mounting
Assembly instructions	in rows with zero spacing
Mounting position	any

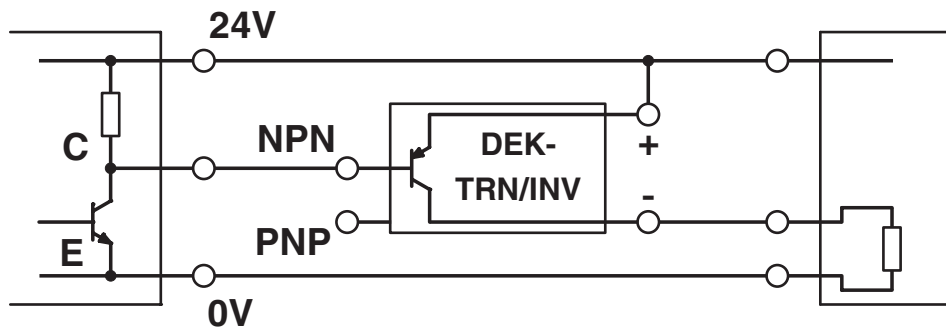
DEK-TR/INV - Switching amplifier

2964319

<https://www.phoenixcontact.com/us/products/2964319>

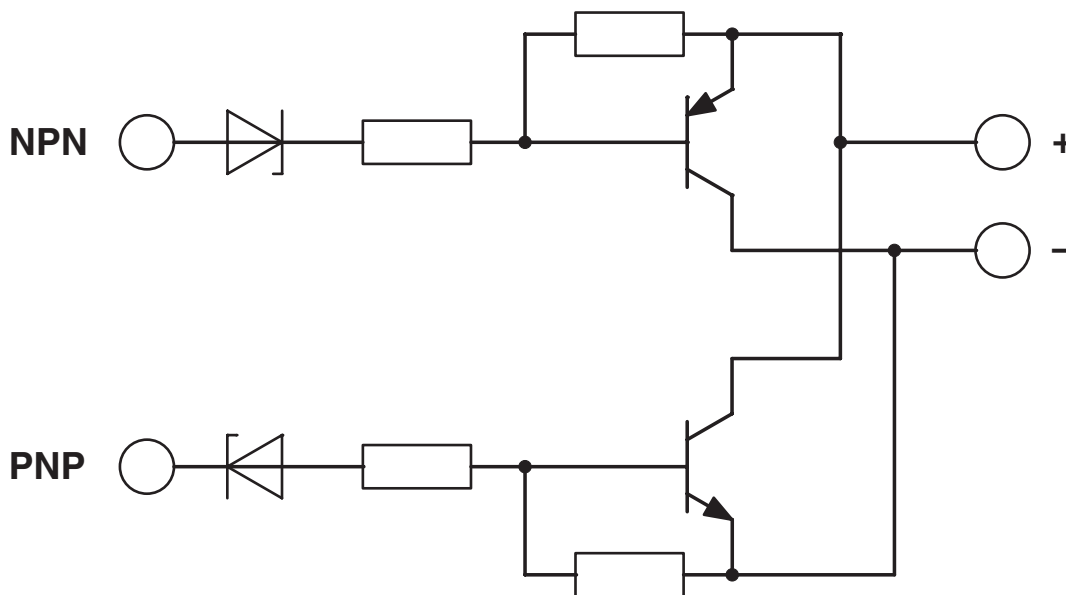
Drawings

Application drawing

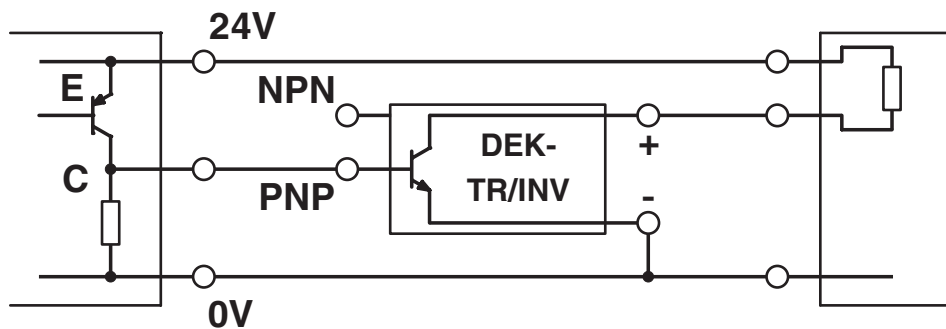


a = NPN output
b = load

Circuit diagram



Application drawing



DEK-TR/INV - Switching amplifier



2964319

<https://www.phoenixcontact.com/us/products/2964319>

Approvals

To download certificates, visit the product detail page: <https://www.phoenixcontact.com/us/products/2964319>



cUL Recognized
Approval ID: FILE E 238705



UL Recognized
Approval ID: FILE E 238705



EAC
Approval ID: RU C-DE.A*30.B.01742

cULus Recognized

DEK-TR/INV - Switching amplifier



2964319

<https://www.phoenixcontact.com/us/products/2964319>

Classifications

ECLASS

ECLASS-11.0	27371604
ECLASS-12.0	27371604
ECLASS-13.0	27371604

ETIM

ETIM 9.0	EC001504
----------	----------

UNSPSC

UNSPSC 21.0	39122300
-------------	----------

DEK-TR/INV - Switching amplifier



2964319

<https://www.phoenixcontact.com/us/products/2964319>

Environmental product compliance


China RoHS	Environmentally Friendly Use Period = 50 years For information on hazardous substances, refer to the manufacturer's declaration available under "Downloads"
------------	--

DEK-TR/INV - Switching amplifier

2964319

<https://www.phoenixcontact.com/us/products/2964319>

Accessories

 Note: Applying some accessories below might limit this product.


EB 2- DIK RD - Insertion bridge

2716693

<https://www.phoenixcontact.com/us/products/2716693>



Insertion bridge, pitch: 6.15 mm, number of positions: 2, color: red

 Max. current carrying capacity: 26 A


EB 3- DIK RD - Insertion bridge

2716745

<https://www.phoenixcontact.com/us/products/2716745>



Insertion bridge, pitch: 6.15 mm, number of positions: 3, color: red

 Max. current carrying capacity: 26 A

DEK-TR/INV - Switching amplifier

2964319

<https://www.phoenixcontact.com/us/products/2964319>


EB 4- DIK RD - Insertion bridge

2716758

<https://www.phoenixcontact.com/us/products/2716758>



Insertion bridge, pitch: 6.15 mm, number of positions: 4, color: red

 Max. current carrying capacity: 26 A

EB 5- DIK RD - Insertion bridge

2716761

<https://www.phoenixcontact.com/us/products/2716761>



Insertion bridge, pitch: 6.15 mm, number of positions: 5, color: red

 Max. current carrying capacity: 26 A

DEK-TR/INV - Switching amplifier

2964319

<https://www.phoenixcontact.com/us/products/2964319>




EB 10- DIK RD - Insertion bridge

2716774

<https://www.phoenixcontact.com/us/products/2716774>



Insertion bridge, pitch: 6.15 mm, number of positions: 10, color: red

 Max. current carrying capacity: 26 A


EB 80- DIK RD - Insertion bridge

2715953

<https://www.phoenixcontact.com/us/products/2715953>



Insertion bridge, pitch: 6.2 mm, number of positions: 80, color: red

 Max. current carrying capacity: 26 A

DEK-TR/INV - Switching amplifier

2964319

<https://www.phoenixcontact.com/us/products/2964319>




EB 5- DIK BU - Insertion bridge

2716677

<https://www.phoenixcontact.com/us/products/2716677>



Insertion bridge, pitch: 6.15 mm, number of positions: 5, color: blue

 Max. current carrying capacity: 26 A


EB 10- DIK BU - Insertion bridge

2716680

<https://www.phoenixcontact.com/us/products/2716680>



Insertion bridge, pitch: 6.15 mm, number of positions: 10, color: blue

 Max. current carrying capacity: 26 A

DEK-TR/INV - Switching amplifier

2964319

<https://www.phoenixcontact.com/us/products/2964319>




EB 80- DIK BU - Insertion bridge

2715940

<https://www.phoenixcontact.com/us/products/2715940>



Insertion bridge, pitch: 6.2 mm, number of positions: 80, color: blue

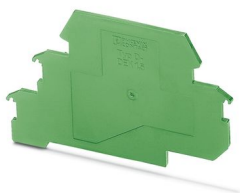
 Max. current carrying capacity: 26 A

D-DEK 1,5 GN - Separating plate

2716949

<https://www.phoenixcontact.com/us/products/2716949>

Cover for setting the end of a terminal row, color: green



DEK-TR/INV - Switching amplifier

2964319

<https://www.phoenixcontact.com/us/products/2964319>



ZB 6:UNBEDRUCKT - Zack marker strip

1051003

<https://www.phoenixcontact.com/us/products/1051003>



Zack marker strip, Strip, white, unlabeled, can be labeled with: PLOTMARK, CMS-P1-PLOTTER, mounting type: snapped, for terminal block width: 6.2 mm, lettering field size: 6.15 x 10.5 mm, Number of individual labels: 10

ZB 6,LGS:FORTL.ZAHLEN - Zack marker strip

1051016

<https://www.phoenixcontact.com/us/products/1051016>



Zack marker strip, Strip, white, labeled, can be labeled with: CMS-P1-PLOTTER, printed horizontally: consecutive numbers 1 ... 10, 11 ... 20, etc. up to 491 ... 500, mounting type: snapped, for terminal block width: 6.2 mm, lettering field size: 6.15 x 10.5 mm, Number of individual labels: 10

DEK-TR/INV - Switching amplifier

2964319

<https://www.phoenixcontact.com/us/products/2964319>



ZB 6/WH-100:UNBEDRUCKT - Zack marker strip

5060935

<https://www.phoenixcontact.com/us/products/5060935>

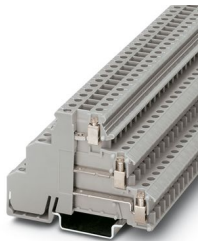


Zack marker strip, Strip, white, unlabeled, can be labeled with: PLOTMARK, CMS-P1-PLOTTER, mounting type: snapped, for terminal block width: 6.2 mm, lettering field size: 6.15 x 10.5 mm, Number of individual labels: 1000

DIKD 1,5 - Sensor/actuator terminal block

2715979

<https://www.phoenixcontact.com/us/products/2715979>



Sensor/actuator terminal block, nom. voltage: 250 V, nominal current: 24 A, connection method: Screw connection, 1st, 2nd and 3rd level, Rated cross section: 2.5 mm², cross section: 0.2 mm² - 4 mm², mounting type: NS 35/7,5, NS 35/15, color: gray

Phoenix Contact 2023 © - all rights reserved
<https://www.phoenixcontact.com>

Phoenix Contact USA
586 Fulling Mill Road
Middletown, PA 17057, United States
(+717) 944-1300
info@phoenixcon.com