

PLC-BSC- 24DC/ 1/ACT - Relay base



2966058

<https://www.phoenixcontact.com/cn/products/2966058>

Please be informed that the data shown in this PDF document is generated from our online catalog. Please find the complete data in the user documentation. Our general terms of use for downloads are valid.



6.2 mm PLC basic terminal block for output functions with screw connection, without relay or solid-state relay, for mounting on DIN rail NS 35/7,5, with load return line connection (BB), 1 N/O contact, input voltage 24 V DC

Commercial data

Item number	2966058
Packing unit	10 pc
Minimum order quantity	1 pc
Sales key	CK6211
Product key	CK6211
GTIN	4017918130817
Weight per piece (including packing)	34.5 g
Weight per piece (excluding packing)	34.5 g
Customs tariff number	8538900000
Country of origin	DE

PLC-BSC- 24DC/ 1/ACT - Relay base



2966058

<https://www.phoenixcontact.com/cn/products/2966058>

Technical data

Notes

Utilization restriction

EMC note	EMC: class A product, see manufacturer's declaration in the download area
----------	---

Product properties

Product type	Relay socket
Product family	PLC-INTERFACE
Application	Output function
Operating mode	100% operating factor

Insulation characteristics

Pollution degree	3
------------------	---

Electrical properties

Protective circuit	Damping diode, polarity protection diode
--------------------	--

Input data

Nominal input voltage U_N	24 V DC
Protective circuit	Freewheeling diode

Connection data

Connection method	Screw connection
Stripping length	8 mm
Screw thread	M3
Conductor cross section rigid	0.14 mm ² ... 2.5 mm ²
Conductor cross section flexible	0.14 mm ² ... 2.5 mm ²
	0.2 mm ² ... 2.5 mm ² (Single ferrule)
	2x 0.5 mm ² ... 1.5 mm ² (TWIN ferrule)
Conductor cross section AWG	26 ... 14
Tightening torque	0.6 Nm ... 0.8 Nm

Signaling

Status display	LED
----------------	-----

Dimensions

Width	6.2 mm
Height	80 mm
Depth	94 mm

Material specifications

Color	gray (RAL 7042)
-------	-----------------

PLC-BSC- 24DC/ 1/ACT - Relay base



2966058

<https://www.phoenixcontact.com/cn/products/2966058>

Flammability rating according to UL 94	V0 (Housing)
--	--------------

Environmental and real-life conditions

Ambient conditions

Ambient temperature (operation)	-40 °C ... 60 °C
Ambient temperature (storage/transport)	-40 °C ... 85 °C

Approvals

CE

Certificate	CE-compliant
-------------	--------------

UKCA

Certificate	UKCA-compliant
-------------	----------------

Shipbuilding approval

Certificate	TAE0000196
-------------	------------

Corrosive gas test

Identification	ISA-S71.04. G3 Harsh Group
	EN 60068-2-60

DNV GL data

Temperature	D
Humidity	A
Vibration	B/C
EMC	B
Enclosure	Required protection according to the Rules shall be provided upon installation on board

EMC data

Low Voltage Directive	Conformance with Low Voltage Directive
Electromagnetic compatibility	Conformance with EMC directive

Mounting

Mounting type	DIN rail mounting
Assembly instructions	in rows with zero spacing
Mounting position	any

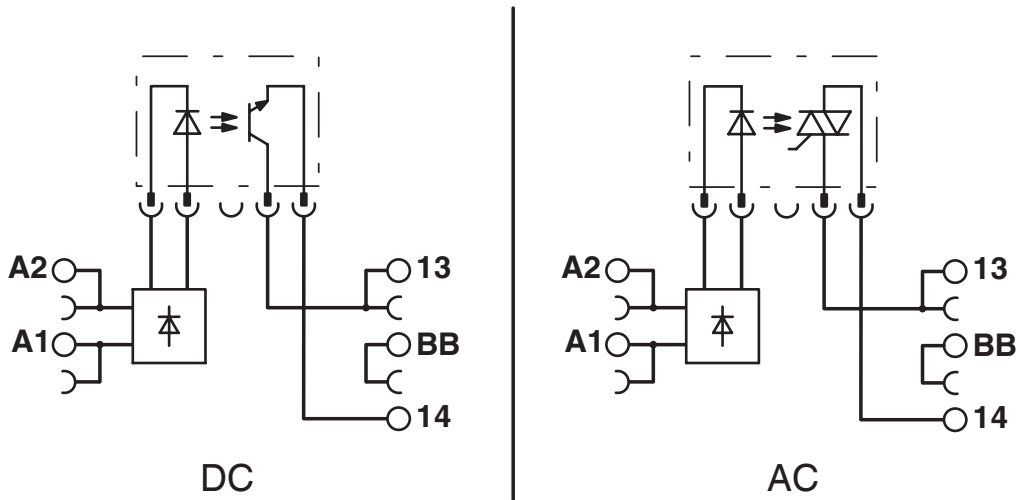
PLC-BSC- 24DC/ 1/ACT - Relay base

2966058

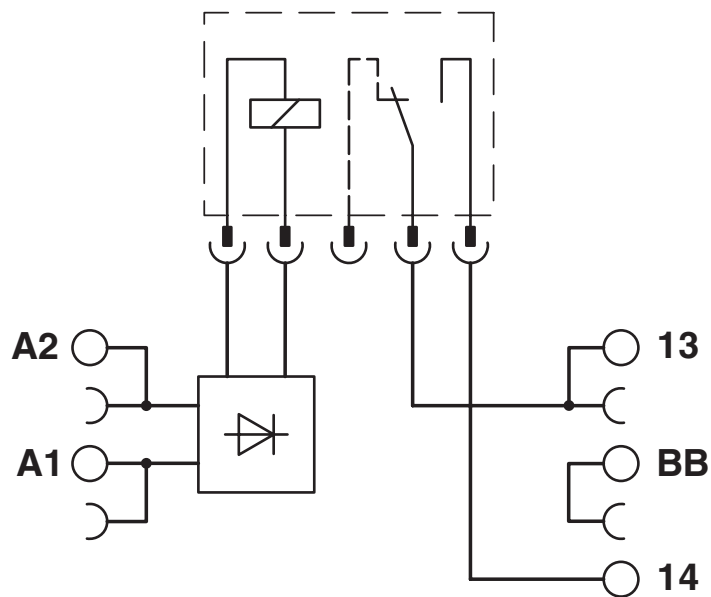
<https://www.phoenixcontact.com/cn/products/2966058>

Drawings

Circuit diagram



Circuit diagram



PLC-BSC- 24DC/ 1/ACT - Relay base



2966058

<https://www.phoenixcontact.com/cn/products/2966058>

Approvals

To download certificates, visit the product detail page: <https://www.phoenixcontact.com/cn/products/2966058>



cUL Recognized

Approval ID: FILE E 238705



UL Recognized

Approval ID: FILE E 238705



EAC

Approval ID: RU D-DE.B*00573/18



DNV GL

Approval ID: TAE0000196

cULus Recognized

PLC-BSC- 24DC/ 1/ACT - Relay base



2966058

<https://www.phoenixcontact.com/cn/products/2966058>

Classifications

ECLASS

ECLASS-11.0	27371603
ECLASS-12.0	27371603
ECLASS-13.0	27371603

ETIM

ETIM 9.0	EC001456
----------	----------

UNSPSC

UNSPSC 21.0	39122300
-------------	----------

PLC-BSC- 24DC/ 1/ACT - Relay base



2966058

<https://www.phoenixcontact.com/cn/products/2966058>

Environmental product compliance

REACH SVHC	Lead 7439-92-1
	Hexahydromethylphthalic anhydride
China RoHS	Environmentally Friendly Use Period = 50 years
	For information on hazardous substances, refer to the manufacturer's declaration available under "Downloads"

Phoenix Contact 2024 © - all rights reserved
<https://www.phoenixcontact.com>

菲尼克斯（中国）投资有限公司总部
南京市江宁经济开发区菲尼克斯路36号
（江宁236信箱）邮编：211100
025-52121888
phoenix@phoenixcontact.com.cn