

Please note that the data given here has been taken from the online catalog. For comprehensive information and data, please refer to the user documentation at <http://www.download.phoenixcontact.com>. The General Terms and Conditions of Use apply to Internet downloads.

► Extract from the online catalog



PLC interface, consisting of base terminal block PLC-BSC with screw connection and pluggable miniature optocoupler, for mounting on mounting rail NS 35/7.5, input: 24 V DC, output: 24-253 V AC/ 0.75 A

The illustration shows the version PLC-BSC- 24DC/21

| | |
|--------------------------|-----------------------|
| Order No. | 2967840 |
| Ord designation | PLC-OSC- 24DC/230AC/1 |
| EAN | 4017918190644 |
| Pack | 10 Pcs. |
| Customs tariff | 85364190 |
| Weight/Piece | 0.03423 KG |
| Catalog page information | Page 69 (IF-2007) |

► Product notes

WEEE/RoHS-compliant since: 05/23/2007



IMPORTANT : This date is valid for Customers in Germany only. Date Format is MM/DD/YYYY. Please contact your local in-country Phoenix Contact location or designated business partner for a Logistics Compliant date in your area. In order to guarantee delivery of RoHS-Compliant product, please purchase Phoenix Contact parts from authorized Phoenix Contact representatives and distributors.

▶ Technical data

Input data

| | |
|--|---------------------------|
| Nominal input voltage U_N | 24 V DC |
| Input voltage range in reference to U_N | 0.8 ... 1.2 |
| Switching threshold "0" signal in reference to U_N | ≤ 0.25 |
| Switching threshold "1" signal in reference to U_N | ≥ 0.8 |
| Typical input current at U_N | 8 mA |
| Typical response time | 10 ms (at U_N) |
| Typical turn-off time | 10 ms (at U_N) |
| Operating voltage display | Yellow LED |
| Name of protection | Polarity protection |
| Name of protection | Free-wheeling diode |
| Protective circuit/component | Polarity protection diode |
| Protective circuit/component | Damping diode |
| Transmission frequency | 10 Hz |

Output data

| | |
|--|---------------------------|
| Output nominal voltage range | 24 V AC ... 253 V AC |
| Limiting continuous current | 0.75 A |
| Maximum inrush current | 30 A (10 ms) |
| Min. load current | 10 mA |
| Leakage current | < 1 mA |
| Max. load value | $4.5 \text{ A}^2\text{s}$ |
| Voltage drop at max. limiting continuous current | < 1 V |
| Output circuit | 2-conductor floating |
| Name of protection | RCV circuit |

Connection data

| | |
|--|---------------------|
| Type of connection | Screw connection |
| Stripping length | 8 mm |
| Screw thread | M 3 |
| Conductor cross section solid min. | 0.14 mm^2 |
| Conductor cross section solid max. | 2.5 mm^2 |
| Conductor cross section stranded min. | 0.14 mm^2 |
| Conductor cross section stranded max. | 2.5 mm^2 |
| Conductor cross section AWG/kcmil min. | 26 |
| Conductor cross section AWG/kcmil max | 14 |

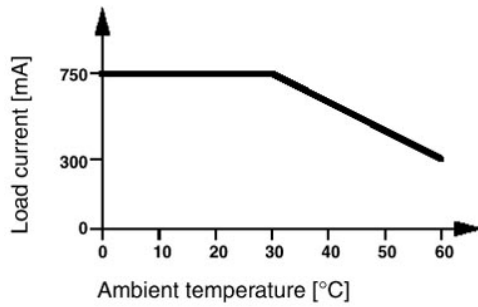
General data

| | |
|---|--|
| Length | 80 mm |
| Width | 6.2 mm |
| Height | 94 mm |
| Ambient temperature (operation) | $-25 \text{ }^\circ\text{C} \dots 60 \text{ }^\circ\text{C}$ |
| Ambient temperature (storage/transport) | $-40 \text{ }^\circ\text{C} \dots 85 \text{ }^\circ\text{C}$ |
| Installation position | Any |
| Assembly instructions | In rows with zero spacing |
| Operating mode | 100% operating factor |
| Contamination class | 2 |
| Surge voltage category | III |

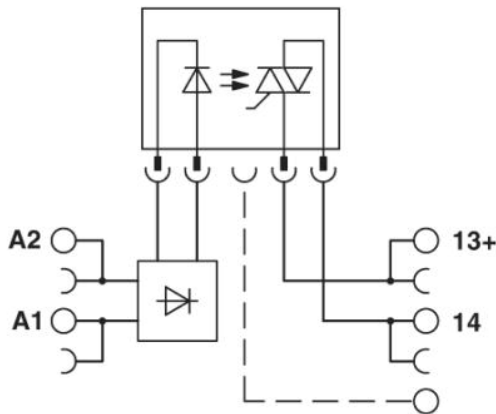
► Drawings

Diagram

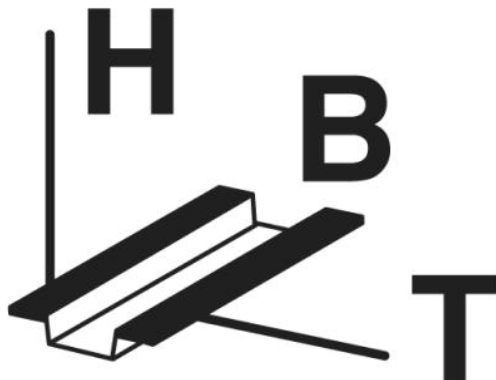
Derating curve for PLC power optocoupler and miniature optocoupler OPT-... with AC output



Circuit diagram



Logo



► Accessories

| Item | Designation | Description |
|----------------|-----------------|---|
| Bridges | | |
| 2966812 | FBST 6-PLC BU | Plug-in bridge, 2-pos., 6 mm long, insulated, for potential distribution with PLC, color of the insulation material: blue |
| 2966825 | FBST 6-PLC GY | Plug-in bridge, 2-pos., 6 mm long, insulated, for potential distribution with PLC, color of the insulation material: gray |
| 2966236 | FBST 6-PLC RD | Plug-in bridge, 2-pos., 6 mm long, insulated, for potential distribution with PLC, color of the insulation material: red |
| 2967688 | FBST 8-PLC GY | Plug-in bridge, 2-pos., 8 mm long, insulated, for potential distribution with PLC, with separating plate, color of the insulation material: gray |
| 2967691 | FBST 14-PLC BK | Plug-in bridge, 2-pos., 14 mm long, insulated, to increase efficiency with PLC...IC and PLC..HC, color of the insulation material: black |
| 2966692 | FBST 500-PLC BU | Continuous plug-in bridge, 500 mm long, insulated, can be cut to length, for potential distribution with PLC..., color of the insulating material: blue |
| 2966838 | FBST 500-PLC GY | Continuous plug-in bridge, 500 mm long, insulated, can be cut to length, for potential distribution with PLC..., color of the insulating material: gray |
| 2966786 | FBST 500-PLC RD | Continuous plug-in bridge, 500 mm long, insulated, can be cut to length, for potential distribution with PLC..., color of the insulating material: red |

► Address

PHOENIX CONTACT GmbH & Co. KG
Flachsmarktstr. 8
32825 Blomberg
Germany
Phone +49 5235 3 00
Fax +49 5235 3 41200
<http://www.phoenixcontact.de>
Phoenix Contact
Technical modifications reserved;