

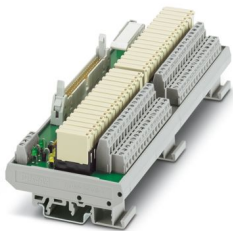
# UMK-32 RM/MR-G24/1/PLC - Active module



2979472

<https://www.phoenixcontact.com/sk/products/2979472>

Please be informed that the data shown in this PDF document is generated from our online catalog. Please find the complete data in the user documentation. Our general terms of use for downloads are valid.



VARIOFACE output module, with 32 miniature relays, 1 N/O contact each, plugged, for 24 V DC (incl. relay)

## Your advantages

- Narrow design width of just 55 mm (8 channels) or 202 mm (32 channels)
- Universal applications from 1 mA to 3 A continuous current thanks to 2-layer double contact with hard gold plating
- LED status indicator per signal path and supply voltage
- Freewheeling and polarity protection diode for each signal path
- Plug-in miniature relays each with an N/O contact

## Commercial data

Item number	2979472
Packing unit	1 pc
Minimum order quantity	1 pc
Sales key	CK2
Product key	CK2171
Catalog page	Page 524 (C-5-2019)
GTIN	4017918130367
Weight per piece (including packing)	459 g
Weight per piece (excluding packing)	403.83 g
Customs tariff number	85364190
Country of origin	DE

# UMK-32 RM/MR-G24/1/PLC - Active module



2979472

<https://www.phoenixcontact.com/sk/products/2979472>

## Technical data

### Product properties

Product type	Interface module
No. of channels	32
Operating mode	100% operating factor
Mechanical service life	2x 10 <sup>7</sup> cycles
Compatible components	Miniature relay, REL-MR-G 24/1
With components	yes

### Insulation characteristics

Overvoltage category	III
Pollution degree	2

### Electrical properties

Rated insulation voltage	300 V AC
Rated surge voltage	4 kV (Basic insulation)

### Supported controller SIEMENS S7-1500

Suitable I/O card	6ES7521-1BL00-0AB0
	6ES7522-1BL00-0AB0
	6ES7522-1BL01-0AB0

### Supported controller SIEMENS S7-400

Suitable I/O card	6ES7422-1BL00-0AA0
	6ES7422-7BL00-0AB0

### Supported controller ALLEN-BRADLEY PLC 5

Suitable I/O card	1771 OBN
-------------------	----------

### Supported controller EMERSON DeltaV

Suitable I/O card	VE4002S1T2B6
-------------------	--------------

### Supported controller GE-FANUC RX3i

Suitable I/O card	IC694MDL754
-------------------	-------------

### Supported controller HONEYWELL Experion PKS C200

Suitable I/O card	TC-ODD 321
-------------------	------------

### Supported controller MITSUBISHI MELSEC L

Suitable I/O card	LY41PT1P
	LY42PT1P

### Supported controller MITSUBISHI MELSEC Q

Suitable I/O card	QY81P
	QY82P

### Supported controller SCHNEIDER ELECTRIC Modicon TSX QUANTUM

# UMK-32 RM/MR-G24/1/PLC - Active module



2979472

<https://www.phoenixcontact.com/sk/products/2979472>

Suitable I/O card	DDO 353
Supported controller SIEMENS S7-300 / ET 200 M	
Suitable I/O card	6ES7322-1BL00-0AA0
Supported controller SIEMENS ET 200SP HA	
Suitable terminal block	6DL1193-6TP00-0BH1
	6DL1193-6TP00-0DH1
	6DL1193-6TP00-0BM1
	6DL1193-6TP00-0DM1
Suitable I/O module	6DL1131-6BL00-0PH1 (Terminal Block H1/M1)
	6DL1132-6BL00-0PH1 (Terminal Block H1/M1)

## Input data

Nominal input voltage $U_N$	24 V DC
Input voltage range in reference to $U_N$	0.8 ... 1.1
Input voltage range	19.2 V DC ... 26.4 V DC
Typical input current at $U_N$	6.5 mA
Typical response time	5 ms
Typical release time	15 ms
Protective circuit	Freewheeling diode; Freewheeling diode
	Reverse polarity protection; Polarity protection diode
Operating voltage display	Green LED
Status display/channel	Yellow LED

## Output data

Compatible components	Miniature relay, REL-MR-G 24/1
Switching	
Contact switching type	1 N/O contact
Type of switch contact	Double contact
Contact material	AgNi, 5 $\mu$ m hard gold-plated
Maximum switching voltage	250 V AC
	125 V DC
Minimum switching voltage	5 V
Limiting continuous current	3 A
Maximum inrush current	5 A
Min. switching current	1 mA
Interrupting rating (ohmic load) max.	72 W (24 V DC)
	60 W (48 V DC)
	50 W (60 V DC)
	50 W (110 V DC)
	750 VA (250 V AC)
Error detection (line break / short-circuit)	no

## Connection data

# UMK-32 RM/MR-G24/1/PLC - Active module



2979472

<https://www.phoenixcontact.com/sk/products/2979472>

## Controller level

Connection method	IDC/FLK pin strip
Number of connections	1
Number of positions	50
Pitch	2.54 mm

## Field level

Connection method	Screw connection
Stripping length	6 mm
Screw thread	M3
Number of connections	64
Conductor cross section rigid	0.14 mm <sup>2</sup> ... 1.5 mm <sup>2</sup>
Conductor cross section flexible	0.14 mm <sup>2</sup> ... 1.5 mm <sup>2</sup>
Conductor cross section AWG	26 ... 16

## Supply

Connection method	Screw connection
Stripping length	6 mm
Screw thread	M3
Number of connections	4
Number of positions	2
Conductor cross section rigid	0.14 mm <sup>2</sup> ... 1.5 mm <sup>2</sup>
Conductor cross section flexible	0.14 mm <sup>2</sup> ... 1.5 mm <sup>2</sup>
Conductor cross section AWG	26 ... 14

## Signaling

Status display present	Yes
------------------------	-----

## Dimensions

Width	202.5 mm
Height	77 mm
Depth	52.5 mm

## Material specifications

Color	gray (RAL 7042)
-------	-----------------

## Environmental and real-life conditions

### Ambient conditions

Degree of protection	IP00
Ambient temperature (operation)	-20 °C ... 50 °C
Ambient temperature (storage/transport)	-20 °C ... 70 °C

## Standards and regulations

Standards/regulations	EN 61010-2-201 IEC 60664
-----------------------	-----------------------------

# UMK-32 RM/MR-G24/1/PLC - Active module



2979472

<https://www.phoenixcontact.com/sk/products/2979472>

## Mounting

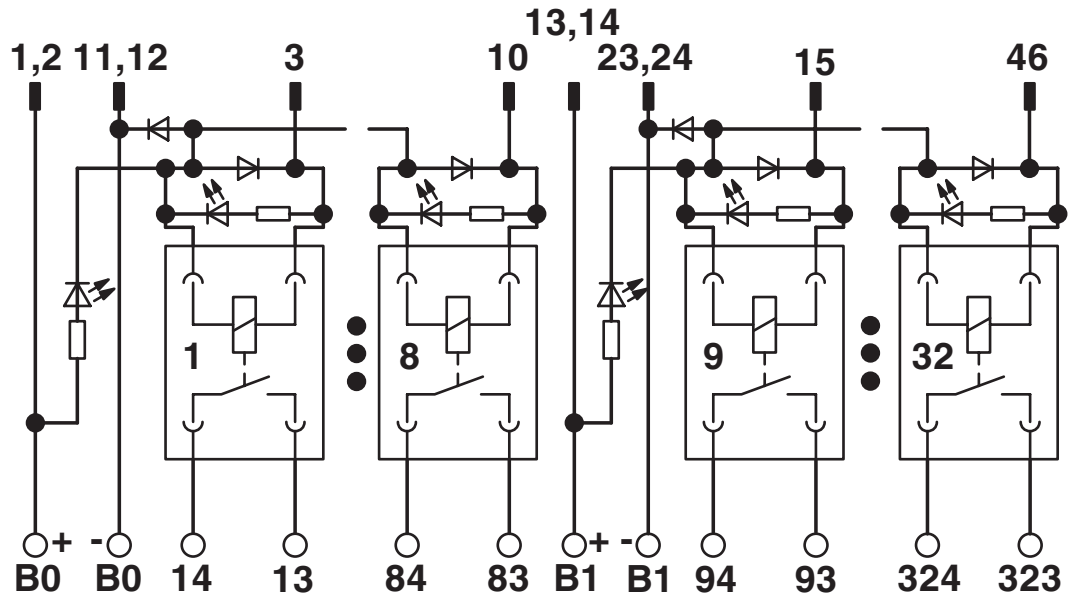
Mounting type	DIN rail mounting
Assembly instructions	in rows with zero spacing
Mounting position	any

## Notes

General	Observe the maximum switching capacity of the relays used
General	Do not connect adjacent channels to SELV/ PELV and voltages dangerous to the touch.
General	The outputs are not suitable for switching different line conductors. The sum of the switching voltages used for adjacent outputs must not exceed the rated insulation voltage value
General	The necessary requirements for insulation (basic insulation or reinforced insulation) from adjacent modules (in DIN-rail direction) must be realized by applying suitable measures (e. g., partition plates).
General	For proper use, the specifications of the installation directive (see Downloads) must be observed. For applications or use with third-party products, the specifications, and the safety and warning instructions of the respective third-party manufacturer must also be met.

## Drawings

Circuit diagram



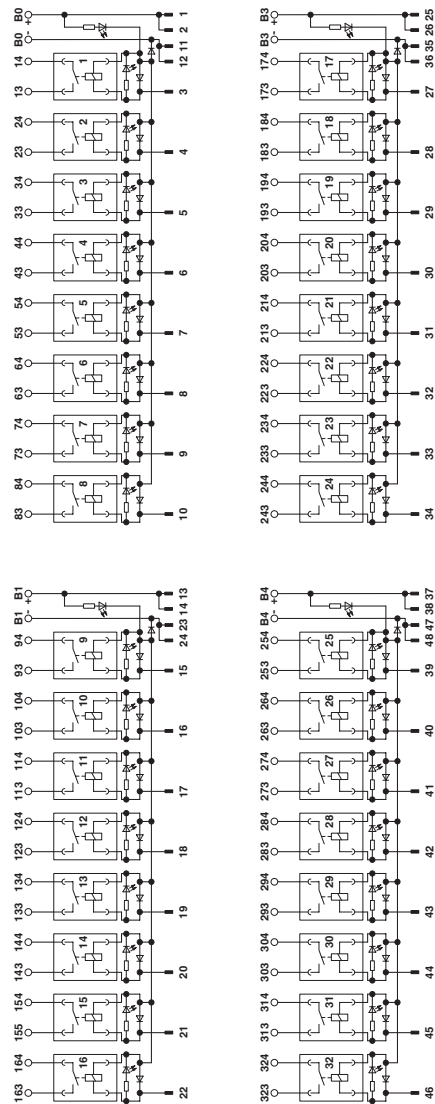
# UMK-32 RM/MR-G24/1/PLC - Active module



2979472

<https://www.phoenixcontact.com/sk/products/2979472>

## Circuit diagram

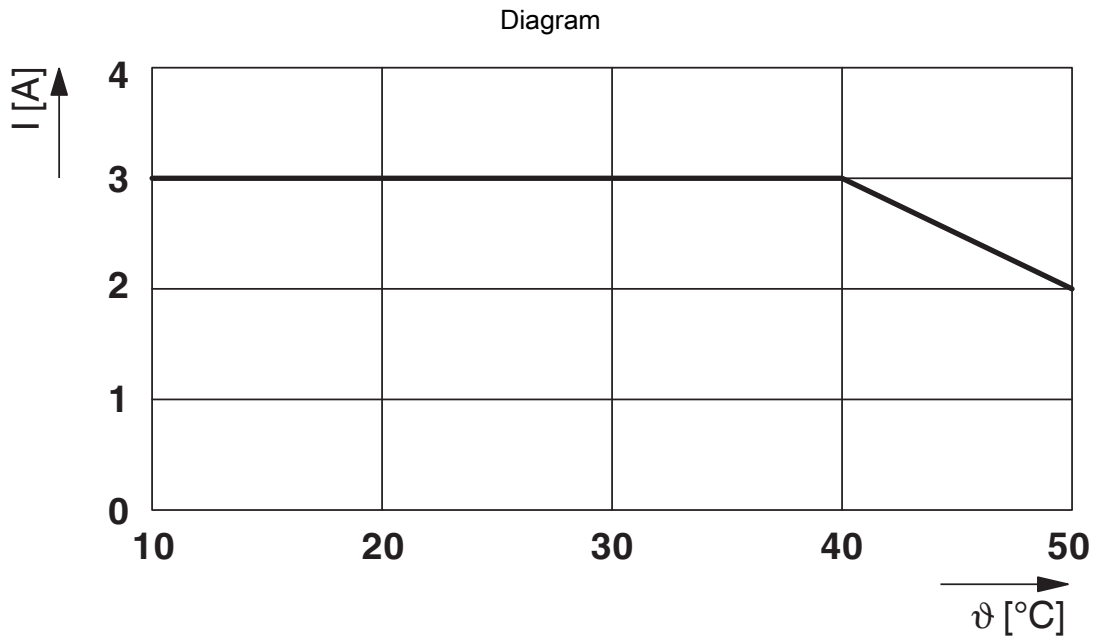


# UMK-32 RM/MR-G24/1/PLC - Active module



2979472

<https://www.phoenixcontact.com/sk/products/2979472>



Derating curve for limiting continuous current



# UMK-32 RM/MR-G24/1/PLC - Active module





2979472


<https://www.phoenixcontact.com/sk/products/2979472>

## Approvals

To download certificates, visit the product detail page: <https://www.phoenixcontact.com/sk/products/2979472>

 <b>cUL Recognized</b> Approval ID: FILE E 238705				
	Nominal voltage $U_N$	Nominal current $I_N$	Cross section AWG	Cross section $mm^2$
	24 V	3 A	-	-

 <b>UL Recognized</b> Approval ID: FILE E 238705				
	Nominal voltage $U_N$	Nominal current $I_N$	Cross section AWG	Cross section $mm^2$
	24 V	3 A	-	-

 <b>EAC</b> Approval ID: RU*DE*08.B.01841/19	
---	--

<b>cULus Recognized</b>	
-------------------------	--

# UMK-32 RM/MR-G24/1/PLC - Active module



2979472

<https://www.phoenixcontact.com/sk/products/2979472>

## Classifications

### ECLASS

ECLASS-11.0	27141152
ECLASS-12.0	27141152
ECLASS-13.0	27141152

### ETIM

ETIM 9.0	EC002780
----------	----------

### UNSPSC

UNSPSC 21.0	39121400
-------------	----------

# UMK-32 RM/MR-G24/1/PLC - Active module



2979472

<https://www.phoenixcontact.com/sk/products/2979472>

## Environmental product compliance

REACH SVHC	Lead 7439-92-1
	Hexahydromethylphthalic anhydride
China RoHS	Environmentally Friendly Use Period = 50 years
	For information on hazardous substances, refer to the manufacturer's declaration available under "Downloads"

Phoenix Contact 2024 © - all rights reserved  
<https://www.phoenixcontact.com>

PHOENIX CONTACT s.r.o.  
Námestie Mateja Korvína 1  
811 07 Bratislava  
+421 2 3210 1470  
[obchod.sk@phoenixcontact.com](mailto:obchod.sk@phoenixcontact.com)