

## Surface socket-outlet IP67

Enclosure : Thermoplastic

Cable entry for 16A knock-outs on top 2xM25,from bottom 2xM20

Cable entry for 32A knock-outs on top 2xM20,from bottom 2xM25

Cable area for 16A : 1.5 - 4.0 mm<sup>2</sup>

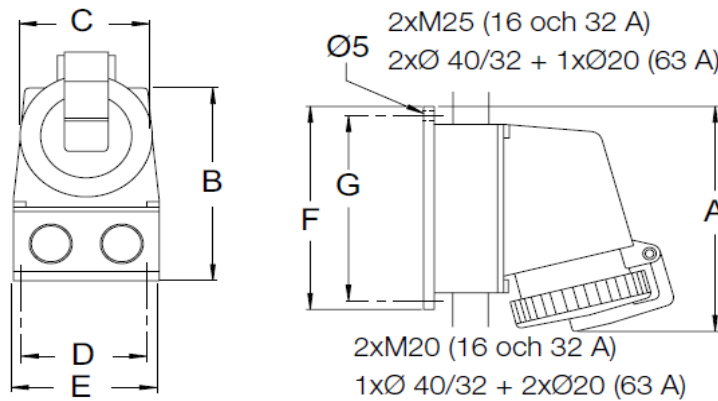
Cable area for 32A : 2.5 - 10 mm<sup>2</sup>

Cable area for 63A : 6.0 - 25 mm<sup>2</sup>

| Terminals/<br>Poles | Type       | Earthing<br>position | Color<br>code | Voltage<br>V | Frequency<br>Hz | Order Code      | Pack.<br>Qty | Weight<br>kg/pce | Rated<br>Current |
|---------------------|------------|----------------------|---------------|--------------|-----------------|-----------------|--------------|------------------|------------------|
| 2P+E                | CUHV 216-4 | 4h                   | Yellow        | 100-130      | 50/60           | 2CMA178728R1000 | 10           | 0.210            | 16               |
| 2P+E                | CUHV 216-6 | 6h                   | Blue          | 200-250      | 50/60           | 2CMA178727R1000 | 10           | 0.210            | 16               |
| 3P+E                | CUHV 316-6 | 6h                   | Red           | 380-415      | 50/60           | 2CMA178731R1000 | 10           | 0.240            | 16               |
| 3P+N+E              | CUHV 416-6 | 6h                   | Red           | 346-415      | 50/60           | 2CMA178740R1000 | 10           | 0.270            | 16               |
| 3P+E                | CUHV 332-6 | 6h                   | Red           | 380-415      | 50/60           | 2CMA178743R1000 | 10           | 0.330            | 32               |
| 3P+N+E              | CUHV 432-6 | 6h                   | Red           | 346-415      | 50/60           | 2CMA178769R1000 | 10           | 0.370            | 32               |
| 3P+N+E*             | CUHV 463-6 | 6h                   | Red           | 346-415      | 50/60           | 2CMA178847R1000 | 2            | 1.550            | 63               |

\*Cable entry with knock-outs on top 2xØ29/37+1xØ23, from bottom 1xØ29+1xØ23

### Dimensions



| Type         | A   | B   | C   | D   | E   | F   | G   |
|--------------|-----|-----|-----|-----|-----|-----|-----|
| CUHV 216-416 | 134 | 139 | 82  | 71  | 80  | 120 | 111 |
| CUHV 232-332 | 140 | 143 | 88  | 71  | 80  | 120 | 111 |
| CUHV 432     | 142 | 146 | 95  | 71  | 80  | 120 | 111 |
| CUHV 263-463 | 255 | 215 | 108 | 129 | 150 | 187 | 124 |