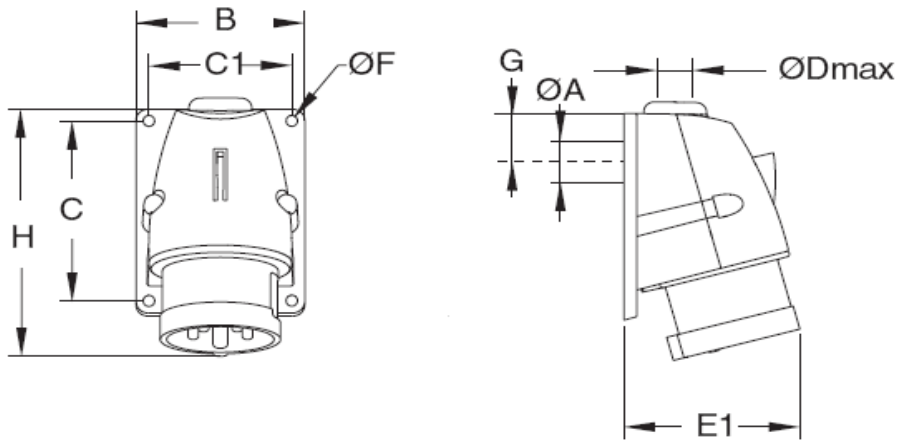


Surface inlets IP44

Enclosure : Thermoplastic
Flexible membrane and metric threaded M20 insert for top cable entry.Rear knock-out cable entry.
Cable area for 16A : 1.5 - 4 mm²
Cable area for 32A: 2.5 - 10 mm²

Terminals/ Poles	Type	Earthing position	Color code	Voltage V	Frequency Hz	Order Code	Pack. Qty	Weight kg/pce	Rated Current
2P+E	216BS6	6h	Blue	200-250	50/60	2CMA193290R1000	10	0.15	16
3P+N+E	432BS6	6h	Red	346-415	50/60	2CMA193331R1000	10	0.29	32

Dimensions



Type	A	B	C	C1	D _{max}	E1	F	G	H
216BS..	23	66	75	54	18	72	5.5	27	110
432BS..	29	85	111	72	22	96	5.5	34	154