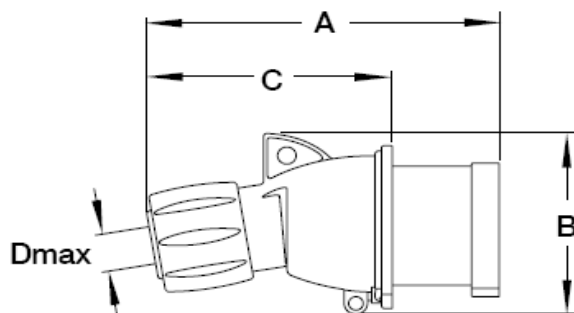


## Plugs IP44 16-32 A

Enclosure : Polyamide  
 Cable entry : Compression gland  
 Cable area for 16A : 1 - 2.5 mm<sup>2</sup>  
 Cable area for 32A : 2.5 - 6 mm<sup>2</sup>

Terminals/ Poles	Type	Earthing position	Color code	Voltage V	Frequency Hz	Order Code	Pack. Qty	Weight kg/pce	Rated Current
2P+E	216-P4	4h	Yellow	100-130	50/60	2CMA193500R1000	1	0.110	16
2P+E	216-P6	6h	Blue	200-250	50/60	2CMA193501R1000	1	0.110	16
3P+E	316-P6	6h	Red	380-415	50/60	2CMA193506R1000	1	0.158	16
3P+N+E	416-P6	6h	Red	346-415	50/60	2CMA193511R1000	1	0.174	16
2P+E	232-P6	6h	Blue	200-250	50/60	2CMA193513R1000	1	0.196	32
3P+N+E	432-P6	6h	Red	346-415	50/60	2CMA193519R1000	1	0.234	32

### Dimensions



	216-P..	316-P..	416-P..	232-P..	332-P..	432-P..
A	125	142	142	162	162	162
B	63	73	76	85	85	90
C	88	105	105	116	116	116
Dmax	13	17	17	21.5	21.5	21.5