

UIK 16-PE/N - Installation ground terminal block



3006234

<https://www.phoenixcontact.com/us/products/3006234>

Please be informed that the data shown in this PDF document is generated from our online catalog. Please find the complete data in the user documentation. Our general terms of use for downloads are valid.



Installation ground terminal block, nom. voltage: 400 V, nominal current: 101 A, Screw connection, cross section: 2.5 mm² - 25 mm², mounting type: NS 35/7,5, NS 35/15, NS 32, color: green-yellow-blue

Commercial data

Item number	3006234
Packing unit	1 pc
Note	Made to order (non-returnable)
Sales key	BE12
Product key	BE1251
Catalog page	Page 229 (CL-2005)
GTIN	4017918091453
Weight per piece (including packing)	65.49 g
Weight per piece (excluding packing)	62.537 g
Customs tariff number	85369010
Country of origin	DE

UIK 16-PE/N - Installation ground terminal block



3006234

<https://www.phoenixcontact.com/us/products/3006234>

Technical data

Product properties

Product type	Ground terminal block
Number of connections	2
Number of rows	1
Potentials	1

Insulation characteristics

Overvoltage category	III
Degree of pollution	3

Electrical properties

Rated surge voltage	8 kV
---------------------	------

Connection data

PEN function	yes
Grounding foot	Yes
Number of connections per level	2

Level 1 above 1 below 1

Screw thread	M4
Note	Please observe the current carrying capacity of the DIN rails.
Tightening torque	1.5 ... 1.8 Nm
Stripping length	11 mm
Connection in acc. with standard	IEC / EN
Conductor cross section rigid	2.5 mm ² ... 25 mm ²
Cross section AWG	12 ... 4 (converted acc. to IEC)
Conductor cross section flexible	4 mm ² ... 16 mm ²
Conductor cross section, flexible [AWG]	12 ... 6 (converted acc. to IEC)
Conductor cross-section flexible (ferrule without plastic sleeve)	1.5 mm ² ... 16 mm ²
Flexible conductor cross section (ferrule with plastic sleeve)	1.5 mm ² ... 16 mm ²
Nominal current	101 A
Maximum load current	101 A (with 25 mm ² conductor cross section)
Nominal voltage	400 V

Dimensions

Width	24 mm
-------	-------

Material specifications

Color	green-yellow-blue
Flammability rating according to UL 94	V2
Insulating material group	I
Insulating material	PA
Temperature index of insulation material (DIN EN 60216-1 (VDE	125 °C

UIK 16-PE/N - Installation ground terminal block



3006234

<https://www.phoenixcontact.com/us/products/3006234>

0304-21))	
Relative insulation material temperature index (Elec., UL 746 B)	125 °C

Mechanical properties

General

Terminal block mounting	1.5 Nm ... 1.8 Nm (PE foot with mounting screw, M4)
-------------------------	---

Mechanical data

Open side panel	No
-----------------	----

Environmental and real-life conditions

Ambient conditions

Ambient temperature (operation)	-60 °C ... 105 °C (max. short-term operating temperature RTI Elec.)
Ambient temperature (storage/transport)	-25 °C ... 60 °C (for a short time, not exceeding 24 h, -60 °C to +70 °C)
Ambient temperature (assembly)	-5 °C ... 70 °C
Permissible humidity (storage/transport)	30 % ... 70 %

Standards and regulations

Connection in acc. with standard	IEC / EN
----------------------------------	----------

Mounting

Mounting type	NS 35/7,5
	NS 35/15
	NS 32
Terminal block mounting	1.5 Nm ... 1.8 Nm (PE foot with mounting screw, M4)

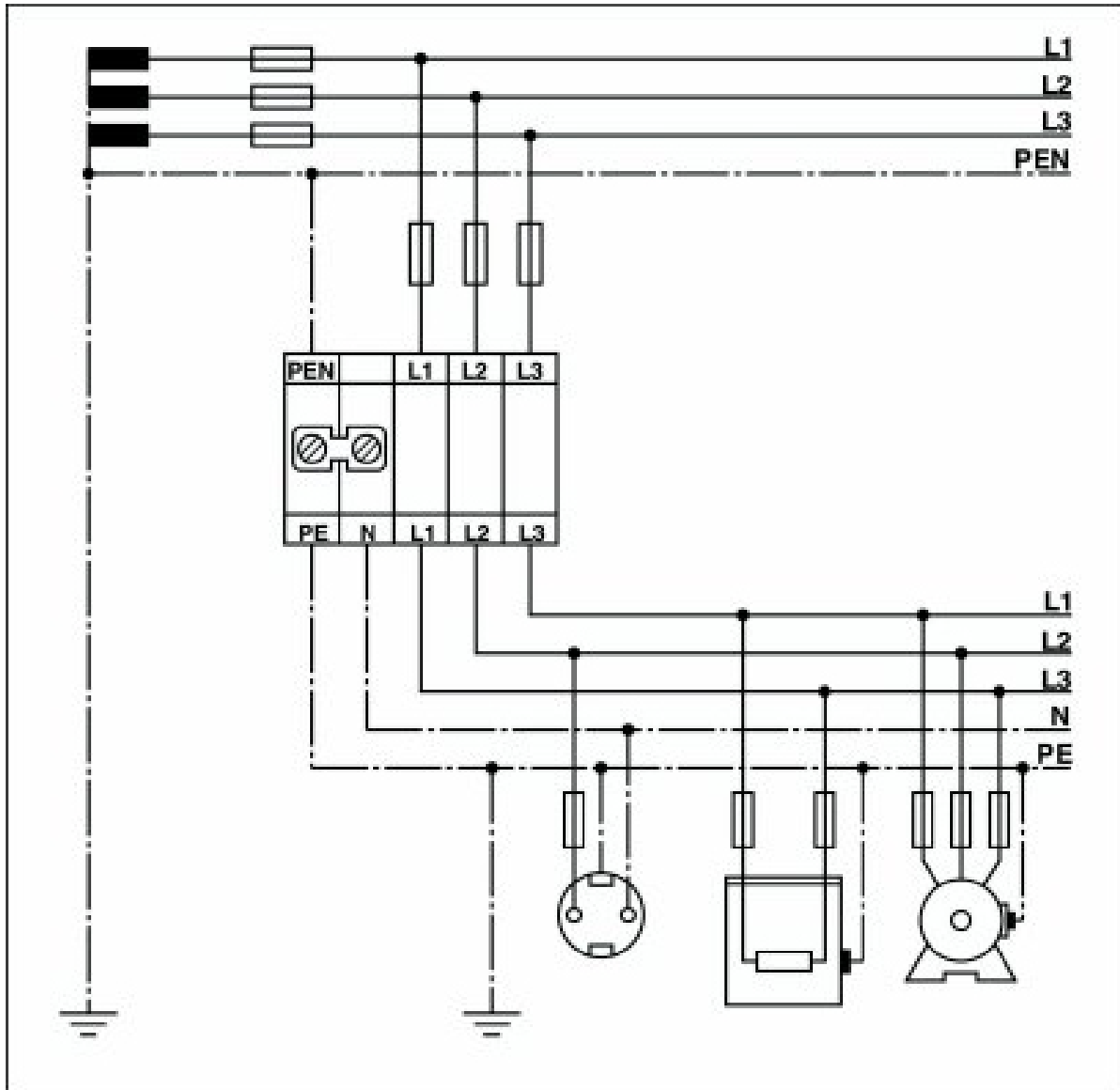
UIK 16-PE/N - Installation ground terminal block

3006234

<https://www.phoenixcontact.com/us/products/3006234>

Drawings

Connection diagram



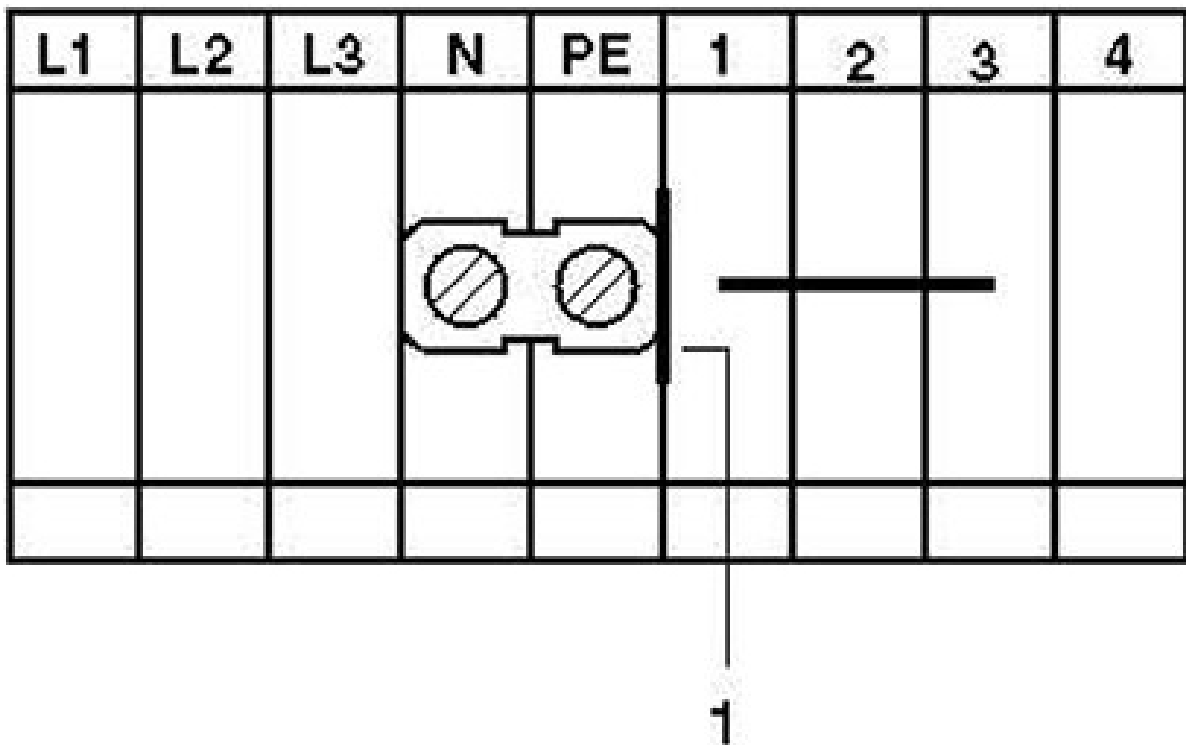
UIK 16-PE/N - Installation ground terminal block



3006234

<https://www.phoenixcontact.com/us/products/3006234>

Circuit diagram



UIK 16-PE/N - Installation ground terminal block



3006234

<https://www.phoenixcontact.com/us/products/3006234>

Classifications

UNSPSC

UNSPSC 21.0	39121410
-------------	----------

UIK 16-PE/N - Installation ground terminal block



3006234

<https://www.phoenixcontact.com/us/products/3006234>

Environmental product compliance

China RoHS	Environmentally friendly use period: unlimited = EFUP-e
	No hazardous substances above threshold values

Phoenix Contact 2024 © - all rights reserved
<https://www.phoenixcontact.com>

Phoenix Contact USA
586 Fulling Mill Road
Middletown, PA 17057, United States
(+717) 944-1300
info@phoenixcon.com