

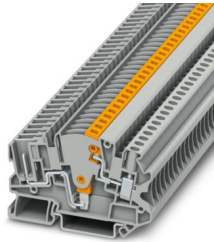
# UTME 4/1P - Test disconnect terminal block



3057416

<https://www.phoenixcontact.com/us/products/3057416>

Please be informed that the data shown in this PDF document is generated from our online catalog. Please find the complete data in the user documentation. Our general terms of use for downloads are valid.



Test disconnect terminal block, nom. voltage: 500 V, nominal current: 28 A, number of connections: 2, connection method: Screw/plug-in connection, Rated cross section: 4 mm<sup>2</sup>, cross section: 0.14 mm<sup>2</sup> - 6 mm<sup>2</sup>, mounting type: NS 35/7,5, NS 35/15, color: gray

## Your advantages

- Strain relief can be snapped on if required

## Commercial data

Item number	3057416
Packing unit	50 pc
Minimum order quantity	50 pc
Sales key	BE01
Product key	BE1133
Catalog page	Page 331 (C-1-2019)
GTIN	4046356520102
Weight per piece (including packing)	14.87 g
Weight per piece (excluding packing)	14.87 g
Customs tariff number	85369010
Country of origin	PL

# UTME 4/1P - Test disconnect terminal block



3057416

<https://www.phoenixcontact.com/us/products/3057416>

## Technical data

### Notes

#### General

Note	With a free-hanging connection, an insulating foil has to be placed between the plug connection and electrically conductive surfaces.
------	---------------------------------------------------------------------------------------------------------------------------------------

### Product properties

Product type	Test disconnect terminal block
Number of connections	2
Number of rows	1
Potentials	1

#### Insulation characteristics

Overvoltage category	III
----------------------	-----

### Electrical properties

Rated surge voltage	6 kV
Maximum power dissipation for nominal condition	1.02 W

### Connection data

Number of connections per level	2
Nominal cross section	4 mm <sup>2</sup>
Screw thread	M3
Tightening torque	0.6 ... 0.8 Nm
Stripping length	9 mm
Internal cylindrical gage	A4
Connection in acc. with standard	IEC 60947-7-1
Conductor cross section rigid	0.14 mm <sup>2</sup> ... 6 mm <sup>2</sup>
Cross section AWG	26 ... 10 (converted acc. to IEC)
Conductor cross section flexible	0.14 mm <sup>2</sup> ... 6 mm <sup>2</sup>
Conductor cross section, flexible [AWG]	26 ... 10 (converted acc. to IEC)
Conductor cross-section flexible (ferrule without plastic sleeve)	0.14 mm <sup>2</sup> ... 4 mm <sup>2</sup>
Flexible conductor cross section (ferrule with plastic sleeve)	0.14 mm <sup>2</sup> ... 4 mm <sup>2</sup>
2 conductors with same cross section, solid	0.14 mm <sup>2</sup> ... 1.5 mm <sup>2</sup>
2 conductors with same cross section, flexible	0.14 mm <sup>2</sup> ... 1.5 mm <sup>2</sup>
2 conductors with same cross section, flexible, with ferrule without plastic sleeve	0.14 mm <sup>2</sup> ... 1.5 mm <sup>2</sup>
2 conductors with the same cross section, flexible, with TWIN ferrule with plastic sleeve	0.5 mm <sup>2</sup> ... 2.5 mm <sup>2</sup>
Nominal current	28 A
Maximum load current	28 A (bei 6 mm <sup>2</sup> Leiterquerschnitt starr)
Nominal voltage	500 V
Nominal cross section	4 mm <sup>2</sup>

# UTME 4/1P - Test disconnect terminal block



3057416

<https://www.phoenixcontact.com/us/products/3057416>

## Dimensions

Width	6.2 mm
End cover width	2.2 mm
Height	71.1 mm
Depth on NS 35/7,5	49.5 mm
Depth on NS 35/15	57 mm

## Material specifications

Color	gray
Flammability rating according to UL 94	V0
Insulating material group	I
Insulating material	PA
Static insulating material application in cold	-60 °C
Relative insulation material temperature index (Elec., UL 746 B)	130 °C
Fire protection for rail vehicles (DIN EN 45545-2) R22	HL 1 - HL 3
Fire protection for rail vehicles (DIN EN 45545-2) R23	HL 1 - HL 3
Fire protection for rail vehicles (DIN EN 45545-2) R24	HL 1 - HL 3
Fire protection for rail vehicles (DIN EN 45545-2) R26	HL 1 - HL 3
Surface flammability NFPA 130 (ASTM E 162)	passed
Specific optical density of smoke NFPA 130 (ASTM E 662)	passed
Smoke gas toxicity NFPA 130 (SMP 800C)	passed

## Electrical tests

### Surge voltage test

Test voltage setpoint	7.3 kV
Result	Test passed
Short-time withstand current 4 mm <sup>2</sup>	0.5 kA
	0.15 kA
	1.25 kA
Result	Test passed

## Mechanical properties

### Mechanical data

Open side panel	Yes
-----------------	-----

## Mechanical tests

### Attachment on the carrier

DIN rail/fixing support	NS 35
Test force setpoint	1 N
Result	Test passed

## Environmental and real-life conditions

# UTME 4/1P - Test disconnect terminal block



3057416

<https://www.phoenixcontact.com/us/products/3057416>

## Needle-flame test

Time of exposure	30 s
Result	Test passed

## Oscillation/broadband noise

Specification	DIN EN 50155 (VDE 0115-200):2008-03
	DIN EN 50155 (VDE 0115-200):2022-06
Spectrum	Service life test category 1, class B, body mounted
	Service life test category 1, class B, body mounted
Frequency	$f_1 = 5 \text{ Hz}$ to $f_2 = 150 \text{ Hz}$
	$f_1 = 5 \text{ Hz}$ to $f_2 = 150 \text{ Hz}$
ASD level	0.02g <sup>2</sup> /Hz
	0.964 (m/s <sup>2</sup> ) <sup>2</sup> /Hz
Acceleration	0.8g
	0.58g
Test duration per axis	5 h
	5 h
Test directions	X-, Y- and Z-axis
	X-, Y- and Z-axis
Result	Test passed
	Test passed

## Shocks

Specification	DIN EN 50155 (VDE 0115-200):2008-03
	DIN EN 50155 (VDE 0115-200):2022-06
Pulse shape	Half-sine
	Half-sine
Acceleration	5g
	5g
Shock duration	30 ms
	30 ms
Number of shocks per direction	3
	3
Test directions	X-, Y- and Z-axis (pos. and neg.)
	X-, Y- and Z-axis (pos. and neg.)
Result	Test passed
	Test passed

## Ambient conditions

Ambient temperature (operation)	-60 °C ... 110 °C (Operating temperature range incl. self-heating; for max. short-term operating temperature, see RTI Elec.)
Ambient temperature (storage/transport)	-25 °C ... 60 °C (for a short time, no longer than 24 h, -60°C to +70°C)
Ambient temperature (assembly)	-5 °C ... 70 °C
Ambient temperature (actuation)	-5 °C ... 70 °C

# UTME 4/1P - Test disconnect terminal block



3057416

<https://www.phoenixcontact.com/us/products/3057416>

Permissible humidity (operation)	20 % ... 90 %
Permissible humidity (storage/transport)	30 % ... 70 %

## Standards and regulations

Connection in acc. with standard	IEC 60947-7-1
----------------------------------	---------------

## Mounting

Mounting type	NS 35/7,5
	NS 35/15
Assembly instructions	For isolation purposes, the screw head in NS 35/7,5 DIN rails may not exceed a height of 5 mm including the washer.

# UTME 4/1P - Test disconnect terminal block

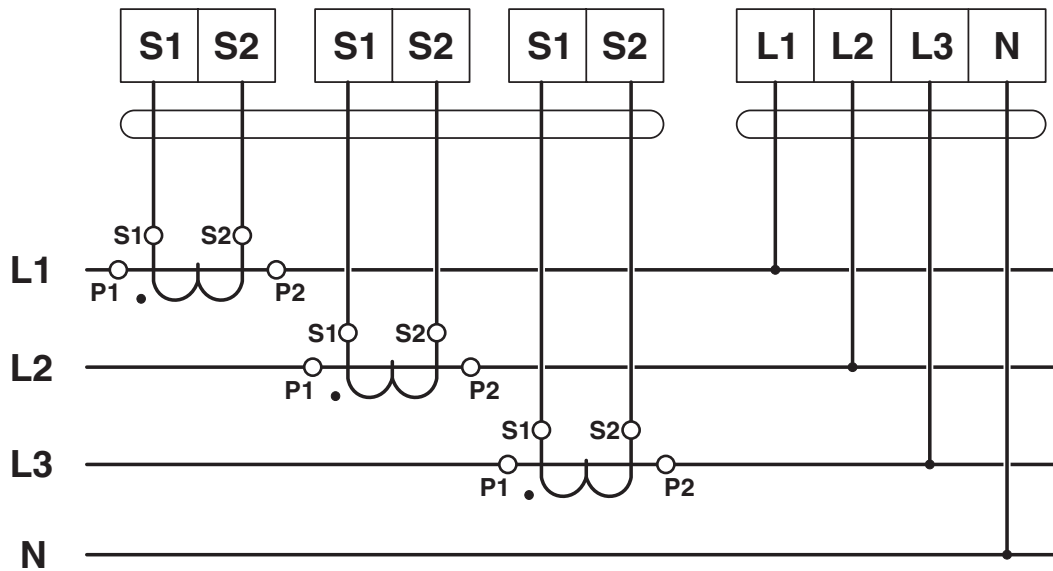


3057416

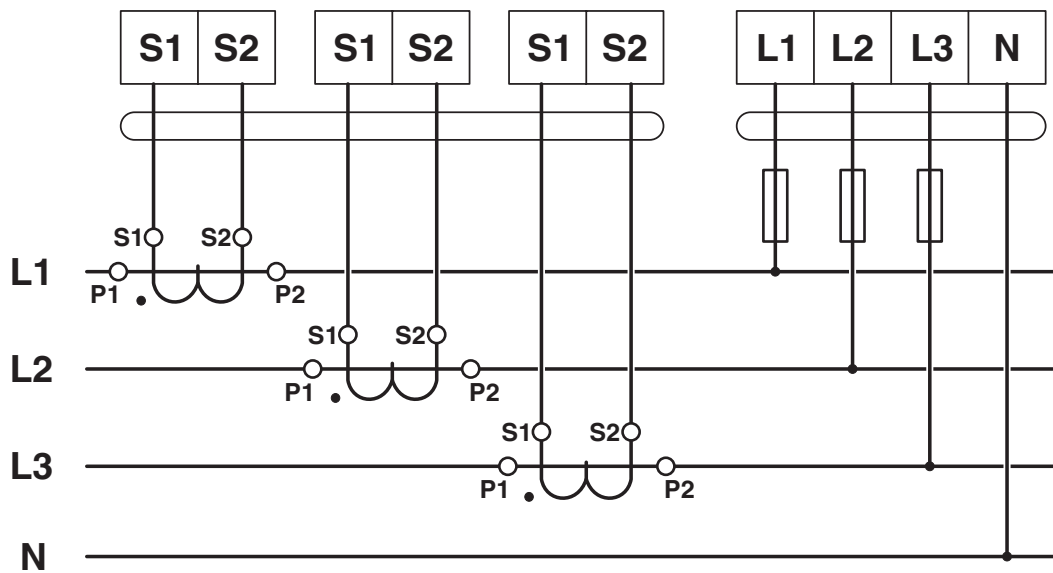
<https://www.phoenixcontact.com/us/products/3057416>

## Drawings

Circuit diagram



Circuit diagram



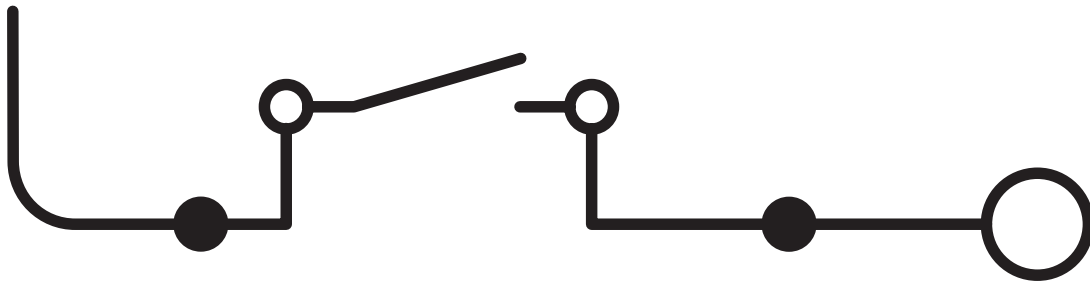
# UTME 4/1P - Test disconnect terminal block



3057416

<https://www.phoenixcontact.com/us/products/3057416>

Circuit diagram



# UTME 4/1P - Test disconnect terminal block




3057416


<https://www.phoenixcontact.com/us/products/3057416>

## Approvals

To download certificates, visit the product detail page: <https://www.phoenixcontact.com/us/products/3057416>

 <b>CSA</b> Approval ID: 13631				
	Nominal voltage $U_N$	Nominal current $I_N$	Cross section AWG	Cross section $\text{mm}^2$
Use group B	300 V	25 A	26 - 10	-
Use group C	300 V	25 A	26 - 10	-
Use group D	600 V	5 A	26 - 10	-

 <b>EAC</b> Approval ID: RU C-DE.BL08.B.00534				
-----------------------------------------------------------------------------------------------------------------------------------	--	--	--	--

 <b>cULus Recognized</b> Approval ID: E60425				
	Nominal voltage $U_N$	Nominal current $I_N$	Cross section AWG	Cross section $\text{mm}^2$
Use group B	300 V	25 A	26 - 10	-
Use group C	300 V	25 A	26 - 10	-
Use group D	600 V	5 A	26 - 10	-

# UTME 4/1P - Test disconnect terminal block



3057416

<https://www.phoenixcontact.com/us/products/3057416>

## Classifications

### ECLASS

ECLASS-11.0	27141126
ECLASS-12.0	27141126
ECLASS-13.0	27250109

### ETIM

ETIM 9.0	EC000902
----------	----------

### UNSPSC

UNSPSC 21.0	39121400
-------------	----------

# UTME 4/1P - Test disconnect terminal block



3057416

<https://www.phoenixcontact.com/us/products/3057416>

## Environmental product compliance

REACH SVHC	Lead 7439-92-1
China RoHS	Environmentally Friendly Use Period = 50 years
	For information on hazardous substances, refer to the manufacturer's declaration available under "Downloads"

Phoenix Contact 2024 © - all rights reserved

<https://www.phoenixcontact.com>

Phoenix Contact USA  
586 Fulling Mill Road  
Middletown, PA 17057, United States  
(+717) 944-1300  
[info@phoenixcon.com](mailto:info@phoenixcon.com)