

# FTP-3/10S - Test plug

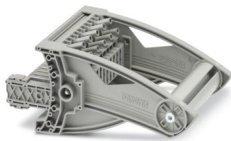


3069951

<https://www.phoenixcontact.com/sg/products/3069951>

Please be informed that the data shown in this PDF document is generated from our online catalog. Please find the complete data in the user documentation. Our general terms of use for downloads are valid.

Test plug, nom. voltage: 400 V, nominal current: 20 A, number of positions: 10, connection method: Cable lug connection, Rated cross section: 2.5 mm<sup>2</sup>, color: gray



## Your advantages

- Space saving, thanks to offset test socket arrangement
- Cost-effective, thanks to the tailored, modular design and use of standardized CLIPLINE complete accessories
- Easy and time saving, thanks to functional grouping of switching operations
- The automatically generated transformer short circuit and the shock-proof design ensure the highest degree of safety during measurement<br/>
- Maximum safety with leading and automatic transformer short circuit
- The integrated, robust switch contact is designed for the most stringent demands, and the use of high-quality materials ensures the transmission of signal currents, even after multiple actuations<br/>

## Commercial data

Item number	3069951
Packing unit	1 pc
Minimum order quantity	1 pc
Sales key	*****
Product key	BE6113
Catalog page	Page 637 (C-1-2019)
GTIN	4055626279251
Weight per piece (including packing)	592.2 g
Weight per piece (excluding packing)	592.2 g
Customs tariff number	85366990
Country of origin	PL

# FTP-3/10S - Test plug

3069951

<https://www.phoenixcontact.com/sg/products/3069951>

## Technical data

### Product properties

Product type	Test plug terminal block
Number of positions	10
Pitch	8.2 mm
Potentials	10

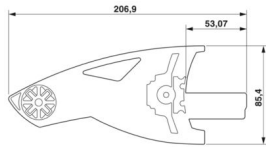
### Electrical properties

Maximum power dissipation for nominal condition	1.31 W
-------------------------------------------------	--------

### Connection data

Nominal cross section	6 mm <sup>2</sup>
Test socket torque	0.5
Note	The conductor cross section depends on the cable lug used
Conductor cross section flexible	0.5 mm <sup>2</sup> ... 2.5 mm <sup>2</sup>
Conductor cross section, flexible [AWG]	20 ... 14 (converted acc. to IEC)
Nominal current	20 A
Maximum load current	20 A
Nominal voltage	400 V AC/DC
Nominal cross section	2.5 mm <sup>2</sup>

### Dimensions

Dimensional drawing	
Width	114.1 mm
Height	86 mm
Pitch	8.2 mm

### Material specifications

Color	gray
Flammability rating according to UL 94	V0
Insulating material	PA
Static insulating material application in cold	-60 °C
Temperature index of insulation material (DIN EN 60216-1 (VDE 0304-21))	125 °C
Relative insulation material temperature index (Elec., UL 746 B)	130 °C
Fire protection for rail vehicles (DIN EN 45545-2) R22	HL 1 - HL 3
Fire protection for rail vehicles (DIN EN 45545-2) R23	HL 1 - HL 3
Fire protection for rail vehicles (DIN EN 45545-2) R24	HL 1 - HL 3
Fire protection for rail vehicles (DIN EN 45545-2) R26	HL 1 - HL 3

# FTP-3/10S - Test plug



3069951

<https://www.phoenixcontact.com/sg/products/3069951>

Calorimetric heat release NFPA 130 (ASTM E 1354)	27,5 MJ/kg
Surface flammability NFPA 130 (ASTM E 162)	passed
Specific optical density of smoke NFPA 130 (ASTM E 662)	passed
Smoke gas toxicity NFPA 130 (SMP 800C)	passed

## Environmental and real-life conditions

### Ambient conditions

Ambient temperature (storage/transport)	-25 °C ... 60 °C (for a short time, not exceeding 24 h, -60 °C to +70 °C)
Ambient temperature (assembly)	-5 °C ... 70 °C
Ambient temperature (actuation)	-5 °C ... 70 °C
Permissible humidity (storage/transport)	30 % ... 70 %

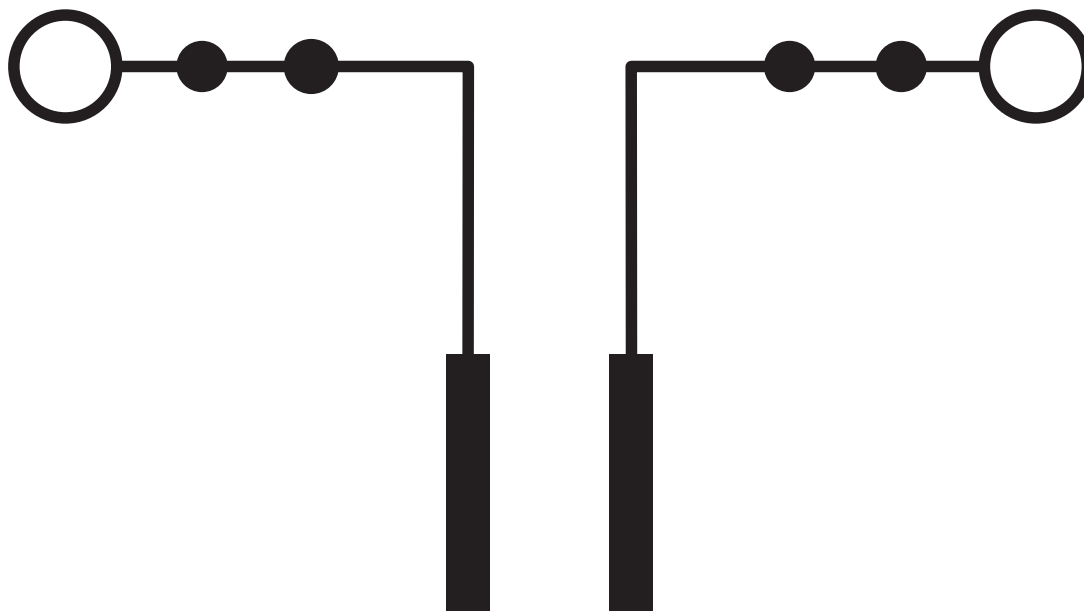
# FTP-3/10S - Test plug

3069951

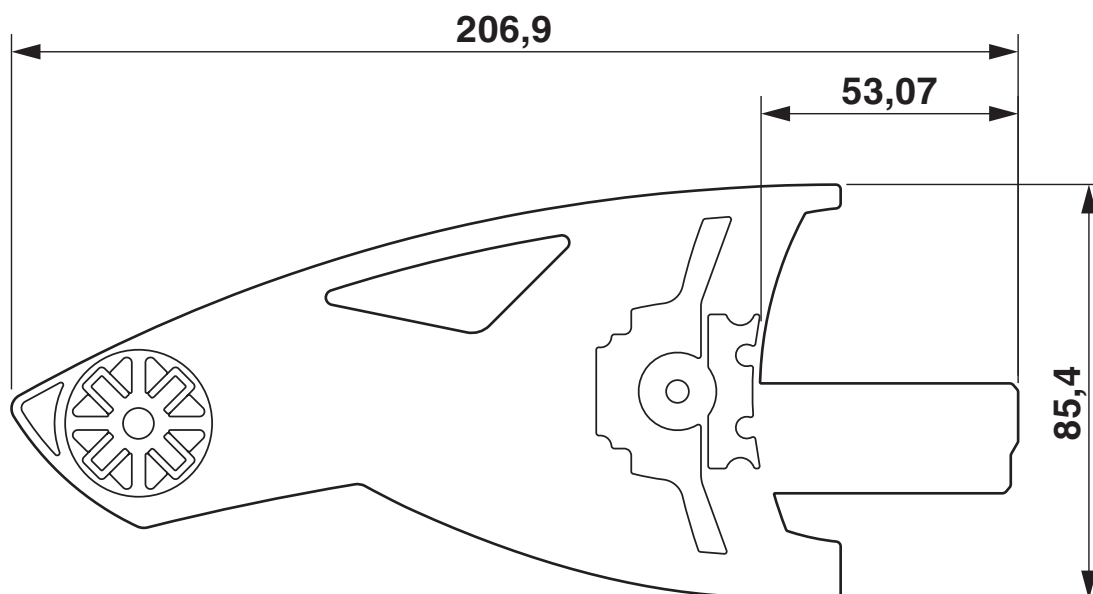
<https://www.phoenixcontact.com/sg/products/3069951>

## Drawings

Circuit diagram



Dimensional drawing



# FTP-3/10S - Test plug



3069951

<https://www.phoenixcontact.com/sg/products/3069951>

## Approvals

To download certificates, visit the product detail page: <https://www.phoenixcontact.com/sg/products/3069951>



**EAC**

Approval ID: RU C-DE.BL08.B.00511



**cULus Recognized**

Approval ID: E60425

# FTP-3/10S - Test plug



3069951

<https://www.phoenixcontact.com/sg/products/3069951>

## Classifications

### ECLASS

ECLASS-11.0	27440313
ECLASS-12.0	27440313
ECLASS-13.0	27440313

### ETIM

ETIM 9.0	EC002255
----------	----------

### UNSPSC

UNSPSC 21.0	20122000
-------------	----------

Phoenix Contact 2024 © - all rights reserved

<https://www.phoenixcontact.com>

PHOENIX CONTACT SEA Pte. Ltd.

105 Eunos Avenue 3, #04-00

Singapore 409836

+65 6228 4900

[marketing@phoenixcontact.com.sg](mailto:marketing@phoenixcontact.com.sg)