

# FTPR-3/14S - Test plug



3069957

<https://www.phoenixcontact.com/sg/products/3069957>

Please be informed that the data shown in this PDF document is generated from our online catalog. Please find the complete data in the user documentation. Our general terms of use for downloads are valid.

Test plug, With twist grip, nom. voltage: 400 V, nominal current: 20 A, number of positions: 14, Rated cross section: 2.5 mm<sup>2</sup>, color: gray



## Your advantages

- Easy and time saving, thanks to functional grouping of switching operations
- Cost-effective, thanks to the tailored, modular design and use of standardized CLIPLINE complete accessories
- Space saving, thanks to offset test socket arrangement
- Safe, thanks to guided operation with patented twist grip
- Maximum safety with leading and automatic transformer short circuit
- The automatically generated transformer short circuit and the shock-proof design ensure the highest degree of safety during measurement
- The integrated, robust switch contact is designed for the most stringent demands, and the use of high-quality materials ensures the transmission of signal currents, even after multiple actuations

## Commercial data

|                                      |                     |
|--------------------------------------|---------------------|
| Item number                          | 3069957             |
| Packing unit                         | 1 pc                |
| Minimum order quantity               | 1 pc                |
| Sales key                            | *****               |
| Product key                          | BE6113              |
| Catalog page                         | Page 637 (C-1-2019) |
| GTIN                                 | 4055626282503       |
| Weight per piece (including packing) | 755.5 g             |
| Weight per piece (excluding packing) | 755.5 g             |
| Customs tariff number                | 85366990            |
| Country of origin                    | PL                  |

# FTPR-3/14S - Test plug

3069957

<https://www.phoenixcontact.com/sg/products/3069957>

## Technical data

### Product properties

|                     |                          |
|---------------------|--------------------------|
| Product type        | Test plug terminal block |
| Number of positions | 14                       |
| Pitch               | 8.2 mm                   |
| Potentials          | 14                       |

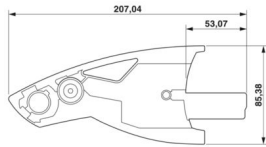
### Electrical properties

|   |        |
|---|--------|
| Maximum power dissipation for nominal condition | 1.31 W |
|---|--------|

### Connection data

|   |   |
|---|---|
| Nominal cross section                   | 6 mm <sup>2</sup>   |
| Test socket torque                      | 0.5   |
| Note                                    | The conductor cross section depends on the cable lug used |
| Conductor cross section flexible        | 0.5 mm <sup>2</sup> ... 2.5 mm <sup>2</sup>               |
| Conductor cross section, flexible [AWG] | 20 ... 14 (converted acc. to IEC)                         |
| Nominal current                         | 20 A  |
| Maximum load current                    | 20 A  |
| Nominal voltage                         | 400 V AC/DC   |
| Nominal cross section                   | 2.5 mm <sup>2</sup>                                       |

### Dimensions

|                     |  |
|---------------------|--|
| Dimensional drawing |  |
| Width               | 145 mm   |
| Height              | 86 mm  |
| Pitch               | 8.2 mm   |

### Material specifications

|   |             |
|---|-------------|
| Color   | gray        |
| Flammability rating according to UL 94                                  | V0          |
| Insulating material   | PA          |
| Static insulating material application in cold                          | -60 °C      |
| Temperature index of insulation material (DIN EN 60216-1 (VDE 0304-21)) | 125 °C      |
| Relative insulation material temperature index (Elec., UL 746 B)        | 130 °C      |
| Fire protection for rail vehicles (DIN EN 45545-2) R22                  | HL 1 - HL 3 |
| Fire protection for rail vehicles (DIN EN 45545-2) R23                  | HL 1 - HL 3 |
| Fire protection for rail vehicles (DIN EN 45545-2) R24                  | HL 1 - HL 3 |
| Fire protection for rail vehicles (DIN EN 45545-2) R26                  | HL 1 - HL 3 |

# FTPR-3/14S - Test plug



3069957

<https://www.phoenixcontact.com/sg/products/3069957>

|   |            |
|---|------------|
| Calorimetric heat release NFPA 130 (ASTM E 1354)        | 27,5 MJ/kg |
| Surface flammability NFPA 130 (ASTM E 162)              | passed     |
| Specific optical density of smoke NFPA 130 (ASTM E 662) | passed     |
| Smoke gas toxicity NFPA 130 (SMP 800C)                  | passed     |

## Environmental and real-life conditions

### Ambient conditions

|  |   |
|--|---|
| Ambient temperature (storage/transport)  | -25 °C ... 60 °C (for a short time, not exceeding 24 h, -60 °C to +70 °C) |
| Ambient temperature (assembly)           | -5 °C ... 70 °C   |
| Ambient temperature (actuation)          | -5 °C ... 70 °C   |
| Permissible humidity (storage/transport) | 30 % ... 70 %   |

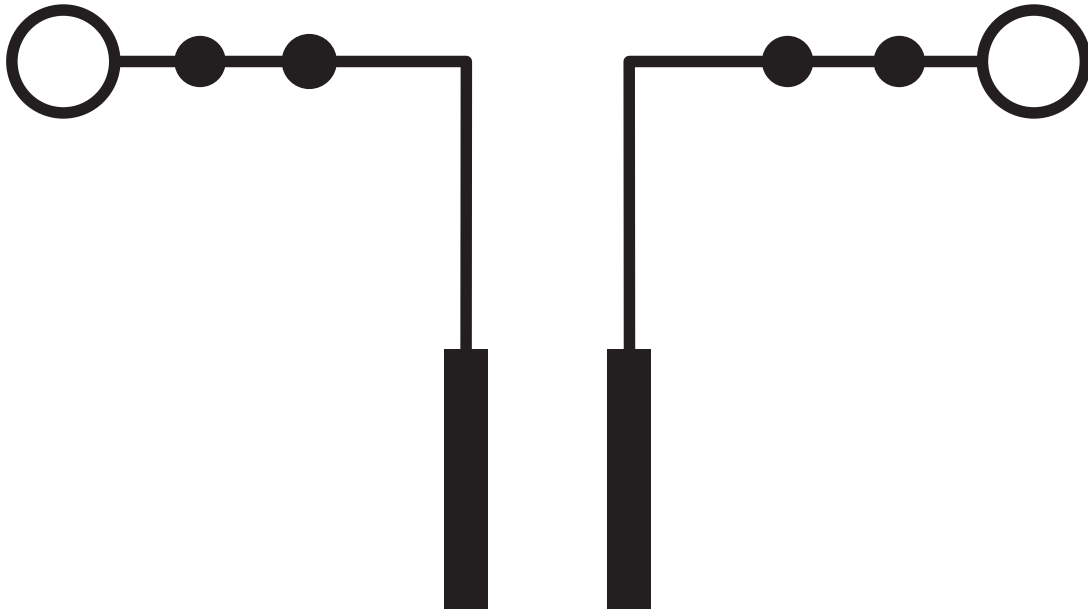
# FTPR-3/14S - Test plug

3069957

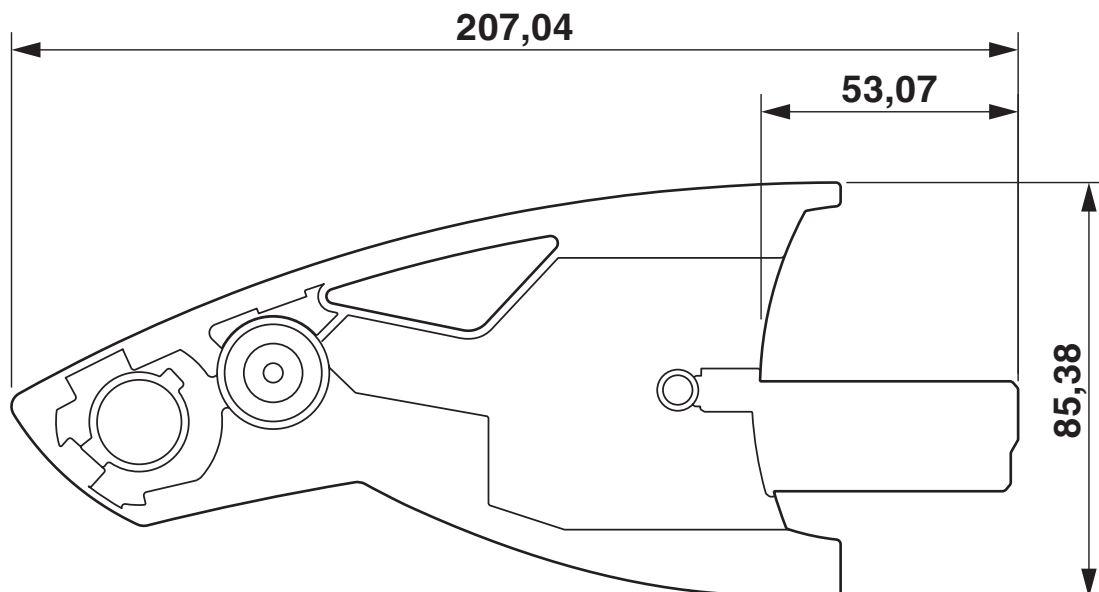
<https://www.phoenixcontact.com/sg/products/3069957>

## Drawings

Circuit diagram



Dimensional drawing



# FTPR-3/14S - Test plug



3069957

<https://www.phoenixcontact.com/sg/products/3069957>

## Approvals

To download certificates, visit the product detail page: <https://www.phoenixcontact.com/sg/products/3069957>



**EAC**

Approval ID: RU C-DE.BL08.B.00511



**cULus Recognized**

Approval ID: E60425

# FTPR-3/14S - Test plug



3069957

<https://www.phoenixcontact.com/sg/products/3069957>

## Classifications

### ECLASS

|             |          |
|-------------|----------|
| ECLASS-11.0 | 27440313 |
| ECLASS-13.0 | 27440313 |
| ECLASS-12.0 | 27440313 |

### ETIM

|          |          |
|----------|----------|
| ETIM 9.0 | EC002255 |
|----------|----------|

### UNSPSC

|             |          |
|-------------|----------|
| UNSPSC 21.0 | 20122000 |
|-------------|----------|

# FTPR-3/14S - Test plug



3069957

<https://www.phoenixcontact.com/sg/products/3069957>

## Environmental product compliance

|            |  |
|------------|--|
| REACH SVHC | Lead 7439-92-1   |
| China RoHS | Environmentally Friendly Use Period = 50 years   |
|            | For information on hazardous substances, refer to the manufacturer's declaration available under "Downloads" |

Phoenix Contact 2024 © - all rights reserved

<https://www.phoenixcontact.com>

PHOENIX CONTACT SEA Pte. Ltd.

105 Eunos Avenue 3, #04-00

Singapore 409836

+65 6228 4900

[marketing@phoenixcontact.com.sg](mailto:marketing@phoenixcontact.com.sg)