

FTPR-3/18S - Test plug



3069975

<https://www.phoenixcontact.com/pc/products/3069975>

Please be informed that the data shown in this PDF document is generated from our online catalog. Please find the complete data in the user documentation. Our general terms of use for downloads are valid.

Test plug, With twist grip, number of positions: 18, color: gray



Your advantages

- Cost-effective, thanks to the tailored, modular design and use of standardized CLIPLINE complete accessories
- Space saving, thanks to offset test socket arrangement
- Easy and time saving, thanks to functional grouping of switching operations
- Safe, thanks to guided operation with patented twist grip
- Maximum safety with leading and automatic transformer short circuit
- The integrated, robust switch contact is designed for the most stringent demands, and the use of high-quality materials ensures the transmission of signal currents, even after multiple actuations
- The automatically generated transformer short circuit and the shock-proof design ensure the highest degree of safety during measurement

Commercial data

| | |
|--------------------------------------|---------------|
| Item number | 3069975 |
| Packing unit | 1 pc |
| Minimum order quantity | 1 pc |
| Product key | BE6113 |
| GTIN | 4055626395791 |
| Weight per piece (including packing) | 905.3 g |
| Weight per piece (excluding packing) | 728.29 g |
| Customs tariff number | 85366990 |
| Country of origin | PL |

FTPR-3/18S - Test plug

3069975

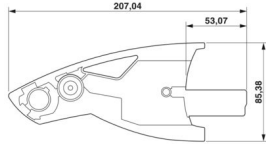
<https://www.phoenixcontact.com/pc/products/3069975>

Technical data

Product properties

| | |
|---------------------|--------------------------|
| Product type | Test plug terminal block |
| Number of positions | 18 |
| Pitch | 8.2 mm |
| Potentials | 18 |

Dimensions

| | |
|---------------------|--|
| Dimensional drawing |  |
| Width | 179.3 mm |
| Height | 86 mm |
| Pitch | 8.2 mm |

Material specifications

| | |
|--|------|
| Color | gray |
| Flammability rating according to UL 94 | V0 |
| Insulating material | PA |

Environmental and real-life conditions

Ambient conditions

| | |
|--|---|
| Ambient temperature (operation) | -60 °C ... 105 °C (max. short-term operating temperature RTI Elec.) |
| Ambient temperature (storage/transport) | -25 °C ... 60 °C (for a short time, not exceeding 24 h, -60 °C to +70 °C) |
| Ambient temperature (assembly) | -5 °C ... 70 °C |
| Ambient temperature (actuation) | -5 °C ... 70 °C |
| Permissible humidity (storage/transport) | 30 % ... 70 % |

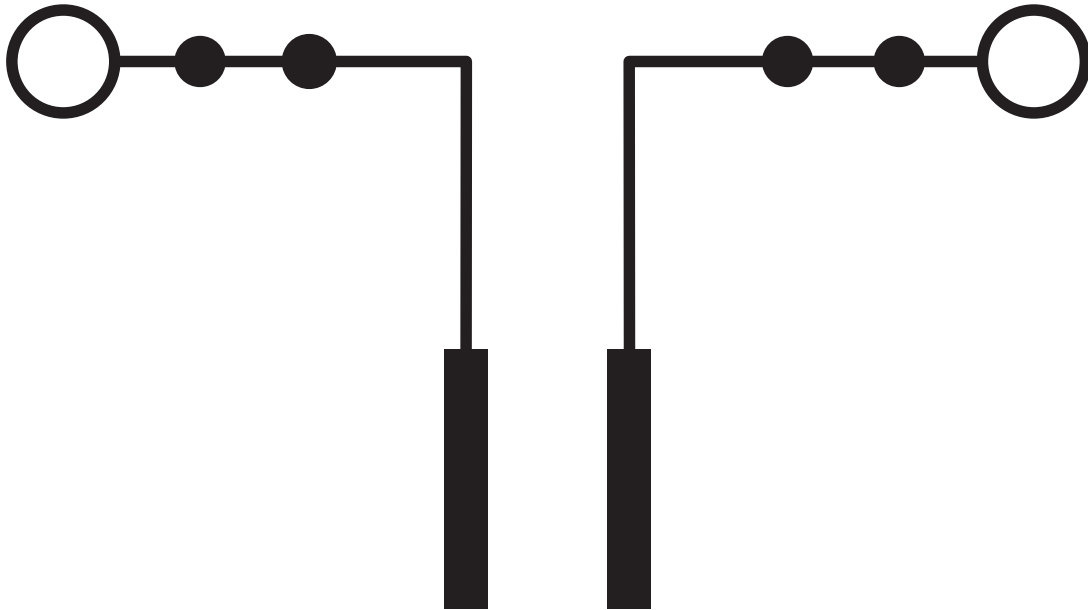
FTPR-3/18S - Test plug

3069975

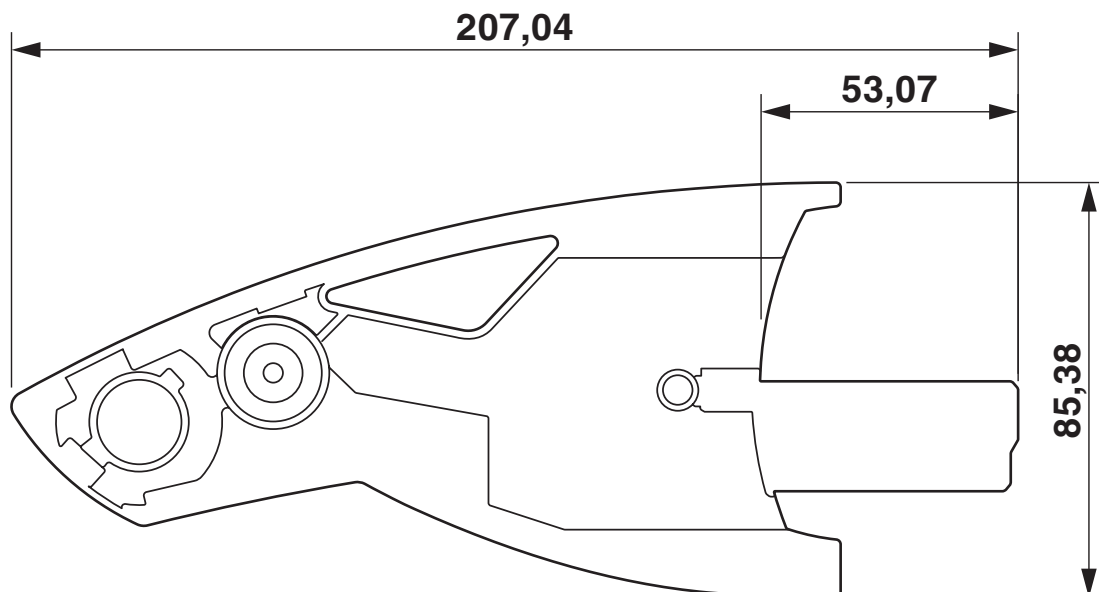
<https://www.phoenixcontact.com/pc/products/3069975>

Drawings

Circuit diagram



Dimensional drawing



FTPR-3/18S - Test plug



3069975

<https://www.phoenixcontact.com/pc/products/3069975>

Approvals

🔗 To download certificates, visit the product detail page: <https://www.phoenixcontact.com/pc/products/3069975>



EAC

Approval ID: RU C-DE.BL08.B.00511



cULus Recognized

Approval ID: E60425

FTPR-3/18S - Test plug



3069975

<https://www.phoenixcontact.com/pc/products/3069975>

Classifications

ECLASS

| | |
|-------------|----------|
| ECLASS-11.0 | 27440313 |
| ECLASS-12.0 | 27440313 |
| ECLASS-13.0 | 27440313 |

ETIM

| | |
|----------|----------|
| ETIM 9.0 | EC002255 |
|----------|----------|

UNSPSC

| | |
|-------------|----------|
| UNSPSC 21.0 | 20122000 |
|-------------|----------|

FTPR-3/18S - Test plug



3069975

<https://www.phoenixcontact.com/pc/products/3069975>

Environmental product compliance

EU RoHS

| | |
|---|------|
| Fulfills EU RoHS substance requirements | Yes |
| Exemption | 6(c) |

China RoHS

| | |
|--|---|
| Environment friendly use period (EFUP) | EFUP-50 |
| | An article-related China RoHS declaration table can be found in the download area for the respective article under "Manufacturer declaration". For all articles with EFUP-E, no China RoHS declaration table issued and required. |

EU REACH SVHC

| | |
|-------------------------------------|--------------------------------------|
| REACH candidate substance (CAS No.) | Lead(CAS: 7439-92-1) |
| SCIP | 1035ce09-c9a3-4261-bd1b-08fb8d619c47 |

Phoenix Contact 2024 © - all rights reserved

<https://www.phoenixcontact.com>

PHOENIX CONTACT GmbH & Co. KG

Flachsmarktstraße 8

D-32825 Blomberg

+49 (0) 5235-3 00

info@phoenixcontact.com