

# FTPR-3/19S - Test plug



3069976

<https://www.phoenixcontact.com/pc/products/3069976>

Please be informed that the data shown in this PDF document is generated from our online catalog. Please find the complete data in the user documentation. Our general terms of use for downloads are valid.

Test plug, With twist grip, number of positions: 19, color: gray



## Your advantages

- Cost-effective, thanks to the tailored, modular design and use of standardized CLIPLINE complete accessories
- Space saving, thanks to offset test socket arrangement
- Easy and time saving, thanks to functional grouping of switching operations
- Safe, thanks to guided operation with patented twist grip
- Maximum safety with leading and automatic transformer short circuit
- The integrated, robust switch contact is designed for the most stringent demands, and the use of high-quality materials ensures the transmission of signal currents, even after multiple actuations
- The automatically generated transformer short circuit and the shock-proof design ensure the highest degree of safety during measurement

## Commercial data

Item number	3069976
Packing unit	1 pc
Minimum order quantity	1 pc
Product key	BE6113
GTIN	4055626395807
Weight per piece (including packing)	961.57 g
Weight per piece (excluding packing)	758.44 g
Customs tariff number	85366990
Country of origin	PL

# FTPR-3/19S - Test plug

3069976

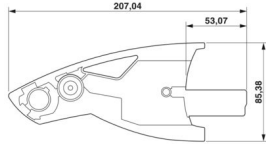
<https://www.phoenixcontact.com/pc/products/3069976>

## Technical data

### Product properties

Product type	Test plug terminal block
Number of positions	19
Pitch	8.2 mm
Potentials	19

### Dimensions

Dimensional drawing	
Width	187.5 mm
Height	86 mm
Pitch	8.2 mm

### Material specifications

Color	gray
Flammability rating according to UL 94	V0
Insulating material	PA

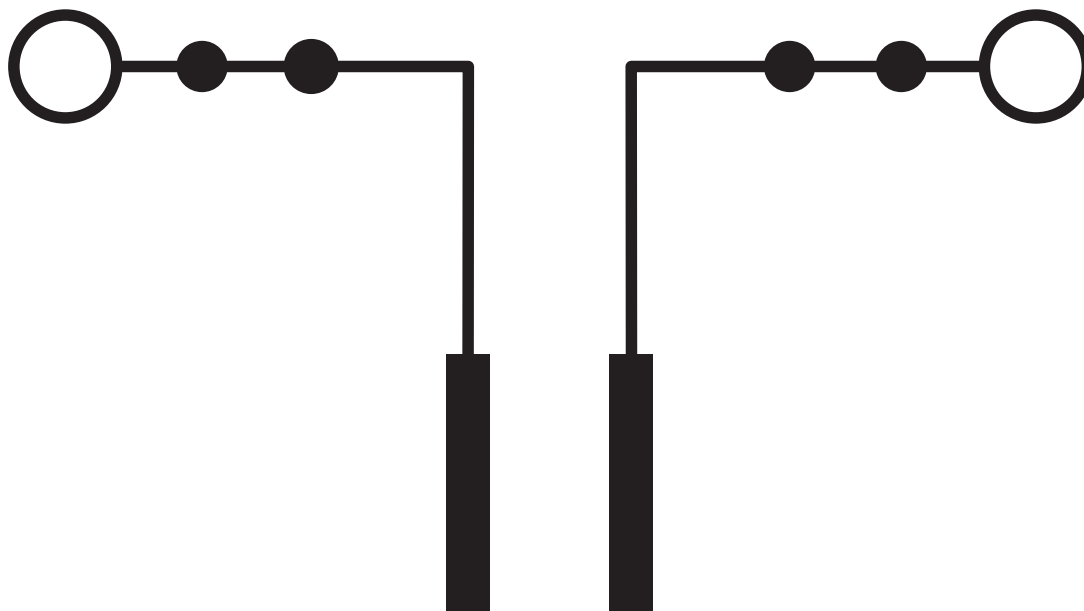
### Environmental and real-life conditions

#### Ambient conditions

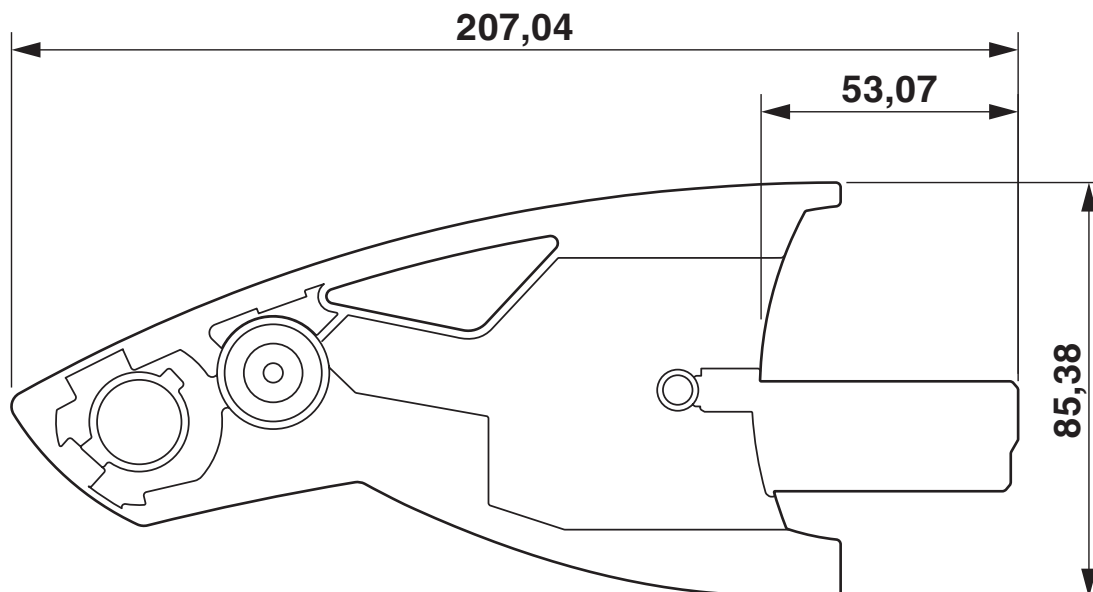
Ambient temperature (operation)	-60 °C ... 105 °C (max. short-term operating temperature RTI Elec.)
Ambient temperature (storage/transport)	-25 °C ... 60 °C (for a short time, not exceeding 24 h, -60 °C to +70 °C)
Ambient temperature (assembly)	-5 °C ... 70 °C
Ambient temperature (actuation)	-5 °C ... 70 °C
Permissible humidity (storage/transport)	30 % ... 70 %

## Drawings

Circuit diagram



Dimensional drawing



# FTPR-3/19S - Test plug



3069976

<https://www.phoenixcontact.com/pc/products/3069976>

## Approvals

To download certificates, visit the product detail page: <https://www.phoenixcontact.com/pc/products/3069976>



**EAC**

Approval ID: RU C-DE.BL08.B.00511



**cULus Recognized**

Approval ID: E60425

# FTPR-3/19S - Test plug



3069976

<https://www.phoenixcontact.com/pc/products/3069976>

## Classifications

### ECLASS

ECLASS-11.0	27440313
ECLASS-13.0	27440313
ECLASS-12.0	27440313

### ETIM

ETIM 9.0	EC002255
----------	----------

### UNSPSC

UNSPSC 21.0	20122000
-------------	----------

# FTPR-3/19S - Test plug



3069976

<https://www.phoenixcontact.com/pc/products/3069976>

## Environmental product compliance

### EU RoHS

Fulfills EU RoHS substance requirements	Yes
Exemption	6(c)

### China RoHS

Environment friendly use period (EFUP)	EFUP-50
	An article-related China RoHS declaration table can be found in the download area for the respective article under "Manufacturer declaration". For all articles with EFUP-E, no China RoHS declaration table issued and required.

### EU REACH SVHC

REACH candidate substance (CAS No.)	Lead(CAS: 7439-92-1)
SCIP	867d7832-94b6-4e92-97fa-fdb46138e586

Phoenix Contact 2024 © - all rights reserved

<https://www.phoenixcontact.com>

PHOENIX CONTACT GmbH & Co. KG

Flachsmarktstraße 8

D-32825 Blomberg

+49 (0) 5235-3 00

[info@phoenixcontact.com](mailto:info@phoenixcontact.com)