

AI 50 -20 BU - Ferrule

3200454

<https://www.phoenixcontact.com/us/products/3200454>

Please be informed that the data shown in this PDF document is generated from our online catalog. Please find the complete data in the user documentation. Our general terms of use for downloads are valid.



Ferrule, sleeve length: 20 mm, color: blue

Your advantages

- The insulation reliability of close connections is increased and the splicing of wires is prevented
- The ferrules with plastic sleeve are made from soft tin-plated electrolytic copper
- The AI 0,25.. ferrules can also be used to process 0.14 mm² conductors

Commercial data

Item number	3200454
Packing unit	50 pc
Minimum order quantity	50 pc
Sales key	BH34
Product key	BH3411
Catalog page	Page 481 (C-3-2019)
GTIN	4017918094102
Weight per piece (including packing)	2.98 g
Weight per piece (excluding packing)	2.943 g
Customs tariff number	85369010
Country of origin	DE

3200454

<https://www.phoenixcontact.com/us/products/3200454>

Technical data

Product properties

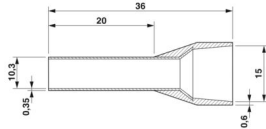
Product type	Cable end sleeve
Conductor category	stranded conductors, class 2, 5, 6 / B, C, K, M

Connection data

Conductor connection

Conductor cross section flexible max.	50 mm ²
Conductor cross section AWG max.	1/0
Stripping length	25 mm

Dimensions

Dimensional drawing	
Sleeve length	20 mm
Maximum stripping length	25 mm
Ferrule diameter	10.3 mm
Sleeve wall thickness	0.35 mm
Insulating collar thickness	0.6 mm
Inner dimensions of the insulating collar	15 mm

Material specifications

Color	blue
Material	CU-DHP
Flammability rating according to UL 94	HB
Coating	tin-plated (galvanic)
Components	free from silicone and halogen

Mechanical properties

Technical data

Sleeve length	20 mm
---------------	-------

Environmental and real-life conditions

Ambient conditions

Permanent temperature	105 °C (-40 °C no load / 0 °C dynamic load)
Short-term temperature	120 °C

Standards and regulations

AI 50 -20 BU - Ferrule

3200454

<https://www.phoenixcontact.com/us/products/3200454>



Design according to standard

DIN 46228-4, UL 486F-E, NFC 63-023

AI 50 -20 BU - Ferrule

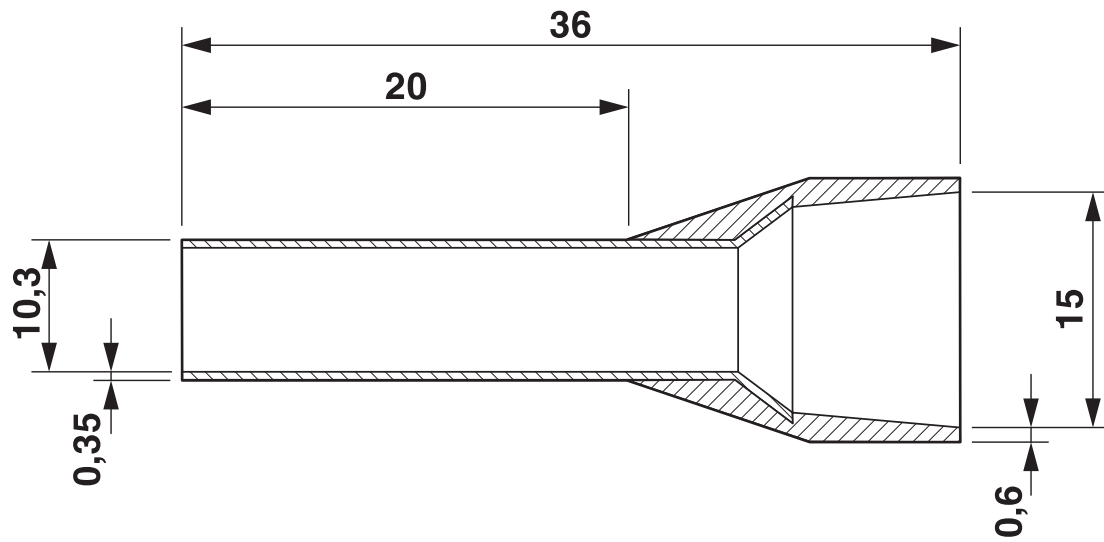
3200454

<https://www.phoenixcontact.com/us/products/3200454>



Drawings

Dimensional drawing



AI 50 -20 BU - Ferrule



3200454

<https://www.phoenixcontact.com/us/products/3200454>

Approvals

To download certificates, visit the product detail page: <https://www.phoenixcontact.com/us/products/3200454>



UL Listed

Approval ID: E488001



cUL Listed

Approval ID: E488001



cULus Listed

Approval ID: E488001

cULus Listed

AI 50 -20 BU - Ferrule



3200454

<https://www.phoenixcontact.com/us/products/3200454>

Classifications

ECLASS

ECLASS-11.0	27400201
ECLASS-12.0	27400201
ECLASS-13.0	27400201

ETIM

ETIM 9.0	EC000005
----------	----------

UNSPSC

UNSPSC 21.0	27121700
-------------	----------

3200454

<https://www.phoenixcontact.com/us/products/3200454>

Environmental product compliance

EU RoHS

Fulfills EU RoHS substance requirements	Yes, No exemptions
---	--------------------

China RoHS

Environment friendly use period (EFUP)	EFUP-E
	No hazardous substances above the limits

EU REACH SVHC

REACH candidate substance (CAS No.)	No substance above 0.1 wt%
-------------------------------------	----------------------------

AI 50 -20 BU - Ferrule

3200454

<https://www.phoenixcontact.com/us/products/3200454>



Accessories

CRIMPFOX 50R - Crimping pliers

1212041

<https://www.phoenixcontact.com/us/products/1212041>



Crimping pliers, for ferrules without insulating collar according to DIN 46228 Part 1 and ferrules with insulating collar according to DIN 46228 Part 4, 35 mm² ... 50 mm², lateral entry, WM crimp

Phoenix Contact 2024 © - all rights reserved
<https://www.phoenixcontact.com>

Phoenix Contact USA
586 Fulling Mill Road
Middletown, PA 17057, United States
(+717) 944-1300
info@phoenixcon.com