

CD 60X40 - Cable duct



3240190

<https://www.phoenixcontact.com/pc/products/3240190>

Please be informed that the data shown in this PDF document is generated from our online catalog. Please find the complete data in the user documentation. Our general terms of use for downloads are valid.



Cable duct for installation and mounting in control cabinets, gray, comprising upper part and mounting base, width: 60 mm, height: 40 mm, length: 2000 mm

Your advantages

- Predetermined breaking point enables tool-free, burr-free removal of bars
- Thanks to its leverage and special cutting geometry, the PPS CD cable duct cutter enables easy, burr-free cutting with minimum effort
- Easy, burr-free cutting with minimum effort using the CUTFOX-CD cable duct cutter
- The wide, diagonal heads of the cable duct bars make it easy to fit the cover and hold it securely in place
- Installed conductors are securely held in place by means of wire retaining clips that can be snapped onto bars on the side
- Plastic body-bound rivets enable easy fixing of cable ducts using the rivet setting tool

Commercial data

Item number	3240190
Packing unit	20 pc
Minimum order quantity	20 pc
Product key	BE7431
Catalog page	Page 581 (C-3-2019)
GTIN	4046356459174
Weight per piece (including packing)	718 g
Weight per piece (excluding packing)	718 g
Customs tariff number	39259020
Country of origin	DE

CD 60X40 - Cable duct

3240190

<https://www.phoenixcontact.com/pc/products/3240190>



Technical data

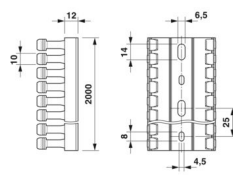
Product properties

Product type	Wiring duct
--------------	-------------

Connection data

Nominal cross section	1155 mm ²
-----------------------	----------------------

Dimensions

Dimensional drawing	
Width	60 mm
Height	2000 mm
Depth	40 mm
Length	2000 mm

Material specifications

Color	gray
Material	PVC
Flammability rating according to UL 94	V0
Components	Lead-free

Cable/line

Halogen-free	no
--------------	----

Environmental and real-life conditions

Ambient conditions

Ambient temperature (operation)	-5 °C ... 60 °C
---------------------------------	-----------------

CD 60X40 - Cable duct

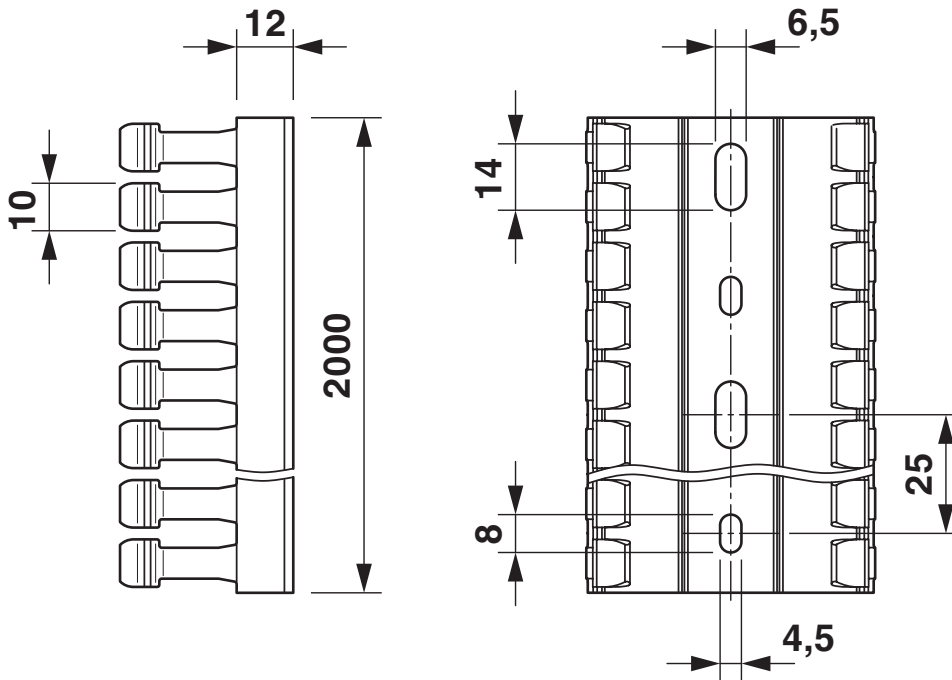
3240190

<https://www.phoenixcontact.com/pc/products/3240190>



Drawings

Dimensional drawing



Base perforation according to DIN EN 50085

CD 60X40 - Cable duct



3240190

<https://www.phoenixcontact.com/pc/products/3240190>

Approvals

To download certificates, visit the product detail page: <https://www.phoenixcontact.com/pc/products/3240190>



CSA

Approval ID: 248269



UL Recognized

Approval ID: FILE E 328576



VDE Zeichengenehmigung

Approval ID: 40027969



EAC

Approval ID: RU C-DE.PB68.W.00478

CD 60X40 - Cable duct



3240190

<https://www.phoenixcontact.com/pc/products/3240190>

Classifications

ECLASS

ECLASS-11.0	27400703
ECLASS-12.0	27400703
ECLASS-13.0	27400703

ETIM

ETIM 9.0	EC000012
----------	----------

UNSPSC

UNSPSC 21.0	39131700
-------------	----------

CD 60X40 - Cable duct



3240190

<https://www.phoenixcontact.com/pc/products/3240190>

Environmental product compliance

EU RoHS

Fulfills EU RoHS substance requirements	Yes, No exemptions
---	--------------------

China RoHS

Environment friendly use period (EFUP)	EFUP-E
	No hazardous substances above the limits

EU REACH SVHC

REACH candidate substance (CAS No.)	No substance above 0.1 wt%
-------------------------------------	----------------------------

Phoenix Contact 2024 © - all rights reserved

<https://www.phoenixcontact.com>

PHOENIX CONTACT GmbH & Co. KG

Flachmarktstraße 8

D-32825 Blomberg

+49 (0) 5235-3 00

info@phoenixcontact.com