

SKS 8-NS35 - Shield connection clamp

3240216

<https://www.phoenixcontact.com/sg/products/3240216>

Please be informed that the data shown in this PDF document is generated from our online catalog. Please find the complete data in the user documentation. Our general terms of use for downloads are valid.

Shield connection terminal block, for applying the shield to busbars



Your advantages

- As components, it is not possible to certify shield connections in accordance with the requirements of the directive and standards for electrical equipment in potentially explosive areas. As such, shield connection clamps can be used in the Ex area even without an appropriate approval or marking.
- Three different mounting types supported: on NS 35 DIN rails, on busbars, or directly on conductive mounting panels

Commercial data

Item number	3240216
Packing unit	10 pc
Minimum order quantity	10 pc
Sales key	*****
Product key	BE7523
Catalog page	Page 569 (C-3-2019)
GTIN	4046356458870
Weight per piece (including packing)	26.39 g
Weight per piece (excluding packing)	24.69 g
Customs tariff number	85369010
Country of origin	DE

SKS 8-NS35 - Shield connection clamp

3240216

<https://www.phoenixcontact.com/sg/products/3240216>

Technical data

Product properties

Product type	Shield connection clamp
Pitch	12.4 mm
Number of connections	1
Number of rows	1

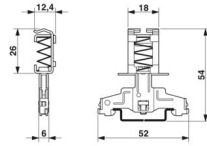
Electrical properties

Maximum power dissipation for nominal condition	0.77 W
---	--------

Connection data

Grounding foot	Yes
Screw thread	M3,5
Tightening torque	1 ... 1.2 Nm
Conductor cross section rigid	3 mm ² ... 8 mm ²
Cross section AWG	12 ... 8 (converted acc. to IEC)
Conductor cross section flexible	3 mm ² ... 8 mm ²
Conductor cross section, flexible [AWG]	12 ... 8 (converted acc. to IEC)

Dimensions

Dimensional drawing	
Width	12.5 mm
Height	50.7 mm
Pitch	12.4 mm

Material specifications

Color	silver
Material	Steel

Cable/line

External cable diameter	3 mm ... 8 mm
-------------------------	---------------

Mechanical properties

Mechanical data

Open side panel	No
-----------------	----

Mechanical tests

Mechanical strength

SKS 8-NS35 - Shield connection clamp



3240216

<https://www.phoenixcontact.com/sg/products/3240216>

Result	Test passed
--------	-------------

Mounting

Mounting type	NS 35/7,5
	NS 35/15

SKS 8-NS35 - Shield connection clamp

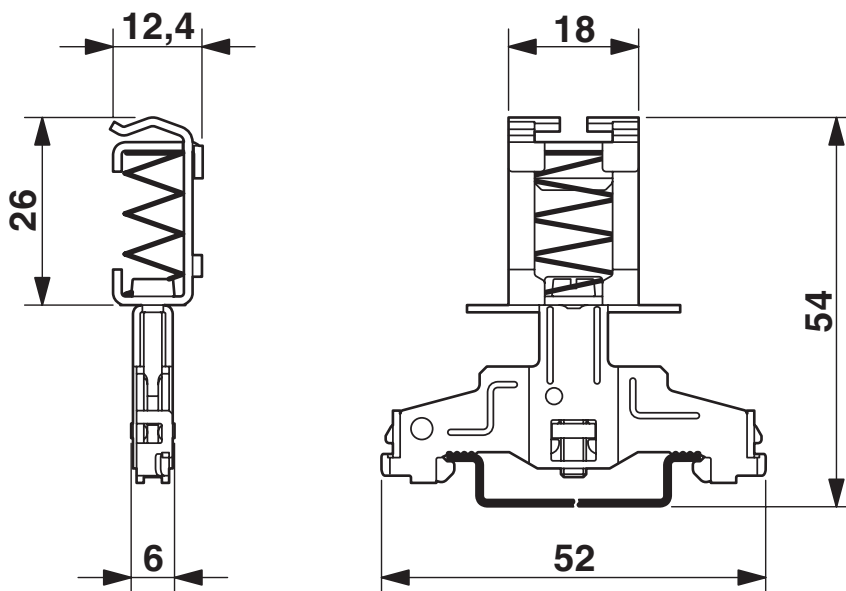
3240216

<https://www.phoenixcontact.com/sg/products/3240216>



Drawings

Dimensional drawing



SKS 8-NS35 - Shield connection clamp



3240216

<https://www.phoenixcontact.com/sg/products/3240216>

Classifications

ECLASS

ECLASS-11.0	27141150
ECLASS-12.0	27141150

ETIM

ETIM 8.0	EC002020
----------	----------

UNSPSC

UNSPSC 21.0	39121400
-------------	----------

SKS 8-NS35 - Shield connection clamp



3240216

<https://www.phoenixcontact.com/sg/products/3240216>

Environmental product compliance

EU RoHS

Fulfills EU RoHS substance requirements	Yes, No exemptions
---	--------------------

China RoHS

Environment friendly use period (EFUP)	EFUP-E
	No hazardous substances above the limits

EU REACH SVHC

REACH candidate substance (CAS No.)	No substance above 0.1 wt%
-------------------------------------	----------------------------

Phoenix Contact 2024 © - all rights reserved
<https://www.phoenixcontact.com>

PHOENIX CONTACT SEA Pte. Ltd.
105 Eunos Avenue 3, #04-00
Singapore 409836
+65 6228 4900
marketing@phoenixcontact.com.sg