

RSCWE 6-3/19 - Test terminal strip



3969958

<https://www.phoenixcontact.com/us/products/3969958>

Please be informed that the data shown in this PDF document is generated from our online catalog. Please find the complete data in the user documentation. Our general terms of use for downloads are valid.



Test terminal strip, nom. voltage: 400 V, number of connections: 38, number of positions: 19, connection method: Ring cable lug, 1 level, Rated cross section: 6 mm², mounting type: Wall mounting, color: gray

Your advantages

- Space saving, thanks to compact, modular test terminal strips
- Cost-effective, thanks to the tailored, modular design and use of standardized CLIPLINE complete accessories
- The integrated, robust switch contact is designed for the most stringent demands, and the use of high-quality materials ensures the transmission of signal currents, even after multiple actuations
- Maximum safety with leading and automatic transformer short circuit

Commercial data

| | |
|--------------------------------------|---------------|
| Item number | 3969958 |
| Packing unit | 1 pc |
| Minimum order quantity | 1 pc |
| Sales key | BE06 |
| Product key | BE6113 |
| GTIN | 4055626394695 |
| Weight per piece (including packing) | 740.2 g |
| Weight per piece (excluding packing) | 667.35 g |
| Customs tariff number | 85369010 |
| Country of origin | PL |

3969958

<https://www.phoenixcontact.com/us/products/3969958>

Technical data

Product properties

| | |
|-----------------------|---------------------|
| Product type | Test terminal strip |
| Number of positions | 19 |
| Pitch | 8.2 mm |
| Number of connections | 38 |
| Number of rows | 1 |
| Potentials | 19 |

Insulation characteristics

| | |
|----------------------|-----|
| Overvoltage category | III |
|----------------------|-----|

Electrical properties

| | |
|---|--------|
| Rated surge voltage | 4 kV |
| Maximum power dissipation for nominal condition | 1.31 W |
| Test surge voltage | 5 kV |

Connection data

| | |
|---------------------------------|-------------------|
| Number of connections per level | 38 |
| Nominal cross section | 6 mm ² |

1 level

| | |
|--|--|
| Screw thread | No 8 UNC |
| Tightening torque | 1.5 ... 1.8 Nm |
| Internal cylindrical gage | A5 |
| Connection in acc. with standard | IEC 60947-7-1 |
| Conductor cross section flexible | 0.5 mm ² ... 10 mm ² |
| Conductor cross section, flexible [AWG] | 24 ... 8 (converted acc. to IEC) |
| 2 conductors with same cross section, solid | 0.5 mm ² ... 6 mm ² |
| 2 conductors with same cross section, flexible | 0.5 mm ² ... 6 mm ² |
| Maximum load current | 30 A (with 10 mm ² conductor cross section) |
| Nominal voltage | 400 V AC/DC |
| Nominal cross section | 6 mm ² |

Cable lug connection DIN 46234:1980-03

| | |
|----------------------------------|--|
| Connection in acc. with standard | DIN 46234:1980-03 |
| Cross section | 0.5 mm ² ... 10 mm ² |
| Cross section range AWG | (converted acc. to IEC) |
| Hole diameter | 4.3 mm |
| Width | 8 mm |
| Bolt diameter | 4.1 mm |
| Connection in acc. with standard | DIN 46237:1970-07 |
| Cross section | 0.5 mm ² ... 10 mm ² |
| Cross section range AWG | (converted acc. to IEC) |

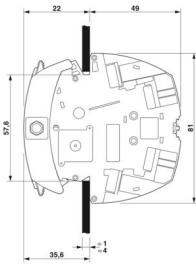
RSCWE 6-3/19 - Test terminal strip

3969958

<https://www.phoenixcontact.com/us/products/3969958>

| | |
|--|---------------------|
| Hole diameter | 4.3 mm |
| Width | 8 mm |
| Bolt diameter | 4.1 mm |
| Identification color of ring cable lugs : red | 1 mm ² |
| Identification color of ring cable lugs : blue | 2.5 mm ² |
| Identification color of ring cable lugs : yellow | 6 mm ² |

Dimensions

| | |
|---------------------|--|
| Dimensional drawing |  |
| Width | 187.5 mm |
| Height | 81 mm |
| Depth | 70.1 mm |
| Pitch | 8.2 mm |
| Plate thickness | 1 mm ... 4 mm |

Material specifications

| | |
|--|------|
| Color | gray |
| Flammability rating according to UL 94 | V0 |
| Insulating material group | I |
| Insulating material | PA |

Mechanical properties

General

| | |
|-------------------------|-----------------|
| Terminal block mounting | 0.8 Nm ... 1 Nm |
|-------------------------|-----------------|

Mechanical data

| | |
|-----------------|----|
| Open side panel | No |
|-----------------|----|

Environmental and real-life conditions

Ambient conditions

| | |
|--|---|
| Ambient temperature (storage/transport) | -25 °C ... 60 °C (for a short time, not exceeding 24 h, -60 °C to +70 °C) |
| Ambient temperature (assembly) | -5 °C ... 70 °C |
| Ambient temperature (actuation) | -5 °C ... 70 °C |
| Permissible humidity (storage/transport) | 30 % ... 70 % |

Standards and regulations

RSCWE 6-3/19 - Test terminal strip



3969958

<https://www.phoenixcontact.com/us/products/3969958>

| | |
|----------------------------------|---------------|
| Connection in acc. with standard | IEC 60947-7-1 |
|----------------------------------|---------------|

Mounting

| | |
|-------------------------|-----------------|
| Mounting type | Wall mounting |
| Plate thickness | 1 mm ... 4 mm |
| Terminal block mounting | 0.8 Nm ... 1 Nm |

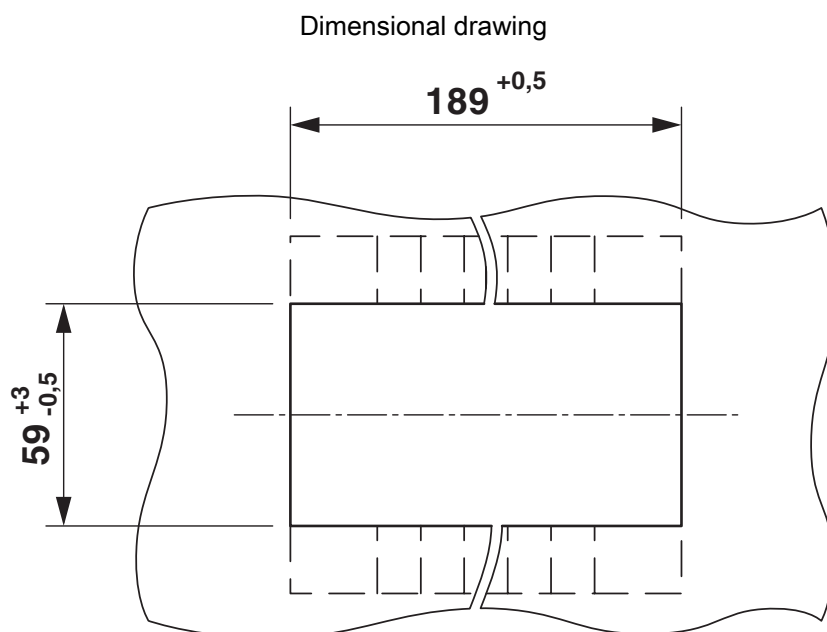
RSCWE 6-3/19 - Test terminal strip

3969958

<https://www.phoenixcontact.com/us/products/3969958>



Drawings



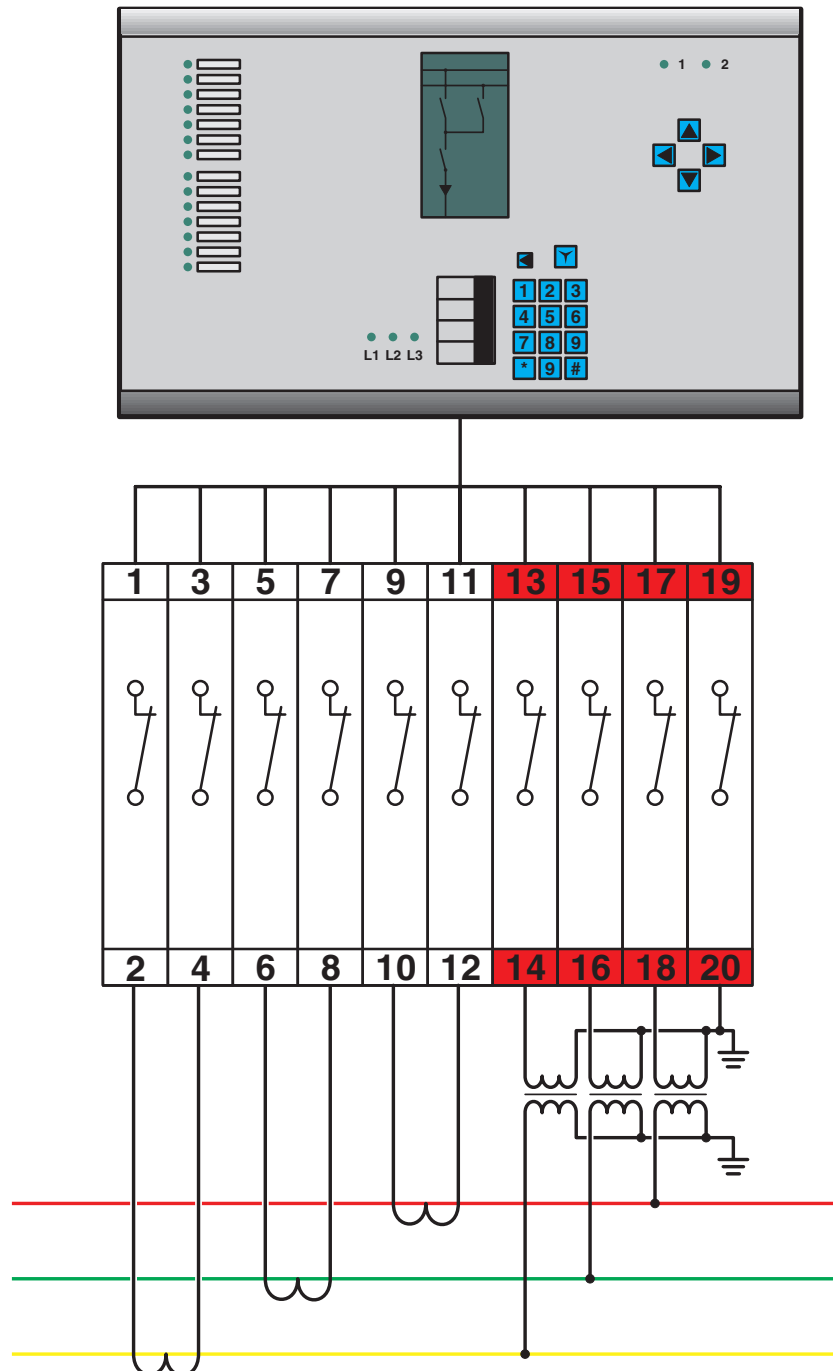
RSCWE 6-3/19 - Test terminal strip

3969958

<https://www.phoenixcontact.com/us/products/3969958>



Circuit diagram

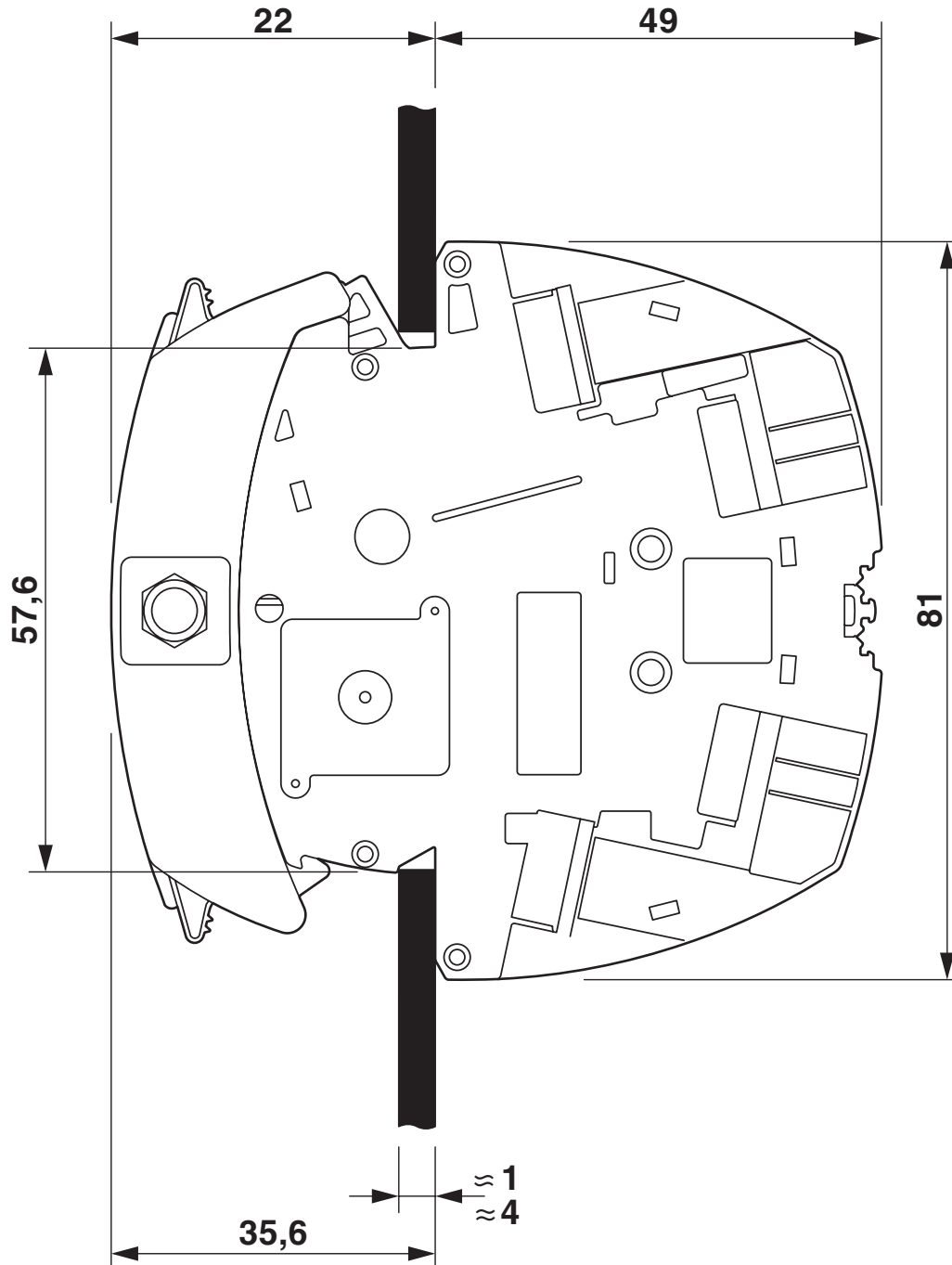


RSCWE 6-3/19 - Test terminal strip

3969958

<https://www.phoenixcontact.com/us/products/3969958>

Dimensional drawing



RSCWE 6-3/19 - Test terminal strip





3969958

<https://www.phoenixcontact.com/us/products/3969958>

Approvals

To download certificates, visit the product detail page: <https://www.phoenixcontact.com/us/products/3969958>

|  cULus Recognized Approval ID: E60425 | | | | |
|--|-----------------------|-----------------------|-------------------|-----------------------------|
| | Nominal voltage U_N | Nominal current I_N | Cross section AWG | Cross section mm^2 |
| Use group B | 600 V | 31 A | 20 - 8 | - |
| Use group C | 600 V | 31 A | 20 - 8 | - |
| Use group D | 600 V | 5 A | 20 - 8 | - |

|  EAC Approval ID: RU C-DE.BL08.B.00682 | |
|---|--|
|---|--|

RSCWE 6-3/19 - Test terminal strip



3969958

<https://www.phoenixcontact.com/us/products/3969958>

Classifications

ECLASS

| | |
|-------------|----------|
| ECLASS-11.0 | 27141126 |
| ECLASS-12.0 | 27141126 |
| ECLASS-13.0 | 27250190 |

ETIM

| | |
|----------|----------|
| ETIM 9.0 | EC002848 |
|----------|----------|

UNSPSC

| | |
|-------------|----------|
| UNSPSC 21.0 | 39121400 |
|-------------|----------|

RSCWE 6-3/19 - Test terminal strip



3969958

<https://www.phoenixcontact.com/us/products/3969958>

Environmental product compliance

EU RoHS

| | |
|---|--------------------|
| Fulfills EU RoHS substance requirements | Yes, No exemptions |
|---|--------------------|

China RoHS

| | |
|--|--|
| Environment friendly use period (EFUP) | EFUP-E |
| | No hazardous substances above the limits |

EU REACH SVHC

| | |
|-------------------------------------|----------------------------|
| REACH candidate substance (CAS No.) | No substance above 0.1 wt% |
|-------------------------------------|----------------------------|

Phoenix Contact 2024 © - all rights reserved
<https://www.phoenixcontact.com>

Phoenix Contact USA
586 Fulling Mill Road
Middletown, PA 17057, United States
(+717) 944-1300
info@phoenixcon.com