

# RSCWE 6-3/20 - Test terminal strip



3969959

<https://www.phoenixcontact.com/pc/products/3969959>

Please be informed that the data shown in this PDF document is generated from our online catalog. Please find the complete data in the user documentation. Our general terms of use for downloads are valid.



Test terminal strip, nom. voltage: 400 V, number of connections: 40, number of positions: 20, connection method: Ring cable lug, 1 level, Rated cross section: 6 mm<sup>2</sup>, mounting type: Wall mounting, color: gray

## Your advantages

- Cost-effective, thanks to the tailored, modular design and use of standardized CLIPLINE complete accessories
- Space saving, thanks to compact, modular test terminal strips
- The integrated, robust switch contact is designed for the most stringent demands, and the use of high-quality materials ensures the transmission of signal currents, even after multiple actuations
- Maximum safety with leading and automatic transformer short circuit

## Commercial data

Item number	3969959
Packing unit	1 pc
Minimum order quantity	1 pc
Product key	BE6113
GTIN	4055626395708
Weight per piece (including packing)	769.28 g
Weight per piece (excluding packing)	686.98 g
Customs tariff number	85369010
Country of origin	PL

3969959

<https://www.phoenixcontact.com/pc/products/3969959>

## Technical data

### Product properties

Product type	Test terminal strip
Number of positions	20
Pitch	8.2 mm
Number of connections	40
Number of rows	1
Potentials	20

### Insulation characteristics

Overvoltage category	III
----------------------	-----

### Electrical properties

Rated surge voltage	4 kV
Maximum power dissipation for nominal condition	1.31 W
Test surge voltage	5 kV

### Connection data

Number of connections per level	40
Nominal cross section	6 mm <sup>2</sup>

#### 1 level

Screw thread	No 8 UNC
Tightening torque	1.5 ... 1.8 Nm
Internal cylindrical gage	A5
Connection in acc. with standard	IEC 60947-7-1
Conductor cross section flexible	0.5 mm <sup>2</sup> ... 10 mm <sup>2</sup>
Conductor cross section, flexible [AWG]	24 ... 8 (converted acc. to IEC)
2 conductors with same cross section, solid	0.5 mm <sup>2</sup> ... 6 mm <sup>2</sup>
2 conductors with same cross section, flexible	0.5 mm <sup>2</sup> ... 6 mm <sup>2</sup>
Maximum load current	30 A (with 10 mm <sup>2</sup> conductor cross section)
Nominal voltage	400 V AC/DC
Nominal cross section	6 mm <sup>2</sup>

#### Cable lug connection DIN 46234:1980-03

Connection in acc. with standard	DIN 46234:1980-03
Cross section	0.5 mm <sup>2</sup> ... 10 mm <sup>2</sup>
Cross section range AWG	(converted acc. to IEC)
Hole diameter	4.3 mm
Width	8 mm
Bolt diameter	4.1 mm
Connection in acc. with standard	DIN 46237:1970-07
Cross section	0.5 mm <sup>2</sup> ... 10 mm <sup>2</sup>
Cross section range AWG	(converted acc. to IEC)

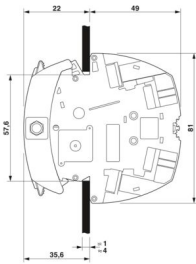
# RSCWE 6-3/20 - Test terminal strip

3969959

<https://www.phoenixcontact.com/pc/products/3969959>

Hole diameter	4.3 mm
Width	8 mm
Bolt diameter	4.1 mm
Identification color of ring cable lugs : red	1 mm <sup>2</sup>
Identification color of ring cable lugs : blue	2.5 mm <sup>2</sup>
Identification color of ring cable lugs : yellow	6 mm <sup>2</sup>

## Dimensions

Dimensional drawing	
Width	195.6 mm
Height	81 mm
Depth	70.1 mm
Pitch	8.2 mm
Plate thickness	1 mm ... 4 mm

## Material specifications

Color	gray
Flammability rating according to UL 94	V0
Insulating material group	I
Insulating material	PA

## Mechanical properties

### General

Terminal block mounting	0.8 Nm ... 1 Nm
-------------------------	-----------------

### Mechanical data

Open side panel	No
-----------------	----

## Environmental and real-life conditions

### Ambient conditions

Ambient temperature (storage/transport)	-25 °C ... 60 °C (for a short time, not exceeding 24 h, -60 °C to +70 °C)
Ambient temperature (assembly)	-5 °C ... 70 °C
Ambient temperature (actuation)	-5 °C ... 70 °C
Permissible humidity (storage/transport)	30 % ... 70 %

## Standards and regulations

# RSCWE 6-3/20 - Test terminal strip



3969959

<https://www.phoenixcontact.com/pc/products/3969959>

Connection in acc. with standard	IEC 60947-7-1
----------------------------------	---------------

## Mounting

Mounting type	Wall mounting
Plate thickness	1 mm ... 4 mm
Terminal block mounting	0.8 Nm ... 1 Nm

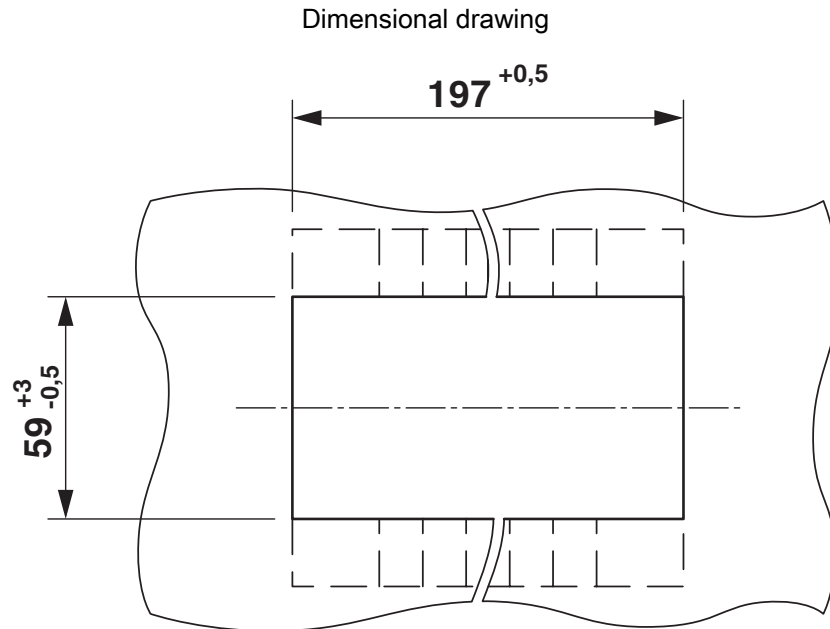
# RSCWE 6-3/20 - Test terminal strip

3969959

<https://www.phoenixcontact.com/pc/products/3969959>



## Drawings



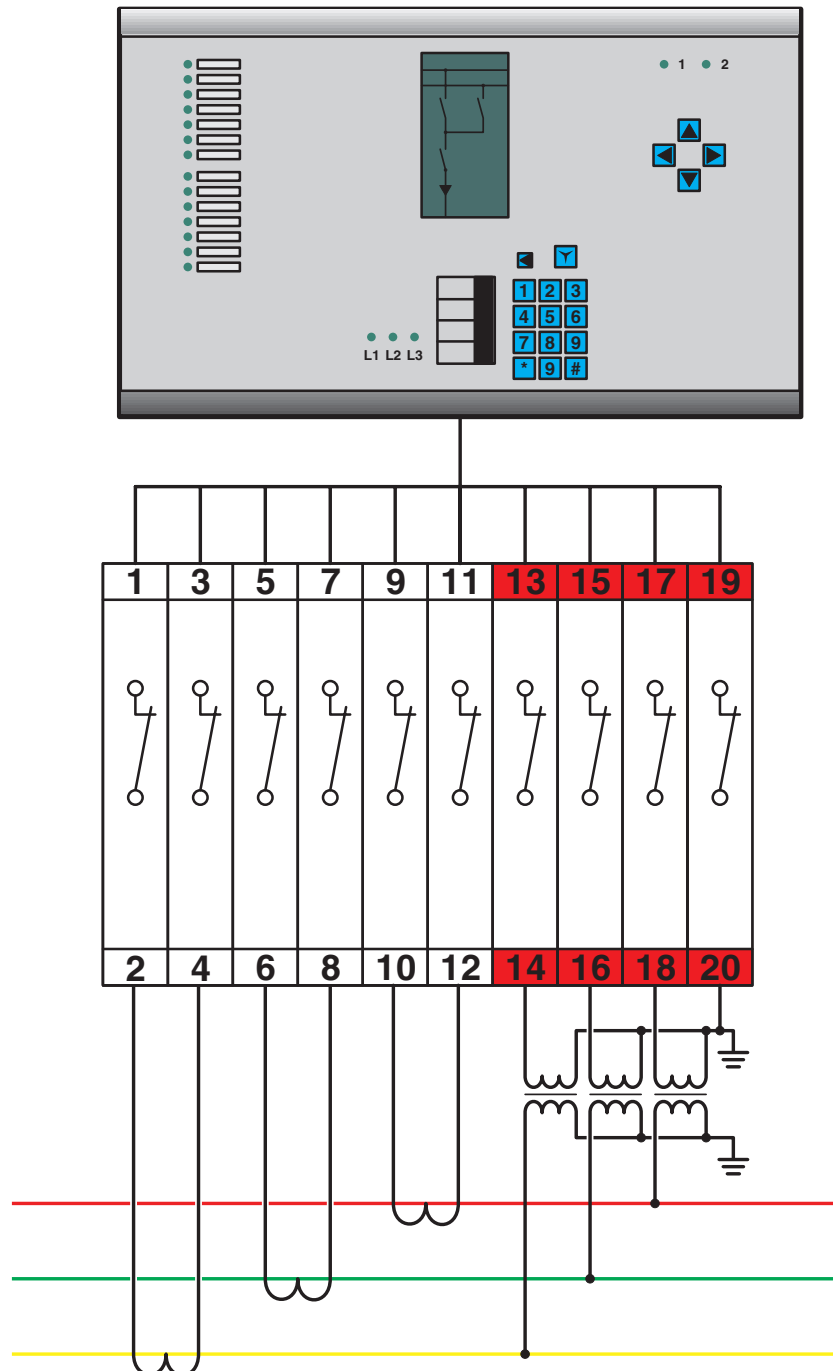
# RSCWE 6-3/20 - Test terminal strip

3969959

<https://www.phoenixcontact.com/pc/products/3969959>



Circuit diagram

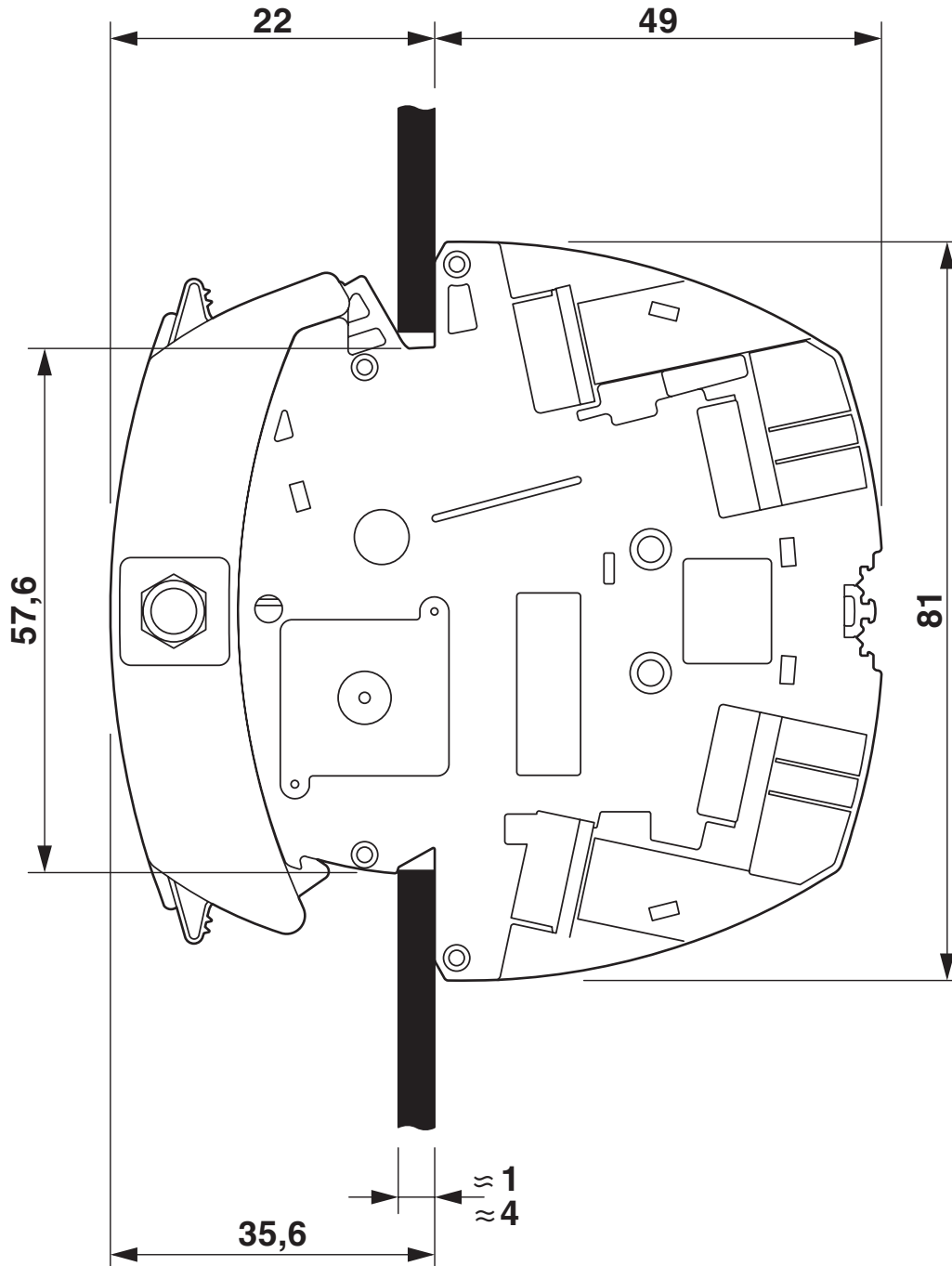


# RSCWE 6-3/20 - Test terminal strip

3969959

<https://www.phoenixcontact.com/pc/products/3969959>

Dimensional drawing



# RSCWE 6-3/20 - Test terminal strip




3969959

<https://www.phoenixcontact.com/pc/products/3969959>

## Approvals

To download certificates, visit the product detail page: <https://www.phoenixcontact.com/pc/products/3969959>

 <b>cULus Recognized</b> Approval ID: E60425				
	Nominal voltage $U_N$	Nominal current $I_N$	Cross section AWG	Cross section $\text{mm}^2$
Use group B	600 V	31 A	20 - 8	-
Use group C	600 V	31 A	20 - 8	-
Use group D	600 V	5 A	20 - 8	-

 <b>EAC</b> Approval ID: RU C-DE.BL08.B.00682	
---	--



# RSCWE 6-3/20 - Test terminal strip



3969959

<https://www.phoenixcontact.com/pc/products/3969959>

## Classifications

### ECLASS

ECLASS-11.0	27141126
ECLASS-12.0	27141126
ECLASS-13.0	27250190

### ETIM

ETIM 9.0	EC002848
----------	----------

### UNSPSC

UNSPSC 21.0	39121400
-------------	----------

# RSCWE 6-3/20 - Test terminal strip



3969959

<https://www.phoenixcontact.com/pc/products/3969959>

## Environmental product compliance

### EU RoHS

Fulfills EU RoHS substance requirements	Yes, No exemptions
---	--------------------

### China RoHS

Environment friendly use period (EFUP)	EFUP-E
	No hazardous substances above the limits

### EU REACH SVHC

REACH candidate substance (CAS No.)	No substance above 0.1 wt%
-------------------------------------	----------------------------

Phoenix Contact 2024 © - all rights reserved  
<https://www.phoenixcontact.com>

PHOENIX CONTACT GmbH & Co. KG  
Flachmarktstraße 8  
D-32825 Blomberg  
+49 (0) 5235-3 00  
[info@phoenixcontact.com](mailto:info@phoenixcontact.com)