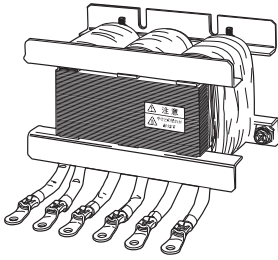


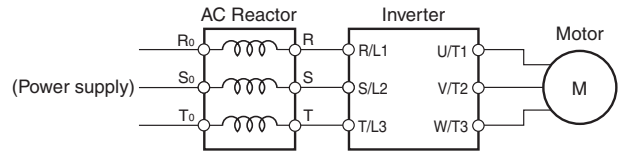
High-function General-purpose Inverters RX-Series V1 type

AC Reactor 3G3AX-AL□□□□

Connect the AC Reactor if the capacity of the power supply is much larger than that of the Inverter or the power factor is required to be improved.



Connection Example



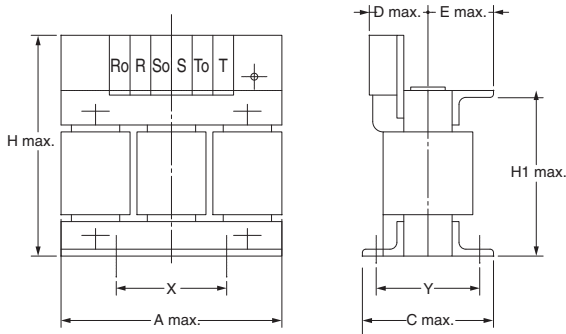
Specifications

Voltage class	Model	Max. applicable motor capacity (kw)	Dimensions (mm)								Weight (kg)
			A	C	D	E	H	H1	X	Y	
200-V class	3G3AX-AL2025	0.4 to 1.5	120	82	60	40	150	94	50	67	2.8
	3G3AX-AL2055	2.2, 3.7	120	98	60	40	150	94	50	75	4.0
	3G3AX-AL2110	5.5, 7.5	150	103	70	55	170	108	60	80	5.0
	3G3AX-AL2220	11, 15	180	113	75	55	190	140	90	90	10.0
	3G3AX-AL2330	18.5, 22	180	113	85	60	230	140	125	90	11.0
	3G3AX-AL2500	30, 37	260	113	85	60	290	202	100	90	19.0
400-V class	3G3AX-AL2750	45, 55	260	144	110	80	290	207	125	112	25.0
	3G3AX-AL4025	0.4 to 1.5	130	82	60	40	150	94	50	67	2.7
	3G3AX-AL4055	2.2, 3.7	130	98	60	40	150	94	50	75	4.0
	3G3AX-AL4110	5.5, 7.5	150	116	75	55	170	106	60	98	6.0
	3G3AX-AL4220	11, 15	180	103	75	55	190	140	100	80	10.0
	3G3AX-AL4330	18.5, 22	180	123	85	60	230	140	100	100	11.5
	3G3AX-AL4500	30, 37	260	113	85	60	290	202	100	90	19.0
	3G3AX-AL4750	45, 55	260	146	110	80	290	207	125	112	25.0

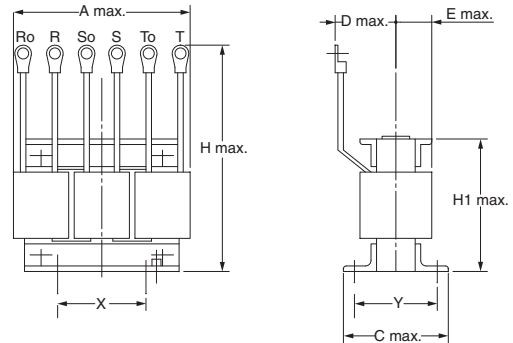
Note: Select options by the maximum applicable motor capacity of heavy and light load rating.

Dimensions (Unit: mm)

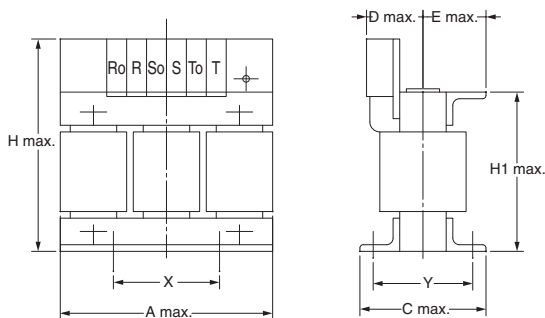
3G3AX-AL2025
3G3AX-AL2055



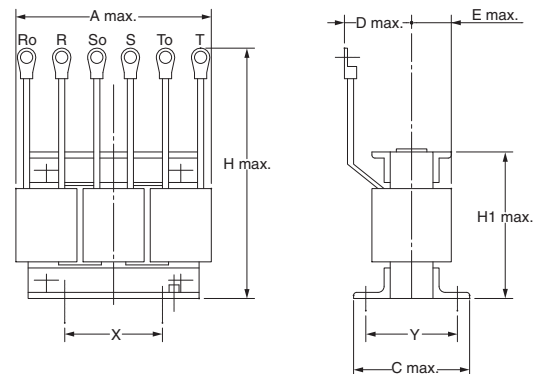
3G3AX-AL2110/3G3AX-AL2220
3G3AX-AL2330/3G3AX-AL2500/3G3AX-AL2750



3G3AX-AL4025/3G3AX-AL4055
3G3AX-AL4110



3G3AX-AL4220/3G3AX-AL4330
3G3AX-AL4500/3G3AX-AL4750



High-function General-purpose Inverters RX-Series V1 type

Name	Specifications of Inverter			Model
	Voltage class	CT: Heavy load (kW)	VT: Light load (kW)	
Output Noise Filter	3-phase 200 VAC/ 3-phase 400 VAC	Applicable motor 200 V class: 0.4 to 0.75 400 V class: 0.4 to 2.2	Applicable motor 200 V class: 0.75 400 V class: 0.75 to 2.2	3G3AX-NFO01
		Applicable motor 200 V class: 1.5, 2.2 400 V class: 3.7	Applicable motor 200 V class: 1.5, 2.2 400 V class: 3.7	3G3AX-NFO02
		Applicable motor 200 V class: 3.7, 5.5 400 V class: 5.5 to 11	Applicable motor 200 V class: 3.7, 5.5 400 V class: 5.5 to 11	3G3AX-NFO03
		Applicable motor 200 V class: 7.5, 11 400 V class: 15 to 22	Applicable motor 200 V class: 7.5, 11 400 V class: 15 to 22	3G3AX-NFO04
		Applicable motor 200 V class: 15 400 V class: 30, 37	Applicable motor 200 V class: 15 400 V class: 30, 37	3G3AX-NFO05
		Applicable motor 200 V class: 18.5, 22 400 V class: 45	Applicable motor 200 V class: 18.5, 22 400 V class: 45	3G3AX-NFO06
		Applicable motor 200 V class: 30, 37 400 V class: 55, 75	Applicable motor 200 V class: 30, 37 400 V class: 55, 75	3G3AX-NFO07
DC Reactor	3-phase 200 VAC	0.4	---	3G3AX-DL2004
		0.75	0.75	3G3AX-DL2007
		1.5	1.5	3G3AX-DL2015
		2.2	2.2	3G3AX-DL2022
		3.7	3.7	3G3AX-DL2037
		5.5	5.5	3G3AX-DL2055
		7.5	7.5	3G3AX-DL2075
		11	11	3G3AX-DL2110
		15	15	3G3AX-DL2150
		18.5, 22	18.5, 22	3G3AX-DL2220
		30	30	3G3AX-DL2300
		37	37	3G3AX-DL2370
	45	45	3G3AX-DL2450	
	55	55	3G3AX-DL2550	
	3-phase 400 VAC	0.4	---	3G3AX-DL4004
		0.75	0.75	3G3AX-DL4007
		1.5	1.5	3G3AX-DL4015
		2.2	2.2	3G3AX-DL4022
		3.7	3.7	3G3AX-DL4037
		5.5	5.5	3G3AX-DL4055
		7.5	7.5	3G3AX-DL4075
		11	11	3G3AX-DL4110
		15	15	3G3AX-DL4150
		18.5, 22	18.5, 22	3G3AX-DL4220
		30	30	3G3AX-DL4300
37		37	3G3AX-DL4370	
45		45	3G3AX-DL4450	
55	55	3G3AX-DL4550		
AC Reactor	3-phase 200 VAC	0.4 to 1.5	0.75 to 1.5	3G3AX-AL2025
		2.2, 3.7	2.2, 3.7	3G3AX-AL2055
		5.5, 7.5	5.5, 7.5	3G3AX-AL2110
		11, 15	11, 15	3G3AX-AL2220
		18.5, 22	18.5, 22	3G3AX-AL2330
		30, 37	30, 37	3G3AX-AL2500
		45, 55	45, 55	3G3AX-AL2750
	3-phase 400 VAC	0.4 to 1.5	0.75 to 1.5	3G3AX-AL4025
		2.2, 3.7	2.2, 3.7	3G3AX-AL4055
		5.5, 7.5	5.5, 7.5	3G3AX-AL4110
		11, 15	11, 15	3G3AX-AL4220
		18.5, 22	18.5, 22	3G3AX-AL4330
		30, 37	30, 37	3G3AX-AL4500
		45, 55	45, 55	3G3AX-AL4750