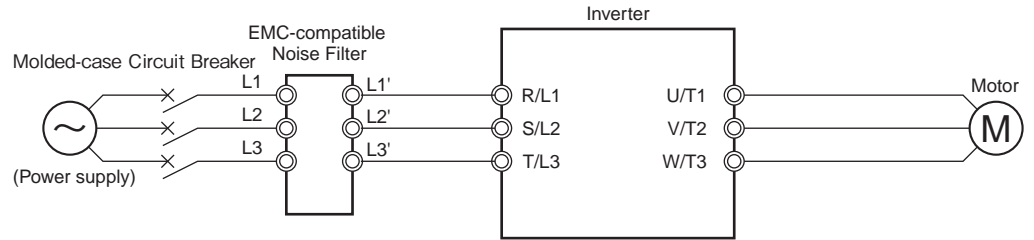
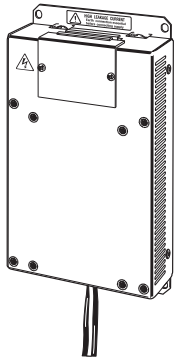


EMC-compatible Noise Filter 3G3AX-EFI□□

Separately installed option used to comply with the EC's EMC Directives. Select a filter appropriate for the Inverter model.

●Connection Example

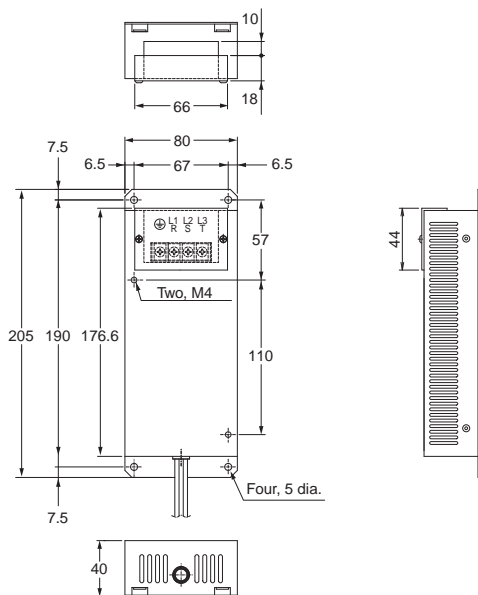


●Specifications

Power supply	Model	Applicable Inverter capacity (kW)			Input current in (A)	Leakage current (mA/phase at 60 Hz)	Case, Enclosure rating	Screw size	Wire size	Weight (kg)	
		1-phase 200 V	3-phase 200 V	3-phase 400 V							
1-phase 200 VAC	3G3AX-EFIB1	0.2, 0.4	---	---	2 × 6A	15	Aluminum, IP20	M4	1.3mm ²	0.43	
	3G3AX-EFIB2	0.75	---	---	2 × 10A	15			2.1mm ²	0.6	
	3G3AX-EFIB3	1.5, 2.2	---	---	2 × 21A	15			3.3 to 5.3mm ²	0.88	
3-phase 200 VAC	3G3AX-EFI21	---	0.2, 0.4	---	3 × 4A	15	Aluminum, IP20	M4	1.3mm ²	0.56	
	3G3AX-EFI22	---	0.75	0.4 to 1.5	3 × 5.2A	16			1.3mm ²	0.72	
	3G3AX-EFI23	---	1.5, 2.2	2.2, 3.7	3 × 14A	16			2.1mm ²	1.2	
	3G3AX-EFI24	---	3.7	---	3 × 22A	16			3.3mm ²	1.3	
	3G3AX-EFI25	---	5.5, 7.5	5.5, 7.5	3 × 40A	90			M5	3.3 to 8.4mm ²	2.4
3-phase 200/400 VAC	3G3AX-EFI41	---	0.4, 0.75	0.4 to 2.2	3 × 7A	150	Plastic, IP00	M4	1.25mm ² , 2mm ²	0.7	
	3G3AX-EFI42	---	1.5	3.7	3 × 10A	150			2mm ²	0.7	
	3G3AX-EFI43	---	2.2, 3.7	5.5, 7.5	3 × 20A	170			M5	2mm ² , 3.5mm ²	1.0
	3G3AX-EFI44	---	5.5	---	3 × 30A	170				5.5mm ²	1.3
	3G3AX-EFI45	---	7.5	---	3 × 40A	170				8mm ²	1.4

●Dimensions (Unit: mm)

3G3AX-EFIB1
3G3AX-EFI21



3G3AX-EFIB2
3G3AX-EFI22

