

# High-function General-purpose Inverters

# RX Series V1 type

## Versatile for a Wide Range of Applications

- Double rating VT 120%/1 min and CT 150% /1 min.
- Drive Programming
- Fieldbus communications with optional unit  
EtherCAT, CompoNet™ and DeviceNet™
- Built-in EMC filter



## Performance Specifications

### Inverter 3G3RX-V1

#### 3-phase 200-V Class

CT: Heavy load rating VT: Light load rating

Item	Model name (3G3RX-)	3-phase 200-V class															
		A2004-V1	A2007-V1	A2015-V1	A2022-V1	A2037-V1	A2055-V1	A2075-V1	A2110-V1	A2150-V1	A2185-V1	A2220-V1	A2300-V1	A2370-V1	A2450-V1	A2550-V1	
Maximum applicable motor capacity (kW)	CT	0.4	0.75	1.5	2.2	3.7	5.5	7.5	11	15	18.5	22	30	37	45	55	
	VT	0.75	1.5	2.2	3.7	5.5	7.5	11	15	18.5	22	30	37	45	55	75	
Rated output capacity (kVA)	200V	CT	1.0	1.7	2.5	3.6	5.7	8.3	11.0	15.9	22.1	26.3	32.9	41.9	50.2	63.0	76.2
		VT	1.2	2.1	3.2	4.1	6.7	10.3	15.2	20.0	25.2	29.4	39.1	48.4	58.5	72.7	93.5
	240V	CT	1.2	2.0	3.1	4.3	6.8	9.9	13.3	19.1	26.6	31.5	39.4	50.2	60.2	75.6	91.4
		VT	1.5	2.6	3.9	4.9	8.1	12.4	18.2	24.1	30.3	35.5	46.9	58.1	70.2	87.2	112.2
Rated input voltage		3-phase 200 V -15% to 240 V +10%, 50/60 Hz ±5%															
Rated input current (A)	CT	3.3	5.5	8.3	12	18	26	35	51	70	84	105	133	160	200	242	
	VT	3.9	7.2	10.8	13.9	23	37	48	64	80	94	120	150	186	240	280	
Rated output voltage		3-phase 200 to 240 V (Cannot exceed that of incoming voltage)															
Rated output current (A)	CT	3.0	5.0	7.5	10.5	16.5	24	32	46	64	76	95	121	145	182	220	
	VT	3.7	6.3	9.4	12	19.6	30	44	58	73	85	113	140	169	210	270	
EMC Noise Filter		Built-in (EMC Directive EN61800-3 Category C3)															
Weight (kg)		3.5	3.5	3.5	3.5	3.5	6	6	6	14	14	14	22	30	30	43	
Braking Resistor circuit	Regenerative braking	Built-in Braking Resistor circuit (separate Discharge Resistor)											Separate Regenerative Braking Unit				
	Min. connectable resistance (Ω)	50	50	35	35	35	16	10	10	7.5	7.5	5	---				
Maximum leakage current (mA)	EMC filter enabled	2.5					48			23							
	EMC filter disabled	0.1															

# High-function General-purpose Inverters RX-Series V1 type

## 3-phase 400-V Class

CT: Heavy load rating VT: Light load rating

Item		Model name (3G3RX-)		3-phase 400-V class									
				A4004-V1	A4007-V1	A4015-V1	A4022-V1	A4037-V1	A4055-V1	A4075-V1	A4110-V1	A4150-V1	A4185-V1
Maximum applicable motor capacity (kW)	CT	0.4	0.75	1.5	2.2	3.7	5.5	7.5	11	15	18.5	22	
	VT	0.75	1.5	2.2	3.7	5.5	7.5	11	15	18.5	22	30	
Rated output capacity (kVA)	400V	CT	1.0	1.7	2.6	3.6	6.2	9.6	13.1	17.3	22.1	26.3	33.2
		VT	1.3	2.1	3.3	4.6	7.6	11.0	15.2	20.0	25.6	29.7	39.4
	480V	CT	1.2	2.0	3.1	4.4	7.4	11.6	15.7	20.7	26.6	31.5	39.9
		VT	1.5	2.5	3.9	5.5	9.2	13.3	18.2	24.1	30.7	35.7	47.3
Rated input voltage		3-phase 380 V -15% to 480 V +10%, 50/60 Hz ±5%											
Rated input current (A)	CT	1.8	2.8	4.2	5.8	9.8	15	21	28	35	42	53	
	VT	2.1	4.3	5.9	8.1	13.3	20	24	32	41	47	63	
Rated output voltage		3-phase 380 to 480 V (Cannot exceed that of incoming voltage)											
Rated output current (A)	CT	1.5	2.5	3.8	5.3	9.0	14	19	25	32	38	48	
	VT	1.9	3.1	4.8	6.7	11.1	16	22	29	37	43	57	
EMC Noise Filter		Built-in (EMC Directive EN61800-3 Category C3)											
Weight (kg)		3.5	3.5	3.5	3.5	3.5	6	6	6	14	14	14	
Braking Resistor circuit	Regenerative braking	Built-in Braking Resistor circuit (separate Discharge Resistor)											
	Min. connectable resistance (Ω)	100	100	100	100	70	70	35	35	24	24	20	
Maximum leakage current (mA)	EMC filter enabled	5					95			56			
	EMC filter disabled	0.2											

Item		Model name (3G3RX-)		3-phase 400-V class							
				A4300-V1	A4370-V1	A4450-V1	A4550-V1	B4750-V1	B4900-V1	B411K-V1	B413K-V1
Applicable motor capacity (kW)	CT	30	37	45	55	75	90	110	132		
	VT	37	45	55	75	90	110	132	160		
Rated output capacity (kVA)	400V	CT	40.1	51.9	63.0	77.5	103.2	121.9	150.3	180.1	
		VT	48.4	58.8	72.7	93.5	110.8	135	159.3	200.9	
	480V	CT	48.2	62.3	75.6	93.1	123.8	146.3	180.4	216.1	
		VT	58.1	70.6	87.2	112.2	133	162.1	191.2	241.1	
Rated input voltage		3-phase 380 V -15% to 480 V +10%, 50/60 Hz ±5%									
Rated input current (A)	CT	64	83	100	121	164	194	239	286		
	VT	77	94	116	149	176	199	253	300		
Rated output voltage		3-phase 380 to 480 V (according to the input voltage)									
Rated output current (A)	CT	58	75	91	112	149	176	217	260		
	VT	70	85	105	135	160	195	230	290		
EMC Noise Filter		Built-in (EMC Directive EN61800-3 Category C3)									
Weight (kg)		22	30	30	30	55	55	70	70		
Braking Resistor circuit	Regenerative braking	Separate Regenerative Braking Unit									
	Min. connectable resistance (Ω)	---									
Maximum leakage current (mA)	EMC filter enabled	56				0.2 (No enabled/disabled setting available)					
	EMC filter disabled	0.2									

# High-function General-purpose Inverters RX-Series V1 type

## Function Specifications

### Inverter 3G3RX-V1

Function name		Specifications	
Enclosure ratings		IP20 (0.4 to 55 kW) IP00 (75 to 132 kW)	
Control method		Phase-to-phase sinusoidal modulation PWM	
Output frequency range		0.1 to 400 Hz	
Frequency precision		Digital command: $\pm 0.01\%$ of the maximum frequency, Analog command: $\pm 0.2\%$ of the maximum frequency ( $25 \pm 10^\circ\text{C}$ )	
Frequency resolution		Digital setting: 0.01 Hz Analog setting: maximum frequency/4000 (Terminal FV: 12 bits/0 to +10 V), (Terminal FE: 12 bits/-10 to 10 V), (Terminal FI: 12 bits/0 to 20 mA)	
Voltage/Frequency characteristics		Heavy load rating (CT): V/f characteristics (constant torque, reduced torque, free V/f setting), sensorless vector control, 0-Hz sensorless vector control, sensor vector control Light load rating (VT) : V/f characteristics (constant torque, reduced torque, free V/f setting), sensorless vector control	
Overload current rating		Heavy load rating (CT): 150%/60 s, 200%/3 s (180%/3 s for 75 kW or more) Light load rating (VT): 120%/60 s, 150%/5 s	
Instantaneous overcurrent protection		200% of the value of heavy load rating (CT)	
Acceleration/Deceleration time		0.01 to 3600 s (linear/curve selection)	
Speed fluctuation		Heavy load rating (CT): $\pm 0.5\%$ *1, *2 Light load rating (VT): $\pm 0.5\%$ *1	
Carrier frequency adjustment range		(For 0.4 to 55kW) Heavy load rating (CT): 0.5 to 15 kHz Light load rating (VT): 0.5 to 12 kHz (For 75 to 132kW) Heavy load rating (CT): 0.5 to 10 kHz Light load rating (VT): 0.5 to 8 kHz	
Starting torque	Sensor less vector control	(For 0.4 to 55kW) Heavy load rating (CT): 200%/0.3 Hz *1 Light load rating (VT): 150%/0.5 Hz *1 (For 75 to 132kW) Heavy load rating (CT): 180%/0.3 Hz *1 Light load rating (VT): 120%/0.5 Hz *1	
	0-Hz sensorless vector control	(For 0.4 to 55kW) Heavy load rating (CT): 150%/Torque at 0 Hz *3 Light load rating (VT): No function available (For 75 to 132kW) Heavy load rating (CT): 130%/Torque at 0 Hz *3 Light load rating (VT): No function available	
External DC injection braking		Operates when the starting frequency is lower than that in deceleration via the STOP command, when the frequency reference is lower than the operation frequency, or via an external input (braking power, time, and frequency are variable)	
Protective functions		Overcurrent protection, Overvoltage protection, Undervoltage protection, Electronic thermal protection, Temperature error protection, Momentary power interruption/Power interruption protection, Input phase loss protection, Braking resistor overload protection, Ground-fault current detection at power-on, USP error, External trip, Emergency shutoff trip, CT error, Communication error, Option error, etc.	
Input signal	Frequency settings	Standard Digital Operator	Setting via   keys
		External signal *4	0 to 10 VDC, -10 to 10 VDC (Input impedance: 10 k $\Omega$ ), 4 to 20 mA (Input impedance: 100 $\Omega$ )
		External port	Setting through RS-485 communications
	Forward or Reverse operation/Stop	Standard Digital Operator	RUN/STOP (Forward/reverse switched via parameter settings)
		External signal	Forward/Stop (Reverse/Stop available at the time of multi-functional input terminal allocation), 3-wire input available (at the time of control circuit terminal block allocation)
		External port	Setting through RS-485 communications
	Multi-function input *5	8 terminals, NO/NC switchable, sink/source logic switchable Heavy load (CT): 8 functions can be selected from among 72 Light load (VT): 8 functions can be selected from among 57	
Thermistor input terminal	1 terminal (Positive/Negative temperature coefficient of resistance element switchable)		
Output signal	Multi-function output *5	5 open collector output terminals: NO/NC switchable, sink/source logic switchable 1 relay (SPDT contact) output terminal: NO/NC switchable Heavy load (CT): 6 functions can be selected from among 55 Light load (VT): 6 functions can be selected from among 51	
	Multi-function monitor output terminal	Analog voltage output (0 to 10 V) *6, Analog current output (0 to 20 mA) *6, Pulse train output (maximum frequency 3.6 kHz)	
Display monitor		Output frequency, Output current, Output torque, Frequency conversion value, Trip record, I/O terminal status, Electric power, etc.	
Other functions		<ul style="list-style-type: none"> <li>Heavy load rating (CT) V/f free setting (7), Upper/lower frequency limit, Frequency jump, Curve acceleration/deceleration, Manual torque boost level/break, Energy-saving operation, Analog meter adjustment, Starting frequency, Carrier frequency adjustment, Electronic thermal function (free setting available), External start/end (frequency/rate), Analog input selection, Trip retry, Restart during momentary power interruption, Various signal outputs, Reduced voltage startup, Overload limit, Initialization value setting, Automatic deceleration at power-off, AVR function, Automatic acceleration/deceleration, Auto tuning (Online/Offline)</li> <li>Light load rating (VT) V/f free setting (7), Upper/lower frequency limit, Frequency jump, Curve acceleration/deceleration, Manual torque boost level/break, Energy-saving operation, Analog meter adjustment, Starting frequency, Carrier frequency adjustment, Electronic thermal function (free setting available), External start/end (frequency/rate), Analog input selection, Trip retry, Restart during momentary power interruption, Various signal outputs, Reduced voltage startup, Overload limit, Initialization value setting, Automatic deceleration at power-off, AVR function, Auto tuning (Online/Offline)</li> </ul>	

\*1 Applicable in the sensorless vector control

\*2 Applicable in the 0-Hz sensorless vector control

\*3 Applicable in the 0 Hz sensorless vector control when using a motor one size smaller in capacity than the inverter

\*4 The maximum frequency is set to 9.8 V for a voltage input of 0 to 10 VDC and to 19.8 mA for an current input of 4 to 20 mA, respectively. If this causes any inconvenience, change the default datas.

\*5 In the VT mode, the available functions are limited compared with the CT mode. The default setting and setting range of some functions also differ.

\*6 The analog voltage and current values for the multi-function monitor output terminals show values that can only be used as a guide for analog meter connection. The maximum output value may differ slightly from 10 V or 20 mA due to the variability of the analog output circuit. If this causes any inconvenience, refer to the RX series V1 type User's Manual. (Man.No.I578) to adjust the default settings.

# High-function General-purpose Inverters RX-Series V1 type

Function name		Specifications	
Operating environment	Ambient operating temperature	Heavy load rating (CT): -10 to 50°C Light load rating (VT): -10 to 40°C	
	Ambient storage temperature	-20 to 65°C	
	Ambient operating humidity	20% to 90% (with no condensation)	
	Vibration resistance *7	5.9m/s <sup>2</sup> (0.6G), 10 to 55Hz / 0.4 to 22kW 2.94m/s <sup>2</sup> (0.3G), 10 to 55Hz / 30 to 132kW	
	Application environment	At a maximum altitude of 1,000 m (without corrosive gases or dust) *8	
Options	PG Board	Sensor vector control 3G3AX-PG01	
	EtherCAT Communication Unit	3G3AX-RX-ECT	
	CompoNet™ Communication Unit	3G3AX-RX-CRT-E	
	DeviceNet™ Communication Unit	3G3AX-RX-DRT-E	
Other options		Braking Resistor, AC reactor, DC reactor, Digital Operator, Digital Operator cables, Noise filter, Regenerative braking unit, etc.	
International standard	EC Directive	EMC Directive	EN61800-3: 2004
		Low Voltage Directive	EN61800-5-1: 2003
	UL/cUL		UL508C

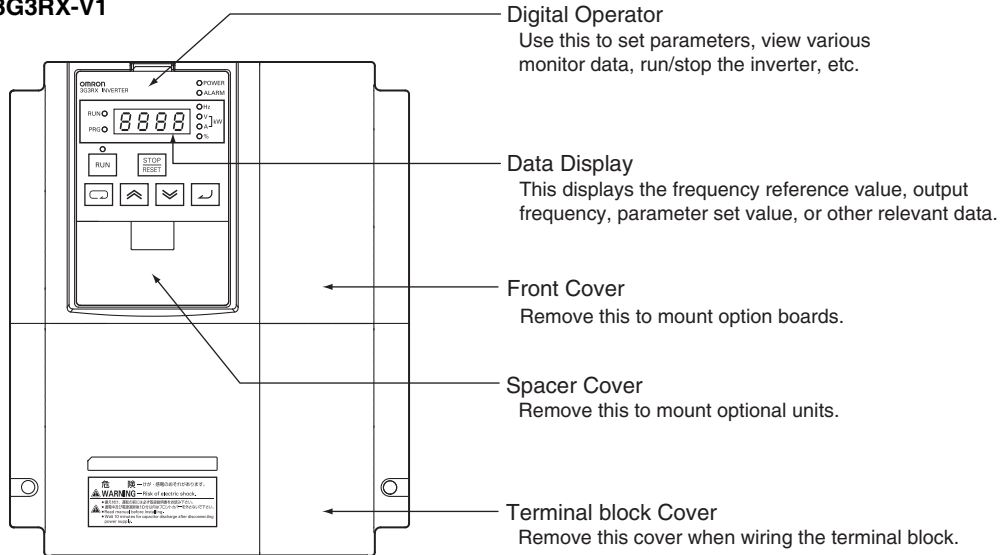
\*7 Complies with the test method specified in JIS C60068-2-6: 2010 (IEC 60068-2-6: 2007).

\*8 If the altitude is higher than 1,000 m, reduce the amount of heat generation because air density decreases by 1% with the increasing altitude by 100 m. For switching devices such as IGBTs, the amount of heat generation is proportional to the current flowing in the device and the applied voltage. Therefore, reduce the value of the rated current by 1% with the increasing altitude by 100 m to use a standard inverter. However, this is applicable to an altitude of 2,500 m or lower.

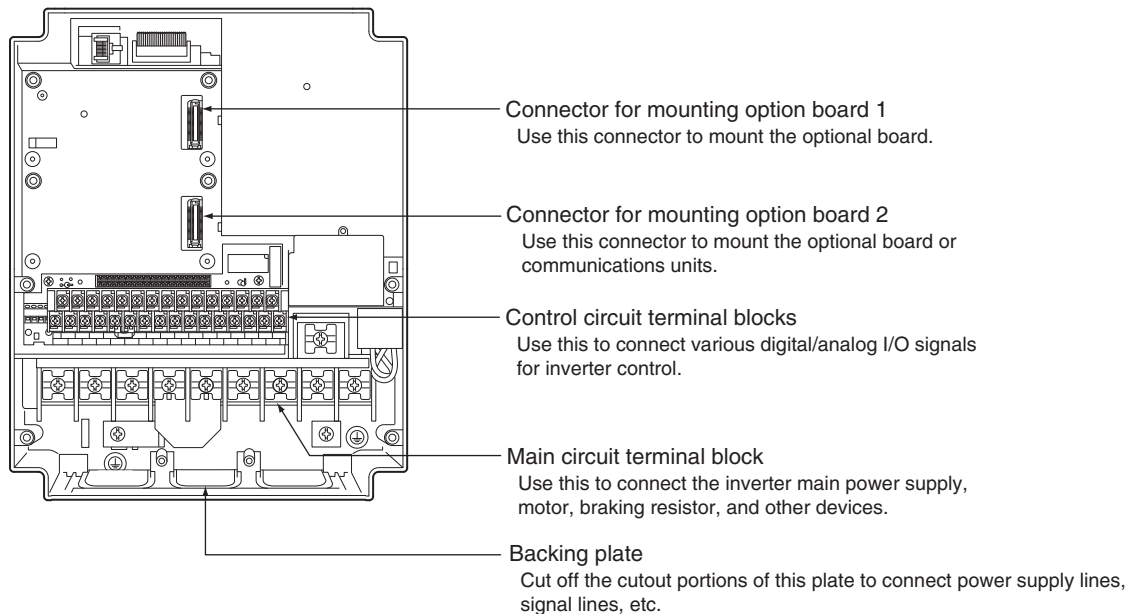
## Components and Functions

**Note:** Example of the 3G3RX-A2055-V1/A2075-V1/A2110-V1/A4055-V1/A4075-V1/A4110-V1

### Inverter 3G3RX-V1

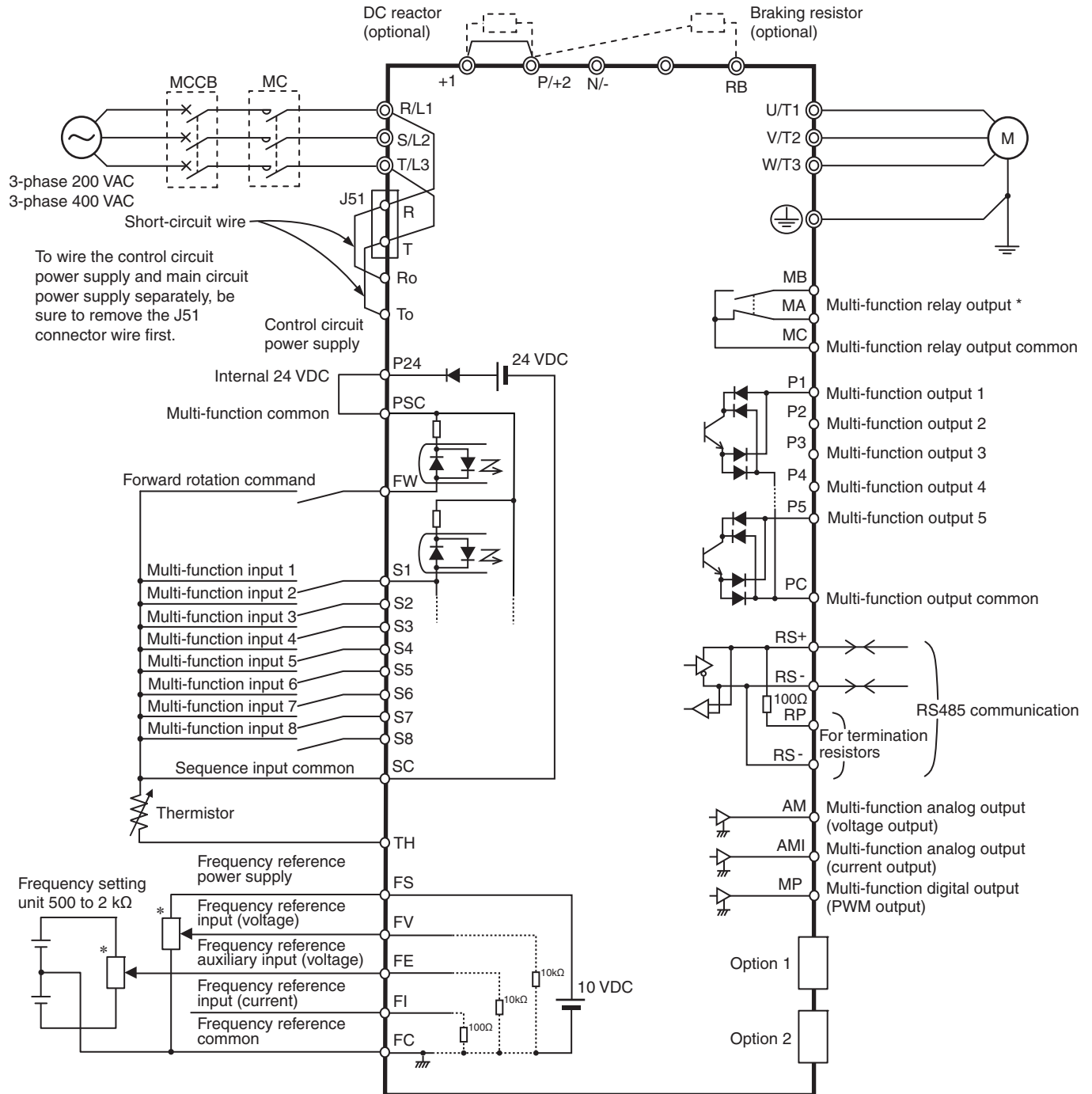


Open the terminal block cover to wire the main circuit terminal block and the control circuit terminal block. Moreover, you can open the front cover to mount option boards.



# High-function General-purpose Inverters RX-Series V1 type

## Connection Diagram



\* Variable volume adjuster (2 kΩ 1/4 W or larger recommended)

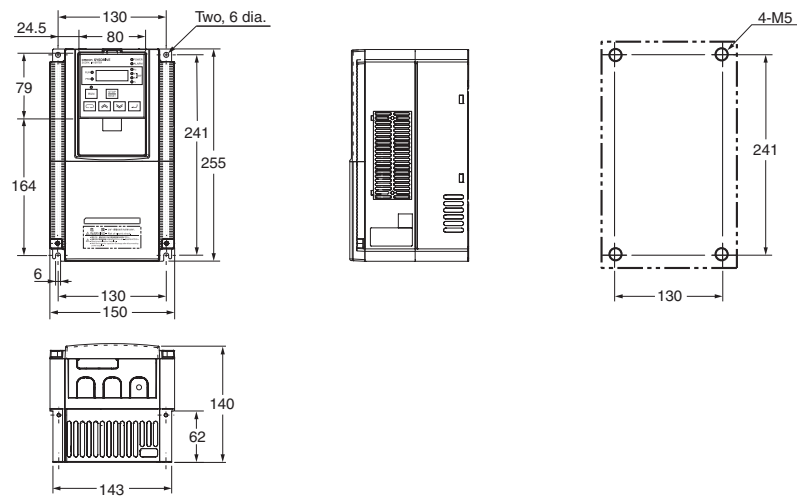
# High-function General-purpose Inverters RX-Series V1 type

## Dimensions

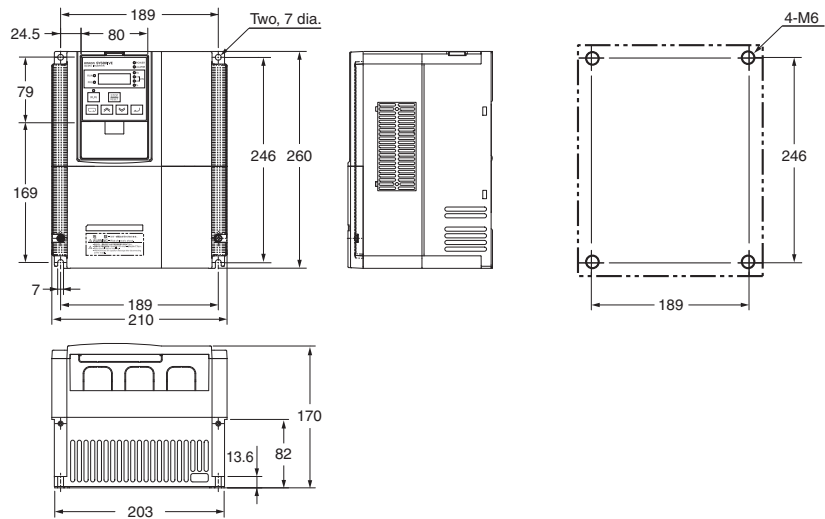
(Unit: mm)

### Inverter 3G3RX-V1

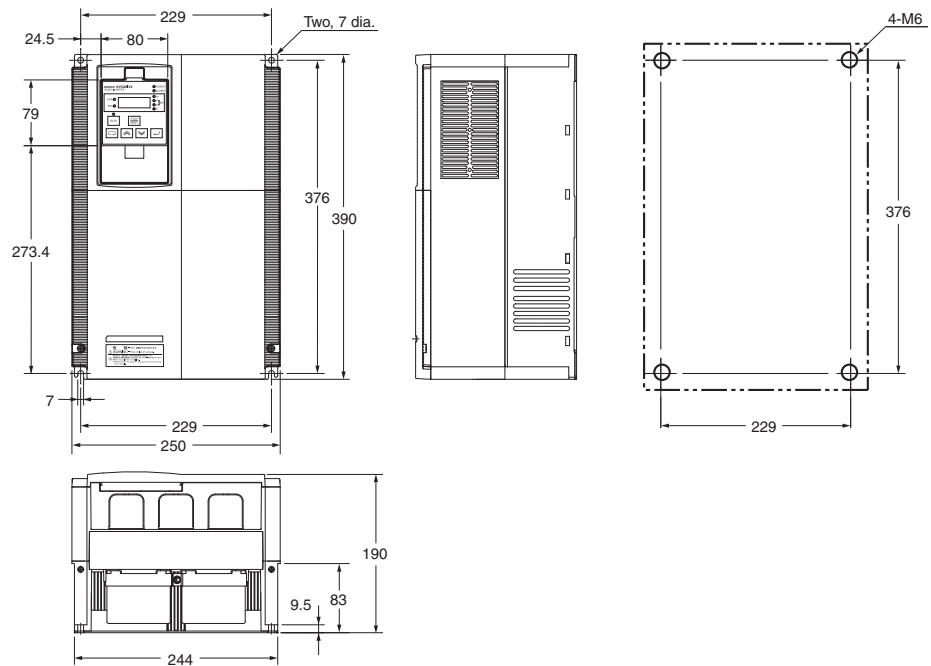
- 3G3RX-A2004-V1
- 3G3RX-A2007-V1
- 3G3RX-A2015-V1
- 3G3RX-A2022-V1
- 3G3RX-A2037-V1
- 3G3RX-A4004-V1
- 3G3RX-A4007-V1
- 3G3RX-A4015-V1
- 3G3RX-A4022-V1
- 3G3RX-A4037-V1



- 3G3RX-A2055-V1
- 3G3RX-A2075-V1
- 3G3RX-A2110-V1
- 3G3RX-A4055-V1
- 3G3RX-A4075-V1
- 3G3RX-A4110-V1

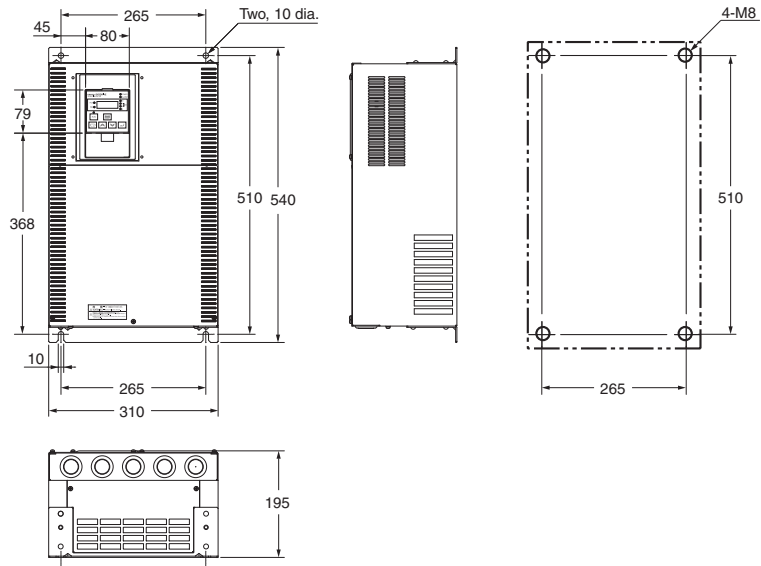


- 3G3RX-A2150-V1
- 3G3RX-A2185-V1
- 3G3RX-A2220-V1
- 3G3RX-A4150-V1
- 3G3RX-A4185-V1
- 3G3RX-A4220-V1

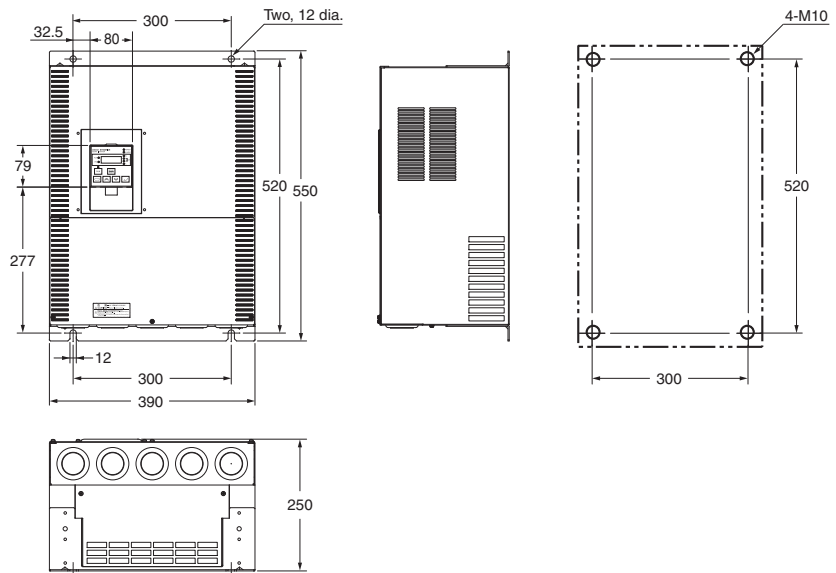


# High-function General-purpose Inverters RX-Series V1 type

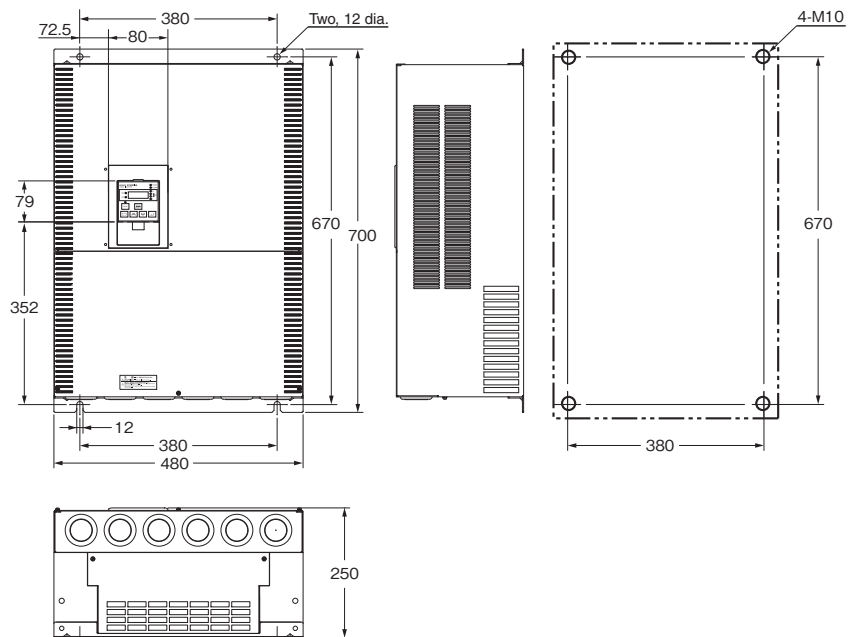
3G3RX-A2300-V1  
3G3RX-A4300-V1



3G3RX-A2370-V1  
3G3RX-A2450-V1  
3G3RX-A4370-V1  
3G3RX-A4450-V1  
3G3RX-A4550-V1

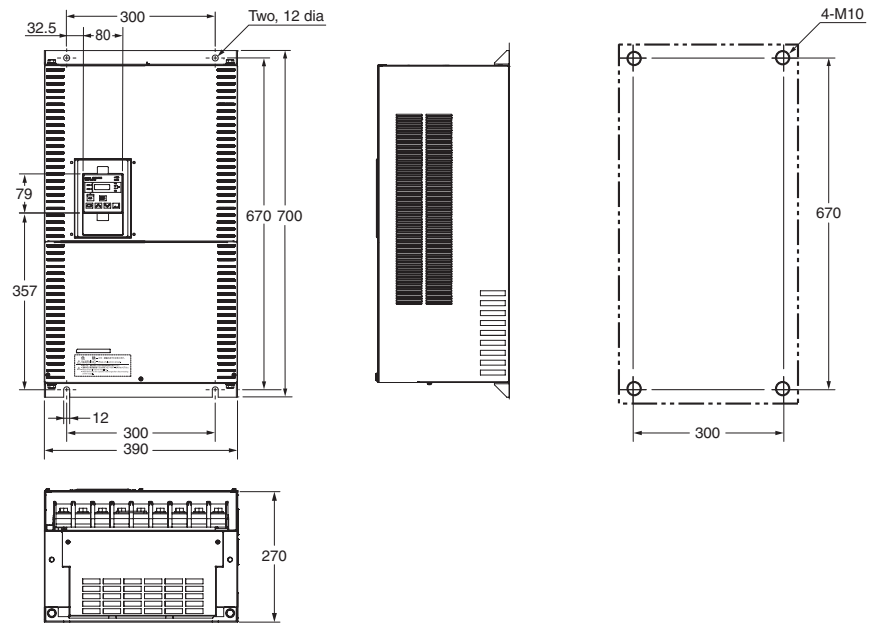


3G3RX-A2550-V1

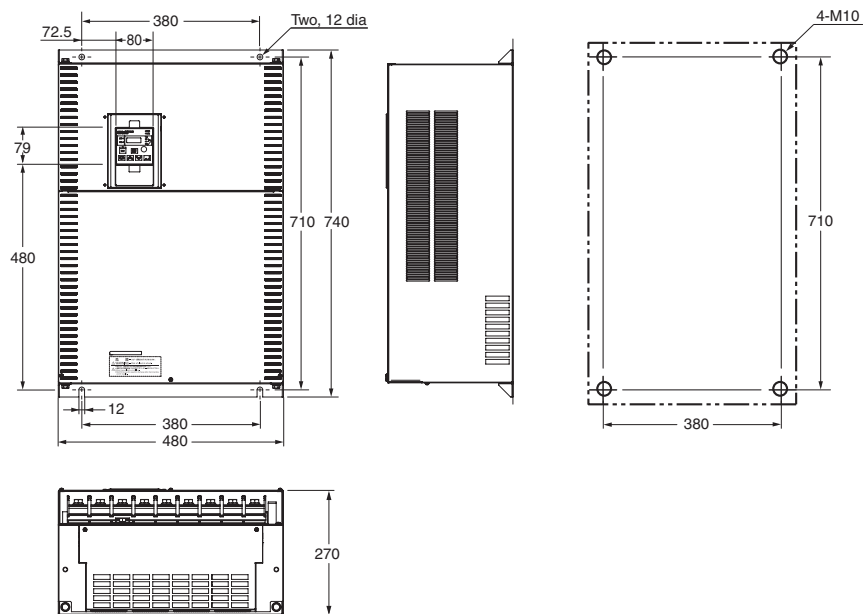


# High-function General-purpose Inverters RX-Series V1 type

3G3RX-B4750-V1  
3G3RX-B4900-V1



3G3RX-B411K-V1  
3G3RX-B413K-V1



# High-function General-purpose Inverters RX-Series V1 type

## Communication Unit

### RX-Series V1 type EtherCAT Communication Unit 3G3AX-RX-ECT

This is the communication unit to connect the High-function General-purpose Inverters RX-series V1 type to EtherCAT network.  
This communication unit passed the conformance test of EtherCAT.

- Note:** 1. It is not possible to use a EtherCAT Communication Unit 3G3AX-RX-ECT with a RX-series (Model without "-V1").  
2. Sysmac Studio can be used when using with NJ/NX-series Controller.  
To connect the NJ Controller, Sysmac Studio version 1.03 or higher is required.  
To connect the NX Controller, Sysmac Studio version 1.13 or higher is required.

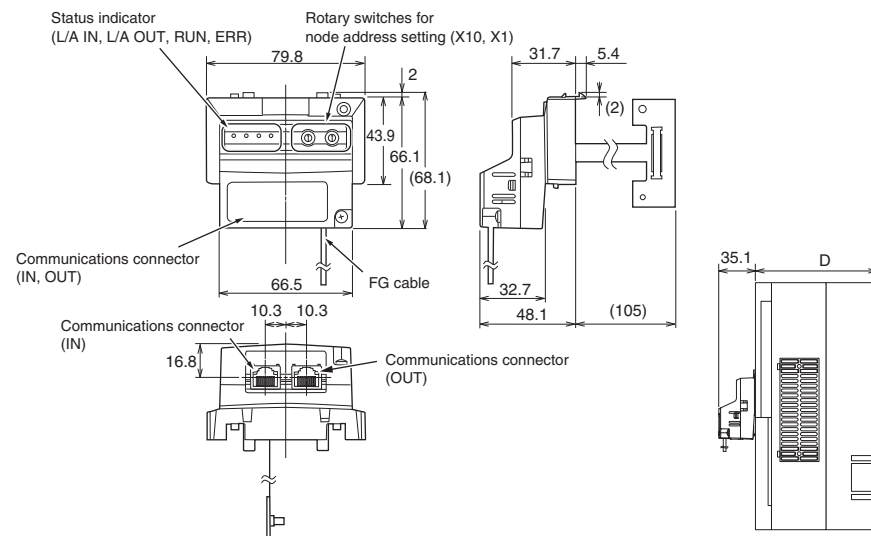
### Common Specifications

Item		Specifications
Power supply		Supplied from the inverter
Protective structure		Open type (IP20)
Ambient operating temperature		-10 to 50°C
Ambient storage temperature		-20 to 65°C
Ambient operating humidity		20% to 90% RH (with no condensation)
Vibration resistance		5.9 m/s <sup>2</sup> (0.6 G), 10 to 55 Hz
Application environment		At a maximum altitude of 1,000 m (without corrosive gases or dust)
Weight		100 g max. (Shipping weight: approx. 200 g)
International standard	UL/cUL	UL508C
	EC Directives	EMC Directive : EN61800-3 Low Voltage Directive : EN61800-5-1

### EtherCAT Communications Specifications

Item	Specifications
Communications standard	IEC 61158 Type12, IEC 61800-7 CiA 402 drive profile
Physical layer	100BASE-TX (IEEE802.3)
Connector	RJ45 x 2 (shielded type) ECAT IN : EtherCAT input ECAT OUT : EtherCAT output
Communications media	Category 5 or higher (cable with double, aluminum tape and braided shielding) is recommended.
Communications distance	Distance between nodes: 100 m max.
Process data	Fixed PDO mapping PDO mapping
Mailbox (CoE)	Emergency messages, SDO requests, SDO responses, and SDO information
Distributed clock	FreeRun mode (asynchronous)
LED display	L/A IN (Link/Activity IN) x 1 L/A OUT (Link/Activity OUT) x 1 RUN x 1 ERR x 1
CiA402 drive profile	Velocity mode

### Dimensions (mm)



**Note:** After the EtherCAT Communication Unit is installed, dimension D of the inverter increases by 35.1 mm.  
(Dimension D of the inverter varies depending on the capacity. Refer to the RX-series V1 type USER'S MANUAL (Cat.No.I578))

# High-function General-purpose Inverters RX-Series V1 type

## RX-Series V1 type CompoNet™ Communication Unit 3G3AX-RX-CRT-E

This is the communication unit to connect the High-function General-purpose Inverters RX-series V1 type to CompoNet™ network.

**Note:** It is not possible to use a CompoNet™ Communication Unit 3G3AX-RX-CRT-E with a RX-series (Model without "-V1").

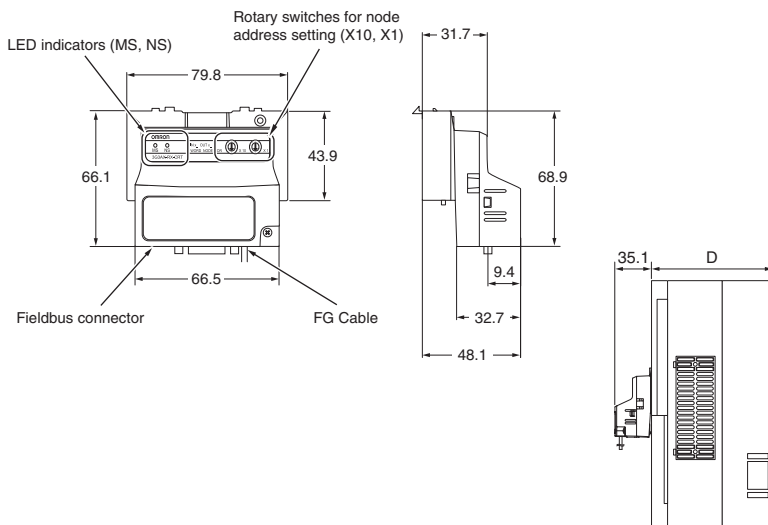
### Common Specifications

Item	Specifications	
Power supply	Supplied from the inverter	
Protective structure	IP20	
Ambient operating temperature	-10 to 50°C	
Ambient storage temperature	-20 to 65°C	
Ambient operating humidity	20% to 90% RH (with no condensation)	
Vibration resistance	5.9 m/s <sup>2</sup> (0.6 G), 10 to 55 Hz	
Application environment	At a maximum altitude of 1,000 m (without corrosive gases or dust)	
Insulation resistance	500VAC (between isolated circuits)	
Weight	100 g max. (Shipping weight: approx. 170 g)	
International standard	UL/cUL	UL508
	EC Directives	EN61800-3 : 2004 (2004/108/EC) Second environment, Category C3 EN61800-5-1 : 2007 (2006/95/EC) SELV

### CompoNet™ Communications Specifications

Item	Specifications
Slave type	Word Slave Unit (Mixed)
Certification	CompoNet™ Conformance Tested
CompoNet™ Profile	AC Drive (0x02)
Communication power supply	--- (External power not required)
Node Address	0 to 63, set with inverter parameter P190 or the rotary switches.
Baud rates supported	4 Mbps, 3 Mbps, 1.5 Mbps, 93.75 kbps. Automatically detecting baud rate of Master Unit
Default Connection path	Supported, set with inverter parameter P046
Supported Assemblies	Basic Remote IO (Output assembly 20, Input assembly 70) Extended Speed IO (21, 71) Extended Speed and Torque Control (123, 173) Special IO (100, 150) Extended Control IO (101, 151) Extended Control IO and Multi function IO monitor (101, 153) Flexible Format (139, 159) Extended Speed and Acceleration Control (110, 111)
EDS file	Depending on the RX-series V1 type inverter model

### Dimensions (mm)



**Note:** After the CompoNet™ Communication Unit is installed, dimension D of the inverter increases by 35.1 mm. (Dimension D of the inverter varies depending on the capacity. Refer to the RX-series V1 type USER'S MANUAL (Cat.No.I578))

# High-function General-purpose Inverters RX-Series V1 type

## RX-Series V1 type DeviceNet™ Communication Unit 3G3AX-RX-DRT-E

This is the communication unit to connect the High-function General-purpose Inverters RX-series V1 type to DeviceNet™ network.

**Note:** It is not possible to use a DeviceNet™ Communication Unit 3G3AX-RX-DRT-E with a RX-series (Model without "-V1").

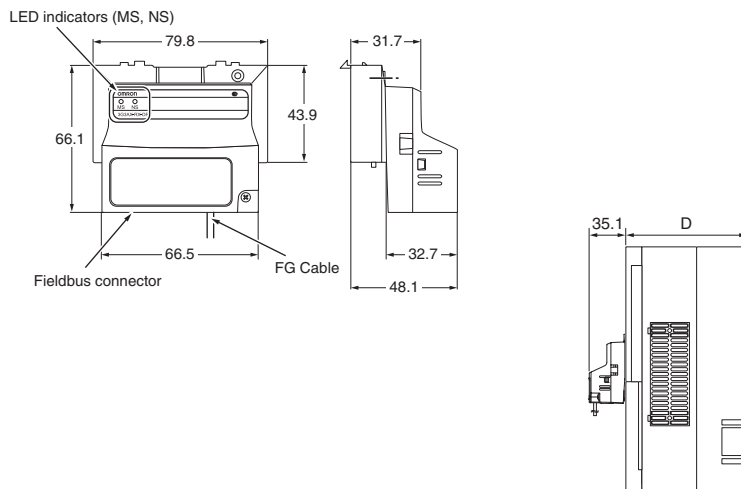
### Common Specification

Item	Specifications	
Power supply	Supplied from the inverter	
Protective structure	IP20	
Ambient operating temperature	-10 to 50°C	
Ambient storage temperature	-20 to 65°C	
Ambient operating humidity	20% to 90% RH (with no condensation)	
Vibration resistance	5.9 m/s <sup>2</sup> (0.6 G), 10 to 55 Hz	
Application environment	At a maximum altitude of 1,000 m (without corrosive gases or dust)	
Insulation resistance	500 VAC (between isolated circuits)	
Weight	100 g max. (Shipping weight: approx. 170 g)	
International standard	UL/cUL	UL508
	EC Directives	EN61800-3 : 2004 (2004/108/EC) Second environment, Category C3 EN61800-5-1 : 2007 (2006/95/EC) SELV

### DeviceNet™ Communications Specifications

Item	Specifications
Certification	DeviceNet™ Conformance Tested
DeviceNet™ Profile	AC Drive (0x02)
Supported connections	Remote I/O: Master-Slave connection Poll Bit-Strobe COS Cyclic Explicit Messages Conform to DeviceNet™ specifications
Communication power supply	11 to 25VDC (MAX 50 mA, type 20 mA)
Unit device address range	MAC ID 0 to 63, set with inverter parameter P192
Baud rates supported	125, 250, or 500 kbps. Automatically detects baud rate of Master Unit.
Default Connection path	Supported, set with inverter parameter P046
Supported Assemblies	Basic Remote IO (Output assembly 20, Input assembly 70) Extended Speed IO (21, 71) Extended Speed and Torque Control (123, 173) Special IO (100, 150) Extended Control IO (101, 151) Extended Control IO and Multi function IO monitor (101, 153) Flexible Format (139, 159) Extended Speed and Acceleration Control (110, 111) In case the DeviceNet™ master is configured using user allocation, only the input /output pairs can be configured.
EDS file	Depending on the RX-series V1 type inverter model

### Dimensions (mm)



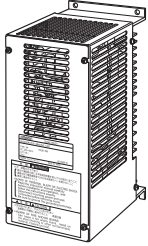
**Note:** After the DeviceNet™ Communication Unit is installed, dimension D of the inverter increases by 35.1 mm. (Dimension D of the inverter varies depending on the capacity. Refer to the RX-series V1 type USER'S MANUAL (Cat.No.1578))

# High-function General-purpose Inverters RX-Series V1 type

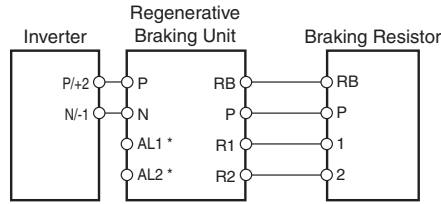
## Options

### Regenerative Braking Unit 3G3AX-RBU□□

Used with a Braking Resistor when the deceleration time of the motor is needed to be reduced in the 3G3RX.



#### Connection Example



\* The alarm output terminals for the Regenerative Braking Unit. Provide a circuit to turn off the primary power supply for the Inverter when the temperature relay of the built-in resistor or optional Braking Resistor is activated.

## Specifications

### Built-in Resistance Type (3G3AX-RBU21/-RBU22/-RBU41)

Class		3-phase 200-V class		3-phase 400-V class
Model name (3G3AX-)		RBU21	RBU22	RBU41*1
Connection resistance		17 Ω min.	17 Ω min.	34 Ω min.
Operating voltage ON/OFF		ON : 362.5 ± 5 V OFF: 355 ± 5 V (-5% or -10% setting available)		ON : 725 ± 5 V OFF: 710 ± 5 V (-5% or -10% setting available)
Operation indication		LED ON (Lit)		
Parallel interlocking operation function*2		5 units max.		
Built-in resistor	Internal resistance	120 W, 180 Ω	120 W, 20 Ω	120 W, 180 Ω × 2 in series
	Allowable consecutive ON time	10 s max.	0.5 s max.	10 s max.
	Allowable operation cycle	Cycle 1/10 (ON for 10 s, OFF for 90 s)	Cycle 1/80 (ON for 0.5 s, OFF for 40 s)	Cycle 1/10 (ON for 10 s, OFF for 90 s)
	Power consumption	Instantaneous 0.73 kW Short-time rating 120 W	Instantaneous 6.6 kW Short-time rating 120 W	Instantaneous 1.46 kW Short-time rating 240 W
Protective function	Built-in resistor overheat protection	<ul style="list-style-type: none"> <li>Cooling fin temperature Relay operates at approximately 200°C or higher. Recovers at approximately 170°C or lower.</li> <li>Built-in temperature fuse (recovery impossible)*3</li> <li>Rating of contact 250 V AC 200mA (R load) 12 V DC 500mA (R load) 42 V DC 200mA (R load)</li> <li>Minimum load 1mA (R load)</li> </ul>		
Operating environment	Ambient temperature	-10 to 50°C		
	Ambient storage temperature	-20 to 65°C		
	Ambient operating humidity	20% to 90% (with no condensation)		
	Vibration	5.9 m/s <sup>2</sup> (0.6G) 10 to 55 Hz		
	Location	At a maximum altitude of 1,000 m (without corrosive gases or dust)		
Paint color		Munselle 5Y7/1 (cooling fan: aluminum ground color)		

\*1 To use the braking resistor (Model: 3G3AX-RAB/RBB/RBC) for the 400-V class regenerative braking unit, be sure to remove the built-in resistor and connect two resistors of the same model in series. Using a 400-V class regenerative braking unit with only a single braking resistor connected may cause damage to the braking resistor.

\*2 Use DIP switches to set the number of connected units.

\*3 The built-in resistor has a thermal fuse. If the alarm terminals are not connected, the fuse may blow out in order to prevent the resistor from burning due to overheating. If the fuse blows out, the built-in resistor must be replaced.

## Specifications

### External resistor type (3G3AX-RBU23/-RBU24/-RBU42/-RBU43)

Class		3-phase 200-V class		3-phase 400-V class	
Model name (3G3AX-)		RBU23	RBU24	RBU42*1	RBU43*1
Discharge resistance	Continuous operation	6 Ω min.	4 Ω min.	24 Ω min.	12 Ω min.
	Short-time/ operation	4 Ω min.	2 Ω min.	10 Ω min.	6 Ω min.
	Allowable operation cycle/ Continuous ON time	1/5 2 min	1/5 2 min	1/10 10 s	1/5 2 min
Operating voltage ON/OFF		ON: 362.5 ± 5 V OFF: 355 ± 5 V (-5% or -10% setting available)		ON: 725 ± 5 V OFF: 710 ± 5 V (-5% or -10% setting available)	
Operation indication		LED ON (Lit)			
Maximum number of units operating in parallel*2		2 units max.			
Protective functions	Internal power module overheat protection	Built-in relay specifications Cooling fin temperature Relay operates at approximately 100°C or higher.			
		<ul style="list-style-type: none"> <li>Rating of contact : 240 V AC 3 A (R load) 36 V DC 2 A (R load)</li> <li>Minimum load : 5 V DC 50 mA (R load)</li> </ul>			
Operating environment	Ambient temperature	-10 to 50°C			
	Ambient storage temperature	-20 to 65°C			
	Ambient operating humidity	20% to 90% (with no condensation)			
	Vibration	4.9 m/s <sup>2</sup> (0.5G) 10 to 55 Hz			
	Location	At a maximum altitude of 1,000 m (without corrosive gases or dust)			
Paint color		Munselle 5Y7/1 (cooling fan: aluminum ground color)			

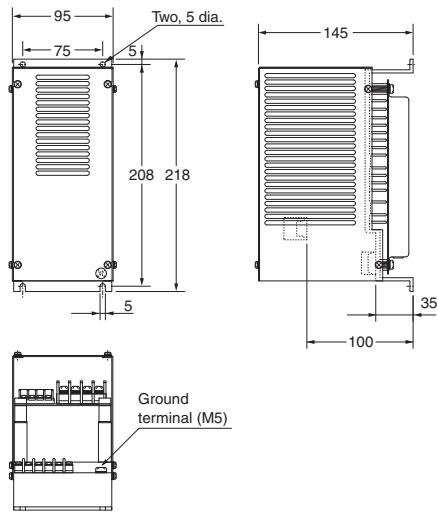
\*1 To use the braking resistor (3G3AX-RAB/RBB/RBC) for the 400-V class regenerative braking unit, be sure to remove the built-in resistor and connect two resistors of the same model in series. Using a 400-V class regenerative braking unit with only a single braking resistor connected may cause damage to the braking resistor.

\*2 Use DIP switches to set the number of connected units.

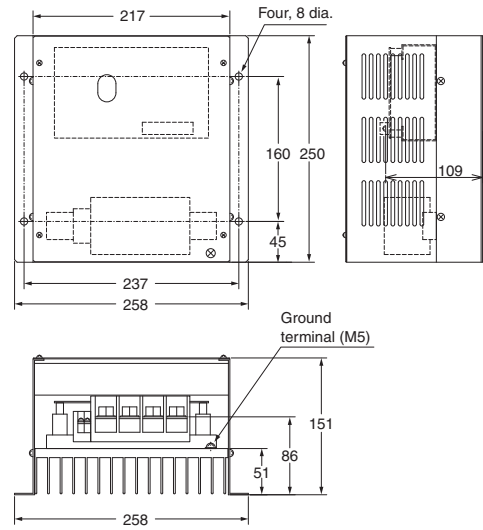
# High-function General-purpose Inverters RX-Series V1 type

## Dimensions (Unit: mm)

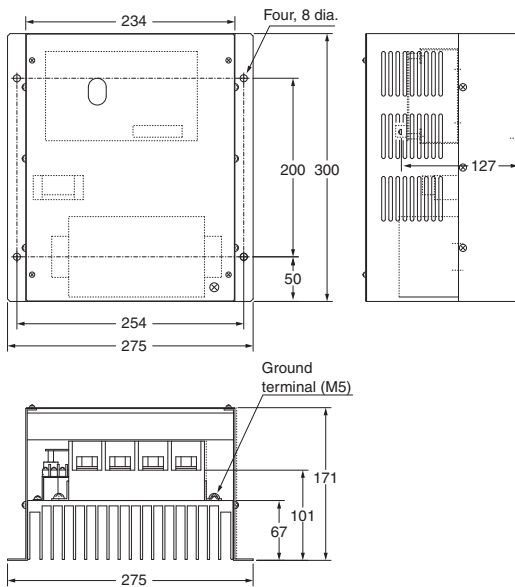
3G3AX-RBU21/-RBU22/-RBU41



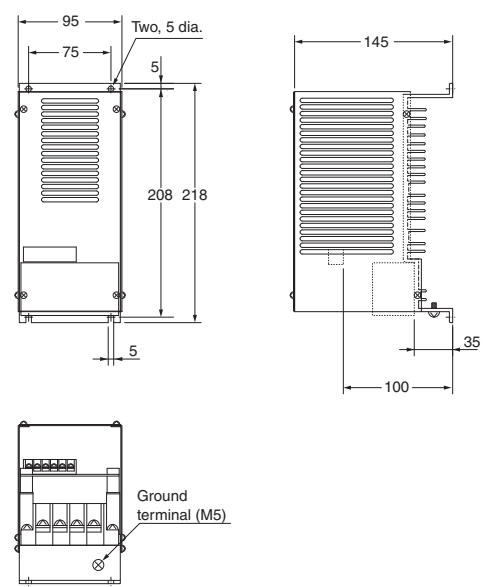
3G3AX-RBU23



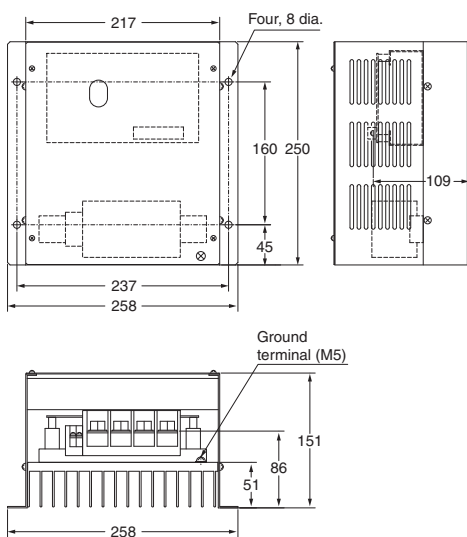
3G3AX-RBU24



3G3AX-RBU42



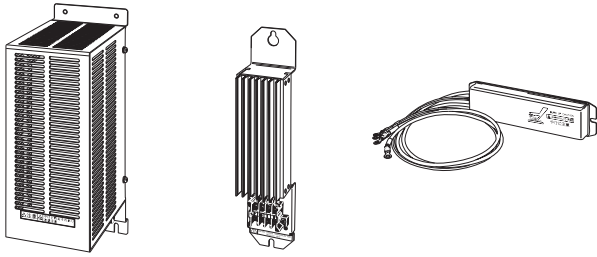
3G3AX-RBU43



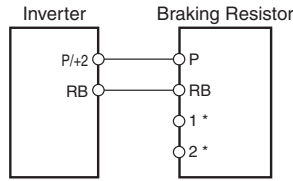
# High-function General-purpose Inverters RX-Series V1 type

## Braking Resistor 3G3AX-RBA/RBB/RBC□□□□

Consumes the regenerative motor energy with a resistor to reduce deceleration time.



### Connection Example



\* The alarm output terminals for the Braking Resistor. Provide a circuit to turn off the primary power supply for the Inverter when the temperature relay of the Braking Resistor is activated.

## Specifications

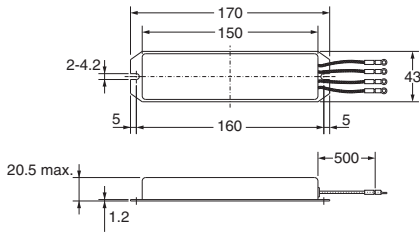
Model		Compact type (3G3AX-RBA□□□□)				Standard type (3G3AX-RBB□□□□)				Medium capacity type (3G3AX-RBC□□□□)		
		1201	1202	1203	1204	2001	2002	3001	4001	4001	6001	12001
Resistance	Capacity	120 W				200 W		300 W	400 W	400 W	600 W	1200 W
	Resistance (Ω)	180	100	50	35	180	100	50	35	50	35	17
Allowable braking frequency (%)		5	2.5	1.5	1.0	10	7.5	7.5	7.5	10		
Allowable continuous braking time (s)		20	12	5	3	30			20	10		
Weight (kg)		0.27				0.97		1.68	2.85	2.5	3.6	6.5
Fault detection function		Built-in thermal (Contact capacity: 240 V AC 2 A max.) Minimum current: 5 mA, Normally ON (NC contact) Built-in temperature fuse (recovery impossible)							Built-in temperature relay, Normally ON (NC contact) Contact capacity: 240 V AC 3 A (R load), 0.2 A (L load), 36 V DC 2 A (R load)			
General specifications	Ambient operating temperature	-10 to 50°C										
	Ambient storage temperature	-20 to 65°C										
	Ambient operating humidity	20% to 90% (RH) with no condensation										
	Vibration	5.9 m/s (0.6 G) 10 to 55 Hz Complies with JISC0911										
	Location	At a maximum altitude of 1,000 m (without corrosive gases or dust)										
Cooling method		Self-cooling										

\* Built-in resistors are equipped with thermal fuses. If the alarm is not connected, the fuse may blow to prevent burnout due to overheating. If the fuse blows, the built-in resistor will need to be replaced.

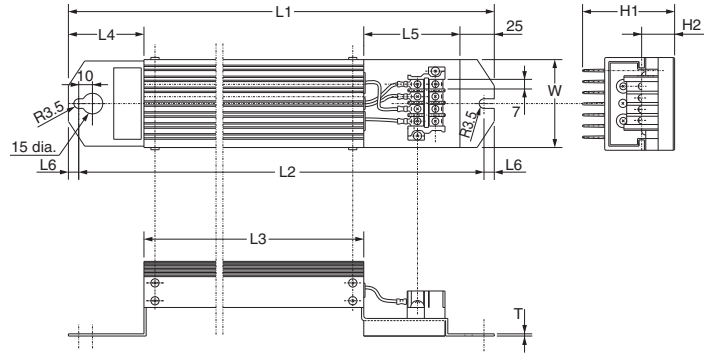
# High-function General-purpose Inverters RX-Series V1 type

## Dimensions (Unit: mm)

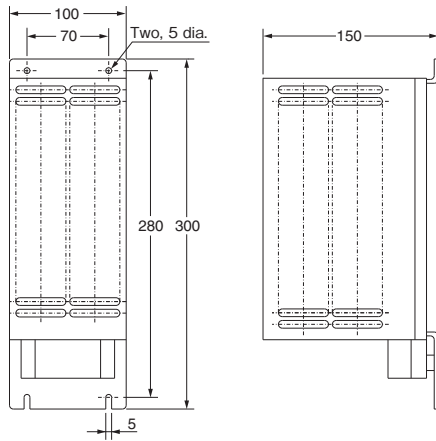
3G3AX-RBA



3G3AX-RBB



3G3AX-RBC4001

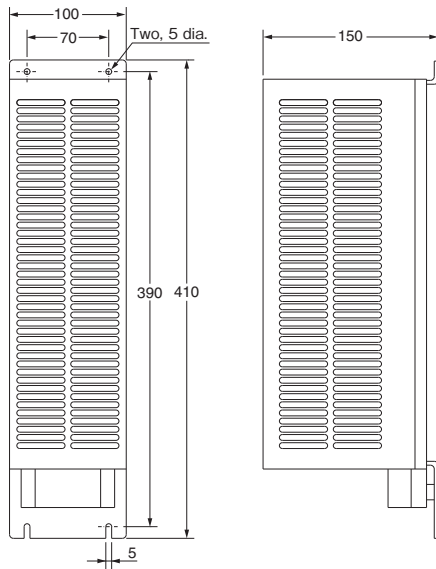


Model	Dimensions (mm)					
	L1	L2	L3	L4	L5	L6
3G3AX-RBB2001	310	295	160	55	70	7.5
3G3AX-RBB2002	310	295	160	55	70	7.5
3G3AX-RBB3001	470	455	320	55	70	7.5
3G3AX-RBB4001	435	422	300	50	60	6.5

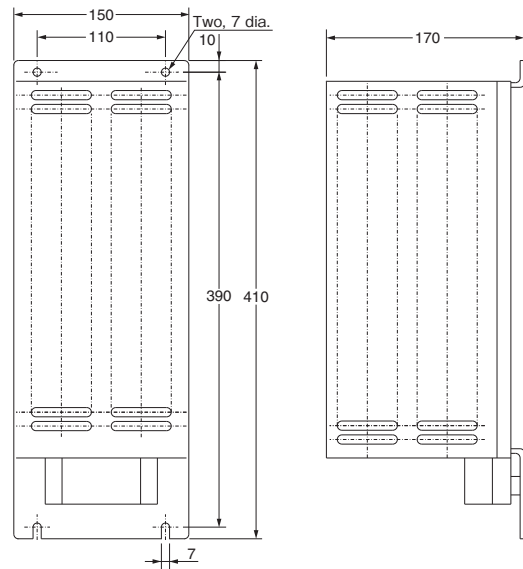
  

Model	Dimensions (mm)				Weight (kg)	Screw size
	H1	H2	W	T		
3G3AX-RBB2001	67	12	64	1.6	0.97	M3.5
3G3AX-RBB2002	67	12	64	1.6	0.97	
3G3AX-RBB3001	67	12	64	1.6	1.68	
3G3AX-RBB4001	94	15	76	2	2.85	

3G3AX-RBC6001



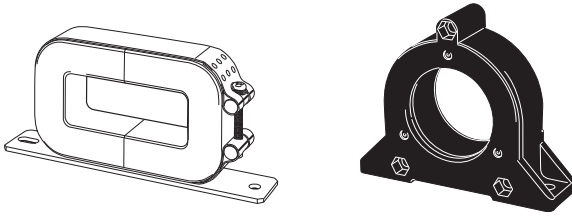
3G3AX-RBC12001



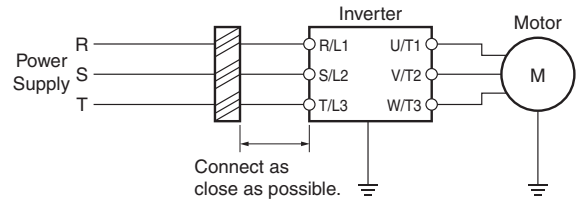
# High-function General-purpose Inverters RX-Series V1 type

## Radio Noise Filter 3G3AX-ZCL□

Connected to the inverter input/output cables to reduce noise coming into the inverter from the power supply line and noise flowing from the inverter into the power supply line.



### Connection Example



- Note 1: Wind each of three phase wires in the same direction.  
 2: Can be used on both the input and output sides of the Inverter.

### Specifications

#### 3G3AX-ZCL1

Applicable Inverter capacity (kW)	200 V class				400 V class			
	Input		output		Input		output	
	Quantity	No. of turns	Quantity	No. of turns	Quantity	No. of turns	Quantity	No. of turns
0.2	1	4	1	4	1	4	1	4
0.4	1	4	1	4	1	4	1	4
0.75	1	4	1	4	1	4	1	4
1.5	1	4	1	4	1	4	1	4
2.2	1	4	1	4	1	4	1	4
3.0	1	4	1	4	1	4	1	4
3.7	1	4	1	4	1	4	1	4
4.0	1	4	1	4	1	4	1	4
5.5	1	4	1	4	1	4	1	4
7.5	1	4	1	4	1	4	1	4
11	1	4	1	4	1	4	1	4
15	1	4	1	4	1	4	1	4

### Specifications

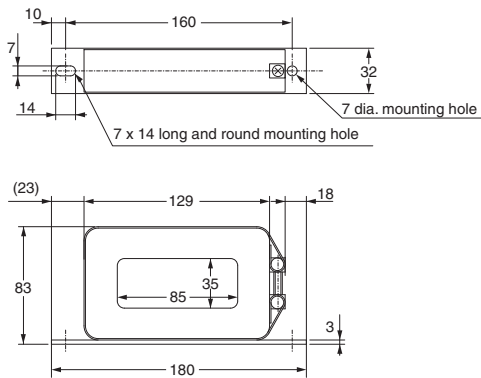
#### 3G3AX-ZCL2

Applicable Inverter capacity (kW)	200 V class				400 V class			
	Input		output		Input		output	
	Quantity	No. of turns	Quantity	No. of turns	Quantity	No. of turns	Quantity	No. of turns
0.1	1	4	1	4	1	4	1	4
0.2	1	4	1	4	1	4	1	4
0.4	1	4	1	4	1	4	1	4
0.75	1	4	1	4	1	4	1	4
1.5	1	4	1	4	1	4	1	4
2.2	1	4	1	4	1	4	1	4
3.0	1	4	1	4	1	4	1	4
3.7	1	4	1	4	1	4	1	4
4.0	1	4	1	4	1	4	1	4
5.5	1	4	1	4	1	4	1	4
7.5	1	4	1	4	1	4	1	4

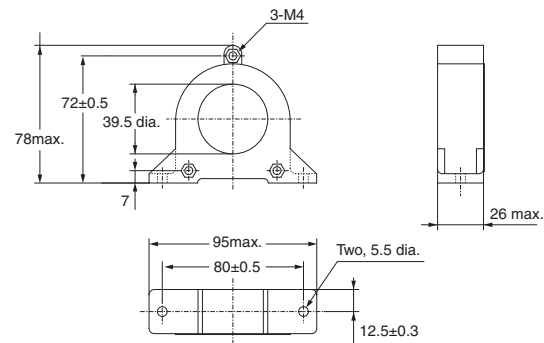
Note: Select options by the maximum applicable motor capacity of heavy and light load rating.

### Dimensions (Unit: mm)

#### 3G3AX-ZCL1



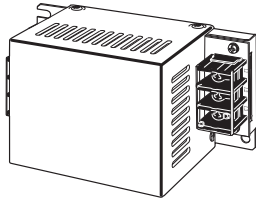
#### 3G3AX-ZCL2



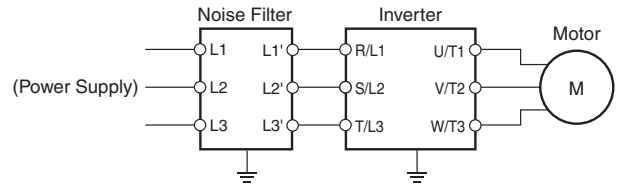
# High-function General-purpose Inverters RX-Series V1 type

## Input Noise Filter 3G3AX-NFI□□

Reduces noise coming into the inverter from the power supply line and noise flowing from the inverter into the power supply line. Connect as close to the Inverter as possible.



### Connection Example



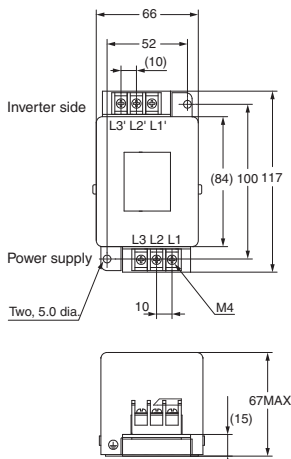
## Specifications

Voltage class	Max. applicable motor capacity (kw)	Model	Max. input voltage	Rated input current (at 50°C)	Heat generation (W)	Leakage current at 60 Hz	Case enclosure rating	Terminal size	Wire diameter	Weight (kg)
200 V class	0.4, 0.75	3G3AX-NFI21	250V AC +10%	6A	3	1.5mA MAX (250V AC)	Plastic, IP00	M4	1.25 mm <sup>2</sup>	0.5
	1.5	3G3AX-NFI22		10A	4		Plastic, IP00	M4	2 mm <sup>2</sup>	0.6
	2.2, 3.7	3G3AX-NFI23		20A	6		Plastic, IP00	M4	2 mm <sup>2</sup> , 3.5 mm <sup>2</sup>	0.7
	5.5	3G3AX-NFI24		30A	9		Plastic, IP00	M4	5.5 mm <sup>2</sup>	0.8
	7.5	3G3AX-NFI25		40A	12		Plastic, IP00	M5	8 mm <sup>2</sup>	1.4
	11	3G3AX-NFI26		60A	17		Plastic, IP00	M5	14 mm <sup>2</sup>	1.8
	15	3G3AX-NFI27		80A	21		Metal, IP00	M6	22 mm <sup>2</sup>	3.6
	18.5	3G3AX-NFI28		100A	23		Metal, IP00	M8	30 mm <sup>2</sup>	4.6
	22, 30	3G3AX-NFI29		150A	45		Metal, IP00	M8	38 mm <sup>2</sup> , 60 mm <sup>2</sup>	9.0
	37	3G3AX-NFI2A		200A	50		Metal, IP00	M10	100 mm <sup>2</sup> or 38 mm <sup>2</sup> , 2 wires parallel	16
	45	3G3AX-NFI2B		250A	68		Metal, IP00	M10	100 mm <sup>2</sup> or 38 mm <sup>2</sup> , 2 wires parallel	16
55	3G3AX-NFI2C	300A	56	Metal, IP00	M10	150 mm <sup>2</sup> or 60 mm <sup>2</sup> , 2 wires parallel	23			
400 V class	0.4 to 2.2	3G3AX-NFI41	480V AC +10%	7A	2	7.5mA MAX (480V AC)	Plastic, IP00	M4	1.25 mm <sup>2</sup> , 2 mm <sup>2</sup>	0.7
	3.7	3G3AX-NFI42		10A	4		Plastic, IP00	M4	2 mm <sup>2</sup>	0.7
	5.5, 7.5	3G3AX-NFI43		20A	6		Plastic, IP00	M4	2 mm <sup>2</sup> , 3.5 mm <sup>2</sup>	0.7
	11	3G3AX-NFI44		30A	9		Plastic, IP00	M4	5.5 mm <sup>2</sup>	0.8
	15	3G3AX-NFI45		40A	12		Plastic, IP00	M5	8 mm <sup>2</sup>	1.4
	18.5	3G3AX-NFI46		50A	15		Plastic, IP00	M5	14 mm <sup>2</sup>	1.6
	22	3G3AX-NFI47		60A	17		Plastic, IP00	M5	14 mm <sup>2</sup>	1.8
	30	3G3AX-NFI48		80A	21		Metal, IP00	M6	22 mm <sup>2</sup>	3.6
	37	3G3AX-NFI49		100A	23		Metal, IP00	M8	38 mm <sup>2</sup>	4.6
	45, 55	3G3AX-NFI4A		150A	45		Metal, IP00	M8	38 mm <sup>2</sup> , 60 mm <sup>2</sup>	9.0

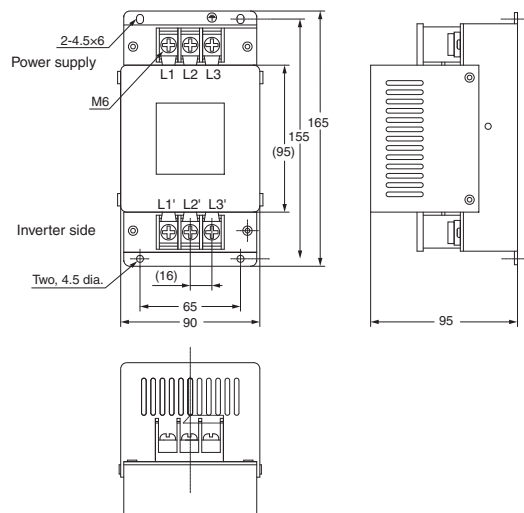
**Note:** Select options by the maximum applicable motor capacity of heavy and light load rating.

## Dimensions (Unit: mm)

3G3AX-NFI21  
3G3AX-NFI22

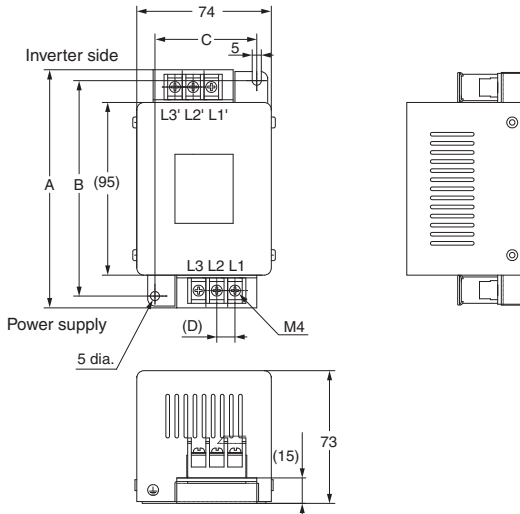


3G3AX-NFI25/3G3AX-NFI26  
3G3AX-NFI45/3G3AX-NFI46  
3G3AX-NFI47



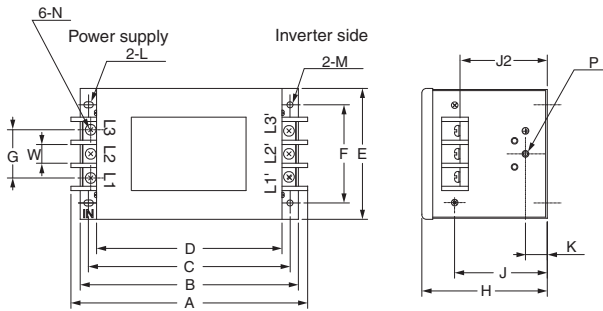
# High-function General-purpose Inverters RX-Series V1 type

3G3AX-NFI23/3G3AX-NFI24  
 3G3AX-NFI41/3G3AX-NFI42  
 3G3AX-NFI43/3G3AX-NFI44



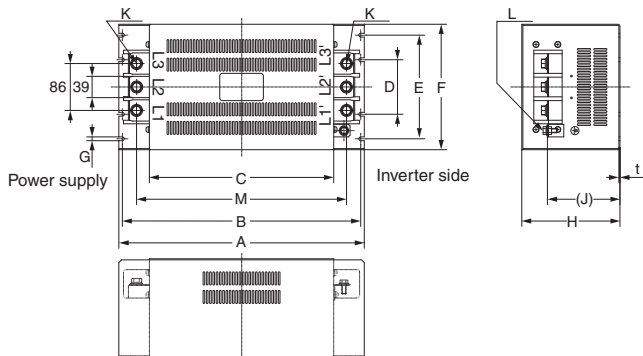
Model	Dimensions (mm)			
	A	B	C	D
3G3AX-NFI23	128	118	56	10
3G3AX-NFI24	144	130	56	11
3G3AX-NFI41	144	130	56	11
3G3AX-NFI42	144	130	56	11
3G3AX-NFI43	144	130	56	11
3G3AX-NFI44	144	130	56	11

3G3AX-NFI27/3G3AX-NFI28  
 3G3AX-NFI29/3G3AX-NFI48  
 3G3AX-NFI49/3G3AX-NFI4A



Model	Dimensions (mm)															
	A	B	C	D	E	F	G	H	J	J2	K	L	M	N	P	W
3G3AX-NFI27	217	200	185	170	120	90	44	115	85	82	20	R2.75 Length 7	5.5 dia.	M6	M4	17
3G3AX-NFI28	254	230	215	200	150	120	57	115	80	75	30	R3.75 Length 8	6.5 dia.	M8	M6	23
3G3AX-NFI29	314	300	280	260	200	170	57	130	90	85	35	R3.75 Length 8	6.5 dia.	M8	M6	23
3G3AX-NFI48	217	200	185	170	120	90	44	115	85	82	20	R2.75 Length 7	5.5 dia.	M6	M4	17
3G3AX-NFI49	254	230	215	200	150	120	57	115	80	75	30	R3.75 Length 8	6.5 dia.	M8	M6	23
3G3AX-NFI4A	314	300	280	260	200	170	57	130	90	85	35	R3.75 Length 8	6.5 dia.	M8	M6	23

3G3AX-NFI2A/3G3AX-NFI2B  
 3G3AX-NFI2C



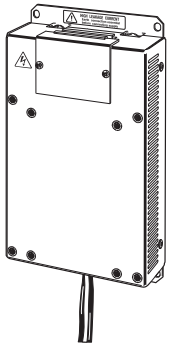
Model	Dimensions (mm)												
	A	B	C	D	E	F	G	H	J	K	L	M	N
3G3AX-NFI2A	450	430	338	100	190	230	7	180	(133)	M10	M8	385	1.0
3G3AX-NFI2B													
3G3AX-NFI2C	500	475	400	-	160	200	12	180	(133)	M10	M8	445	1.2

# High-function General-purpose Inverters RX-Series V1 type

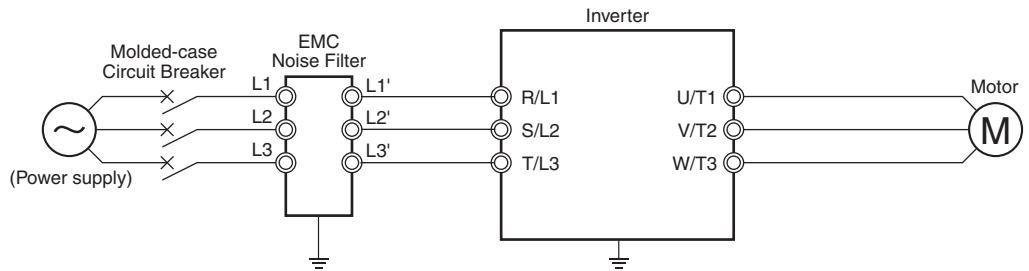
## EMC Noise Filter 3G3AX-EFI□□□

Separately installed option used to comply with the EC's EMC Directives. Select a filter appropriate for the Inverter model.

Although an EMC Noise Filter is built into the RX, it may be necessary to provide another EMC Noise Filter when the cable between the Motor and the Inverter is long.



### Connection Example



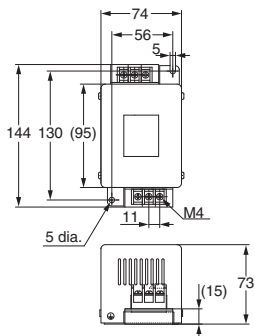
## Specifications

Voltage class	Max. applicable motor capacity (kw)		Model	Input current In (A)	Heat generation (W)	Leakage current (480V AC) at 60 Hz	Class	Case enclosure rating	Terminal size	Wire dia.	Weight (kg)
	200 V class	400 V class									
200 V class/ 400 V class	0.4, 0.75	0.4 to 2.2	3G3AX-EFI41	7	4	150mA MAX	A	Plastic, IP00	M4	1.25 mm <sup>2</sup> , 2 mm <sup>2</sup>	0.7
	1.5	3.7	3G3AX-EFI42	10	4	150mA MAX				2 mm <sup>2</sup>	0.7
	2.2, 3.7	5.5, 7.5	3G3AX-EFI43	20	8	170mA MAX			M5	2 mm <sup>2</sup> , 3.5 mm <sup>2</sup>	1.0
	5.5	11	3G3AX-EFI44	30	9	170mA MAX				5.5 mm <sup>2</sup>	1.3
	7.5	15	3G3AX-EFI45	40	15	170mA MAX		Metal, IP00	M6	8 mm <sup>2</sup>	1.4
	-	18.5	3G3AX-EFI46	50	15	250mA MAX				14 mm <sup>2</sup>	2.9
	11	22	3G3AX-EFI47	60	15	250mA MAX			M8	14 mm <sup>2</sup>	3.0
	15	30	3G3AX-EFI48	80	21	250mA MAX				22 mm <sup>2</sup>	3.6
	18.5	37	3G3AX-EFI49	100	23	250mA MAX			M10	30 mm <sup>2</sup> , 38 mm <sup>2</sup>	5.0
	22, 30	45, 55	3G3AX-EFI4A	150	45	250mA MAX				38 mm <sup>2</sup> , 60 mm <sup>2</sup>	9.0
37	75, 90	3G3AX-EFI4B	200	50	250mA MAX	100 mm <sup>2</sup> or 38 mm <sup>2</sup> , 2 wires parallel	16.0				

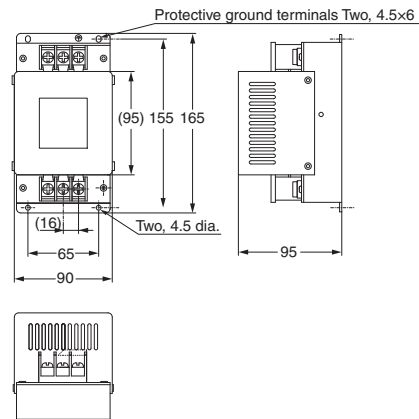
**Note:** Select options by the maximum applicable motor capacity of heavy and light load rating.

## Dimensions (Unit: mm)

3G3AX-EFI41  
3G3AX-EFI42

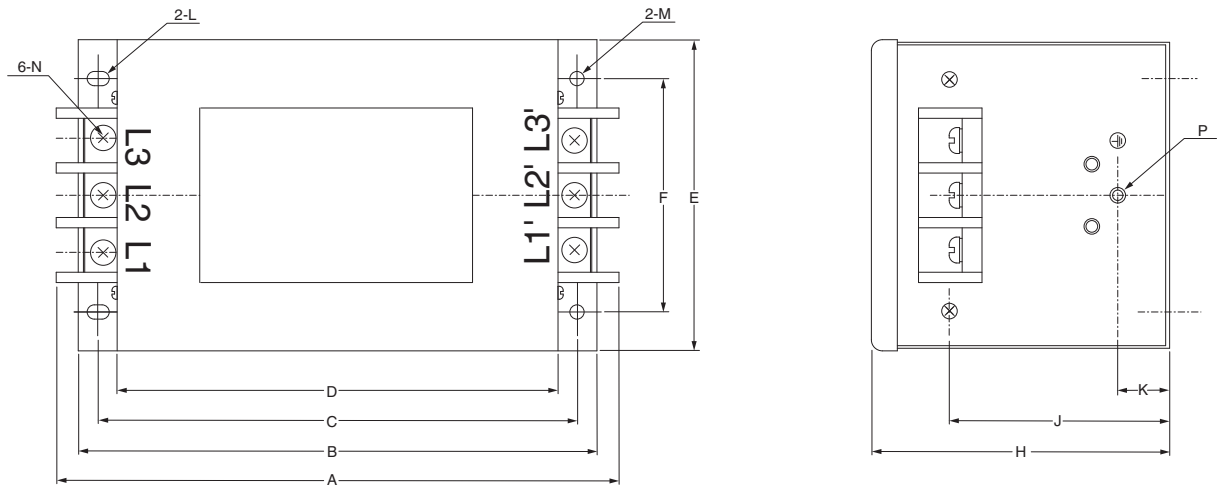


3G3AX-EFI43/3G3AX-EFI44  
3G3AX-EFI45



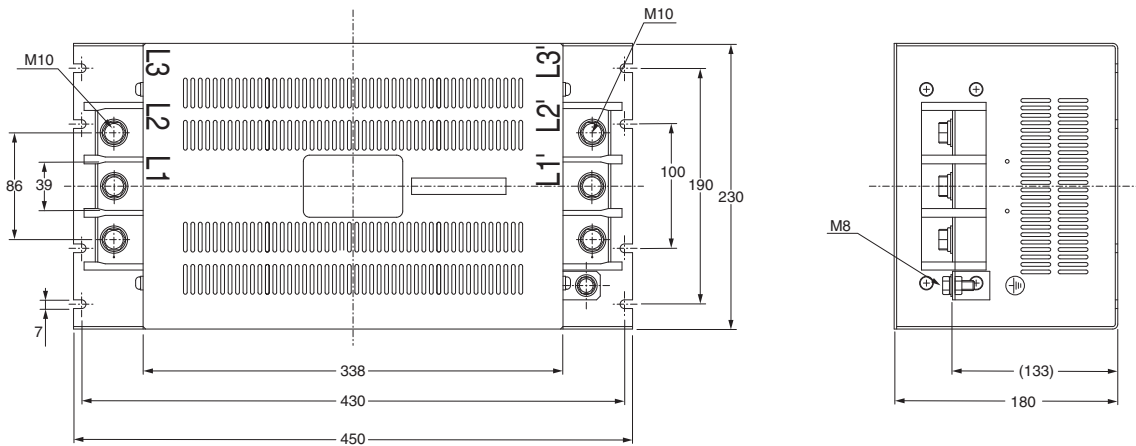
# High-function General-purpose Inverters RX-Series V1 type

3G3AX-EFI46/3G3AX-EFI47/3G3AX-EFI48  
3G3AX-EFI49/3G3AX-EFI4A



Model	Dimensions (mm)												
	A	B	C	D	E	F	H	J	K	L	M	N	P
3G3AX-EFI46	217	220	185	170	120	90	115	85	20	R2.75 Length 7	5.5 dia.	M6	M4
3G3AX-EFI47													
3G3AX-EFI48													
3G3AX-EFI49	254	230	215	200	150	120	115	80	30	R3.25 Length 8	6.5 dia.	M8	M6
3G3AX-EFI4A	314	300	280	260	200	170	130	90	35	R3.25 Length 8	6.5 dia.	M8	M6

3G3AX-EFI4B

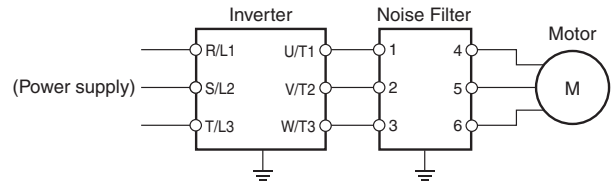
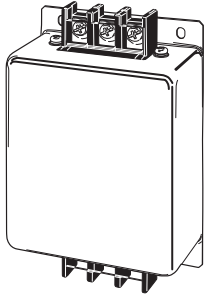


# High-function General-purpose Inverters RX-Series V1 type

## Output Noise Filter 3G3AX-NFO□□

Reduces noise generated by the Inverter. Connect as close to the Inverter as possible.

### Connection Example



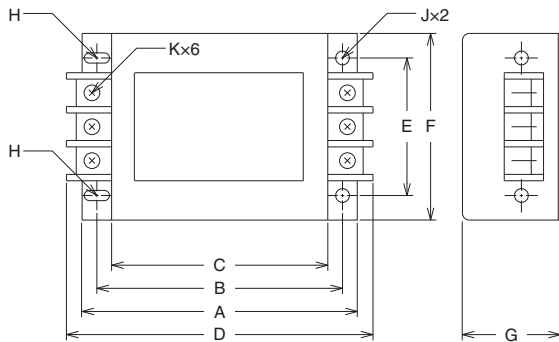
### Specifications

Max. applicable motor capacity (kW)		Model	Rated voltage	Rated input current (A)	Weight (kg)
200 V class	400 V class				
0.4, 0.75	0.4 to 2.2	3G3AX-NFO01	500V AC	6	0.7
1.5, 2.2	3.7	3G3AX-NFO02		12	0.9
3.7, 5.5	5.5 to 11	3G3AX-NFO03		25	2.1
7.5, 11	15 to 22	3G3AX-NFO04		50	3.7
15	30, 37	3G3AX-NFO05		75	5.7
18.5, 22	45	3G3AX-NFO06		100	8.4
30, 37	55, 75	3G3AX-NFO07		150	9

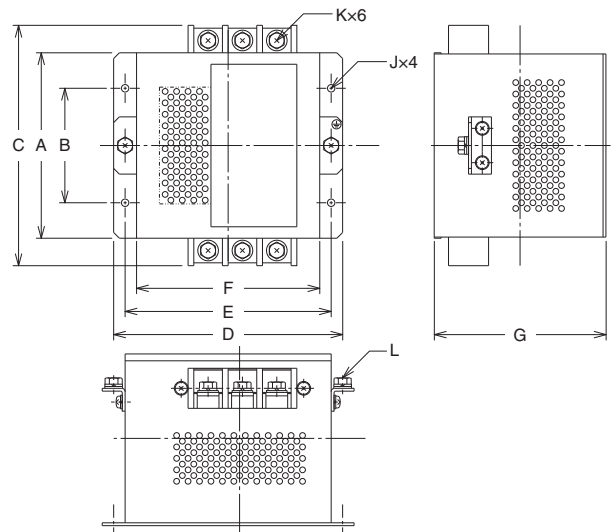
**Note:** Select options by the maximum applicable motor capacity of heavy and light load rating.

### Dimensions (Unit: mm)

3G3AX-NFO01  
3G3AX-NFO02



3G3AX-NFO03/3G3AX-NFO04/3G3AX-NFO05  
3G3AX-NFO06/3G3AX-NFO07



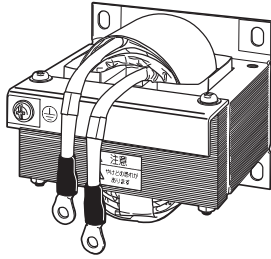
Model	A	B	C	D	E	F	G	H	J	K	L
3G3AX-NFO01	140	125	110	156	70	95	50	R: 2.25mm Length: 6mm	4.5 mm dia.	M4	-
3G3AX-NFO02	160	145	130	176	80	110	70	R: 2.75mm Length: 7mm	5.5 mm dia.	M4	-
3G3AX-NFO03	112	80	154	160	145	130	120	-	6.5 mm dia.	M4	-
3G3AX-NFO04	162	100	210	200	180	160	150	-	6.5 mm dia.	M5	M5
3G3AX-NFO05	182	100	230	220	200	180	170	-	6.5 mm dia.	M6	M6
3G3AX-NFO06	182	100	237	220	200	180	170	-	6.5 mm dia.	M8	M8
3G3AX-NFO07	202	150	257	240	220	200	170	-	6.5 mm dia.	M8	M8

# High-function General-purpose Inverters RX-Series V1 type

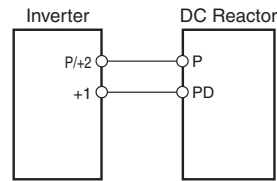
## DC Reactor 3G3AX-DL□□□□

Used to suppress harmonic current generated from the Inverter.

Suppresses harmonic current better than the AC Reactor and can be used with the AC Reactor.



### Connection Example



## Specifications

Voltage class	Model	Figure No.	Max. applicable motor capacity (kW)	Dimensions (mm)									Weight (kg)	Standard applicable wire
				W	D	H	A	B	X	Y	C	K		
200-V class	3G3AX-DL2004	1	0.4	66	90	98	-	95	56	72	5.2 x 8	M4	1.0	1.25 mm <sup>2</sup> min.
	3G3AX-DL2007		0.75	66	90	98	-	105	56	72	5.2 x 8	M4	1.3	1.25 mm <sup>2</sup> min.
	3G3AX-DL2015		1.5	66	90	98	-	115	56	72	5.2 x 8	M4	1.6	2 mm <sup>2</sup> min.
	3G3AX-DL2022		2.2	86	100	116	-	105	71	80	6 x 9	M4	2.1	2 mm <sup>2</sup> min.
	3G3AX-DL2037		3.7	86	100	118	-	120	71	80	6 x 9	M4	2.6	3.5 mm <sup>2</sup> min.
	3G3AX-DL2055	2	5.5	111	100	210	-	110	95	80	7 x 11	M5	3.6	8 mm <sup>2</sup> min.
	3G3AX-DL2075		7.5	111	100	212	-	120	95	80	7 x 11	M6	3.9	14 mm <sup>2</sup> min.
	3G3AX-DL2110		11	146	120	252	-	110	124	96	7 x 11	M6	6.5	22 mm <sup>2</sup> min.
	3G3AX-DL2150		15	146	120	256	-	120	124	96	7 x 11	M8	7.0	38 mm <sup>2</sup> min.
	3G3AX-DL2220	3	18.5, 22	120	175	356	140	145	98	151	7 x 11	M8	9.0	60 mm <sup>2</sup> min.
	3G3AX-DL2300		30	120	175	386	155	150	98	151	7 x 11	M8	13.0	38 mm <sup>2</sup> x 2 min.
	3G3AX-DL2370		37	120	175	390	155	150	98	151	7 x 11	M10	13.5	38 mm <sup>2</sup> x 2 min.
	3G3AX-DL2450		45	160	190	420	180	150	120	168	7 x 11	M10	19.0	60 mm <sup>2</sup> x 2 min.
	3G3AX-DL2550		55	160	190	424	180	180	120	168	7 x 11	M12	24.0	80 mm <sup>2</sup> x 2 min.
	400-V class	3G3AX-DL4004	1	0.4	66	90	98	-	85	56	72	5.2 x 8	M4	0.8
3G3AX-DL4007		0.75		66	90	98	-	95	56	72	5.2 x 8	M4	1.1	1.25 mm <sup>2</sup> min.
3G3AX-DL4015		1.5		66	90	98	-	115	56	72	5.2 x 8	M4	1.6	2 mm <sup>2</sup> min.
3G3AX-DL4022		2.2		86	100	116	-	105	71	80	6 x 9	M4	2.1	2 mm <sup>2</sup> min.
3G3AX-DL4037		3.7		86	100	116	-	120	71	80	6 x 9	M4	2.6	2 mm <sup>2</sup> min.
3G3AX-DL4055		5.5		111	100	138	-	110	95	80	7 x 11	M4	3.6	3.5 mm <sup>2</sup> min.
3G3AX-DL4075		2	7.5	111	100	138	-	115	95	80	7 x 11	M4	3.9	3.5 mm <sup>2</sup> min.
3G3AX-DL4110			11	146	120	250	-	105	124	96	7 x 11	M5	5.2	5.5 mm <sup>2</sup> min.
3G3AX-DL4150			15	146	120	252	-	120	124	96	7 x 11	M6	7.0	14 mm <sup>2</sup> min.
3G3AX-DL4220		3	18.5, 22	120	175	352	140	145	98	151	7 x 11	M6	9.5	22 mm <sup>2</sup> min.
3G3AX-DL4300			30	120	175	356	140	145	98	151	7 x 11	M8	9.5	30 mm <sup>2</sup> min.
3G3AX-DL4370			37	120	175	386	155	150	98	151	7 x 11	M8	13.5	38 mm <sup>2</sup> min.
3G3AX-DL4450			45	160	190	416	180	145	120	168	7 x 11	M8	16.5	60 mm <sup>2</sup> min.
3G3AX-DL4550			55	160	190	416	190	170	120	168	7 x 11	M8	23.0	38 mm <sup>2</sup> x 2 min.

**Note:** Select options by the maximum applicable motor capacity of heavy and light load rating.

# High-function General-purpose Inverters RX-Series V1 type

## Dimensions (Unit: mm)

Fig. 1

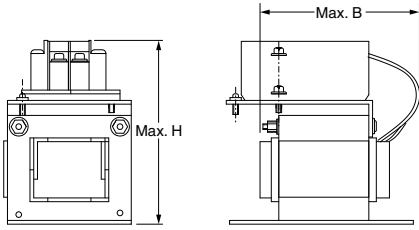
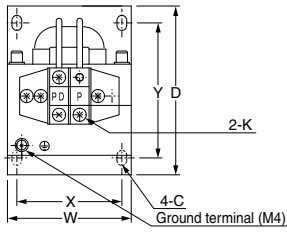


Fig. 2

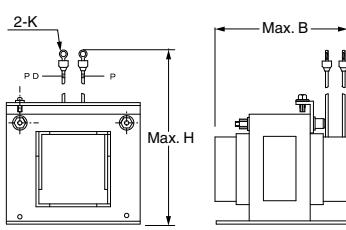
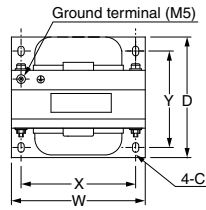
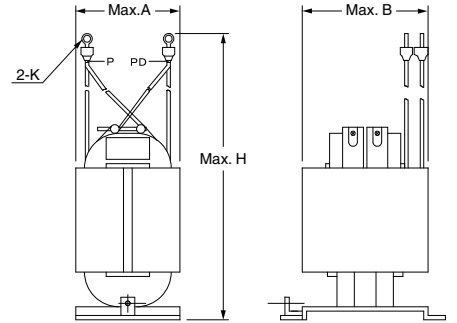
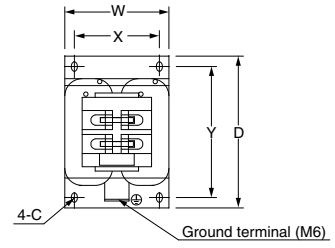


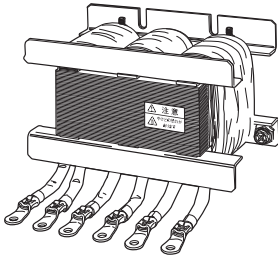
Fig. 3



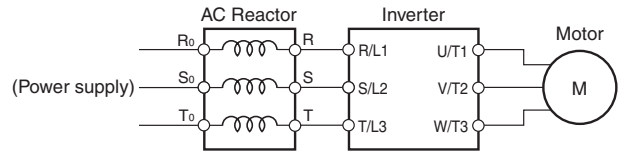
# High-function General-purpose Inverters RX-Series V1 type

## AC Reactor 3G3AX-AL□□□□

Connect the AC Reactor if the capacity of the power supply is much larger than that of the Inverter or the power factor is required to be improved.



### Connection Example



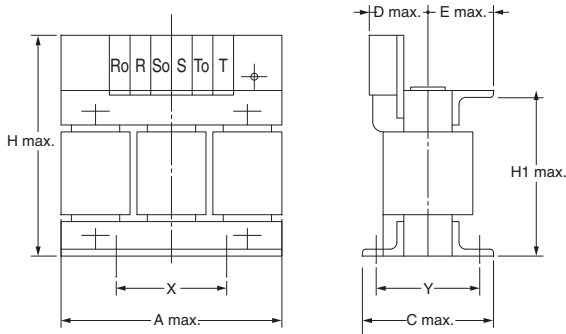
### Specifications

Voltage class	Model	Max. applicable motor capacity (kw)	Dimensions (mm)								Weight (kg)
			A	C	D	E	H	H1	X	Y	
200-V class	3G3AX-AL2025	0.4 to 1.5	120	82	60	40	150	94	50	67	2.8
	3G3AX-AL2055	2.2, 3.7	120	98	60	40	150	94	50	75	4.0
	3G3AX-AL2110	5.5, 7.5	150	103	70	55	170	108	60	80	5.0
	3G3AX-AL2220	11, 15	180	113	75	55	190	140	90	90	10.0
	3G3AX-AL2330	18.5, 22	180	113	85	60	230	140	125	90	11.0
	3G3AX-AL2500	30, 37	260	113	85	60	290	202	100	90	19.0
400-V class	3G3AX-AL2750	45, 55	260	144	110	80	290	207	125	112	25.0
	3G3AX-AL4025	0.4 to 1.5	130	82	60	40	150	94	50	67	2.7
	3G3AX-AL4055	2.2, 3.7	130	98	60	40	150	94	50	75	4.0
	3G3AX-AL4110	5.5, 7.5	150	116	75	55	170	106	60	98	6.0
	3G3AX-AL4220	11, 15	180	103	75	55	190	140	100	80	10.0
	3G3AX-AL4330	18.5, 22	180	123	85	60	230	140	100	100	11.5
	3G3AX-AL4500	30, 37	260	113	85	60	290	202	100	90	19.0
	3G3AX-AL4750	45, 55	260	146	110	80	290	207	125	112	25.0

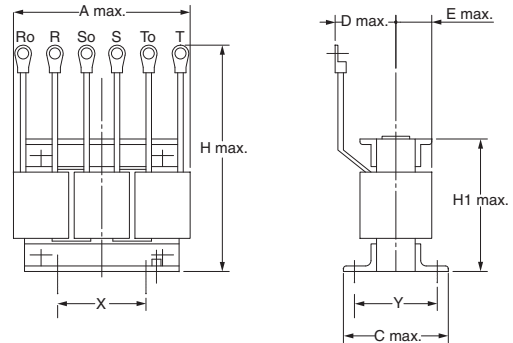
Note: Select options by the maximum applicable motor capacity of heavy and light load rating.

### Dimensions (Unit: mm)

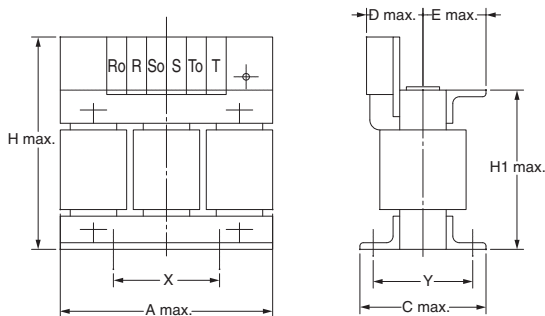
3G3AX-AL2025  
3G3AX-AL2055



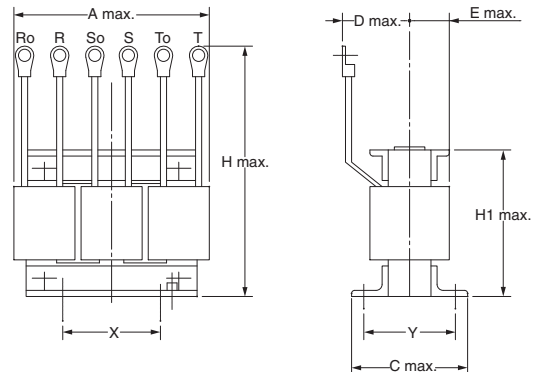
3G3AX-AL2110/3G3AX-AL2220  
3G3AX-AL2330/3G3AX-AL2500/3G3AX-AL2750



3G3AX-AL4025/3G3AX-AL4055  
3G3AX-AL4110



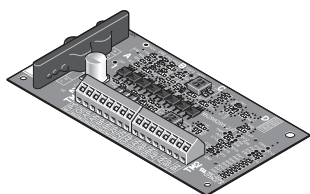
3G3AX-AL4220/3G3AX-AL4330  
3G3AX-AL4500/3G3AX-AL4750



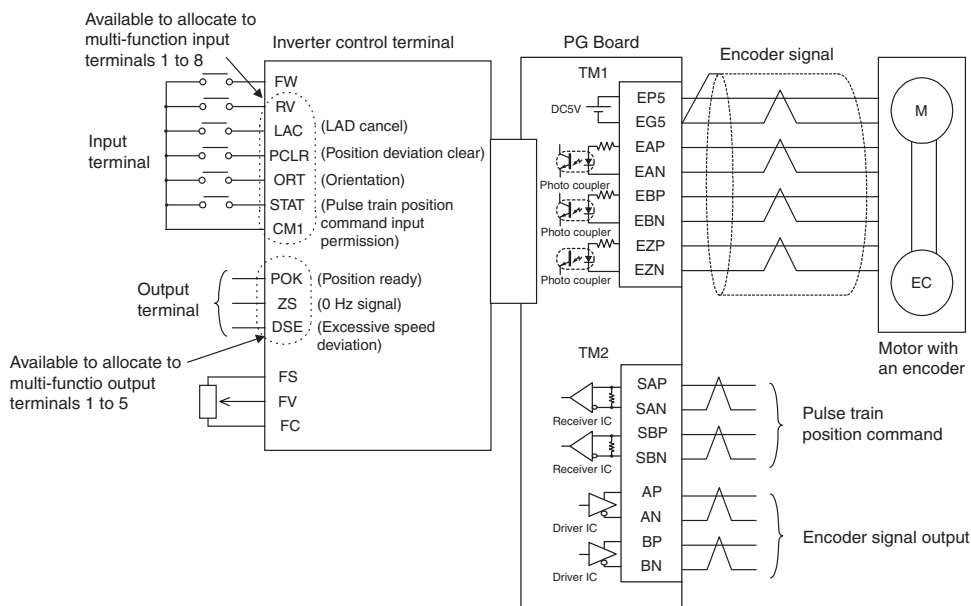
# High-function General-purpose Inverters RX-Series V1 type

## PG Board 3G3AX-PG01

The PG Board (3G3AX-PG01) is an optional board for the 3G3RX Series Inverter. With this board, you can realize highly accurate system operation with minimum speed fluctuation, and position control via pulse train position command input by detecting the rotation speed of the motor with an encoder and using the data for feedback.



### Connection Example



**Note:** For the terminal connection on the Inverter, refer to the Inverter RX series V1 type User's Manual (Man.No. I578).

## Specifications

Item		Specifications
Speed control	Encoder feedback	Standard number of encoder pulses: 1024 pulses/r Maximum input number of pulses: 100k pulses/s
	Speed control system	Proportional integral (PI)/ Proportional (P) control
Position control	Position command	<ul style="list-style-type: none"> <li>The pulse train can be input in three modes.                             <ul style="list-style-type: none"> <li>Mode 0: Pulse train with 90° phase difference</li> <li>Mode 1: Forward/Reverse command + Pulse train</li> <li>Mode 2: Forward pulse train + Reverse pulse train</li> </ul>                             The input mode depends on the Inverter setting.                         </li> <li>Maximum input number of pulses: 100k pulses/s</li> </ul>
	Electronic gear	<ul style="list-style-type: none"> <li>Pulse ratio A/B (A, B: 1 to 9999 can be set)</li> <li>Available setting range: <math>1/50 \leq A/B \leq 20</math></li> </ul>
Orientation	Stop position	• 4096 divisions per one motor rotation *
	Speed	• Orientation speed and rotation direction settings available
Protective functions		<ul style="list-style-type: none"> <li>Encoder cable disconnection protection</li> <li>Overspeed protection (Overspeed error detection level (P026))</li> <li>Positioning error</li> <li>3G3AX-PG connection error</li> </ul>

\* The inverter setting or external input is available.

# High-function General-purpose Inverters RX-Series V1 type

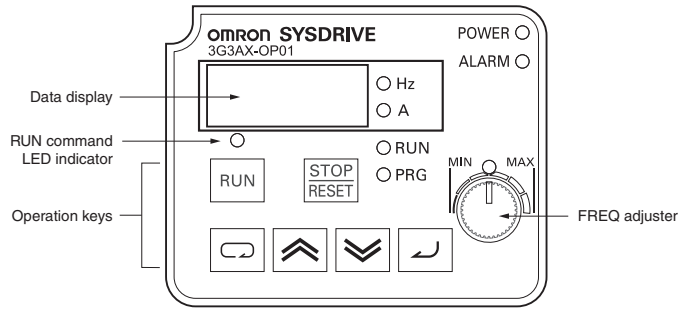
## Digital Operator

Used to set parameters, perform various monitoring, and start and stop the Inverter.

### 3G3AX-OP01



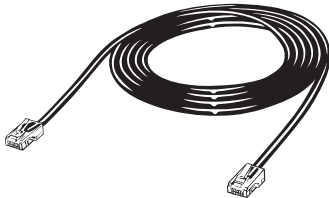
### Dimensions



<b>Dimensions</b>	Height (55 mm) × Width (70 mm) × Depth (10 mm)
-------------------	--

## Digital operator extension cable 3G3AX-OPCN□

Used to install the Digital Operator away from the Inverter.



3G3AX-OPCN1 (Cable length: 1 m)  
3G3AX-OPCN3 (Cable length: 3 m)

---

# Ordering Information

---

■System Configuration.....	28
■Interpreting Model Numbers .....	29
■Ordering Information	
RX series V1 type Inverter Models .....	29
Communication Unit .....	30
Related Options .....	30
Recommended EtherCAT Communications Cables.....	37
Software.....	38
Communications Cable.....	38
■Overview of Inverter Selection .....	39
■Related Manuals .....	43

Sysmac is a trademark or registered trademark of OMRON Corporation in Japan and other countries for OMRON factory automation products.

Windows is either registered trademarks or trademarks of Microsoft Corporation in the United States and/or other countries.

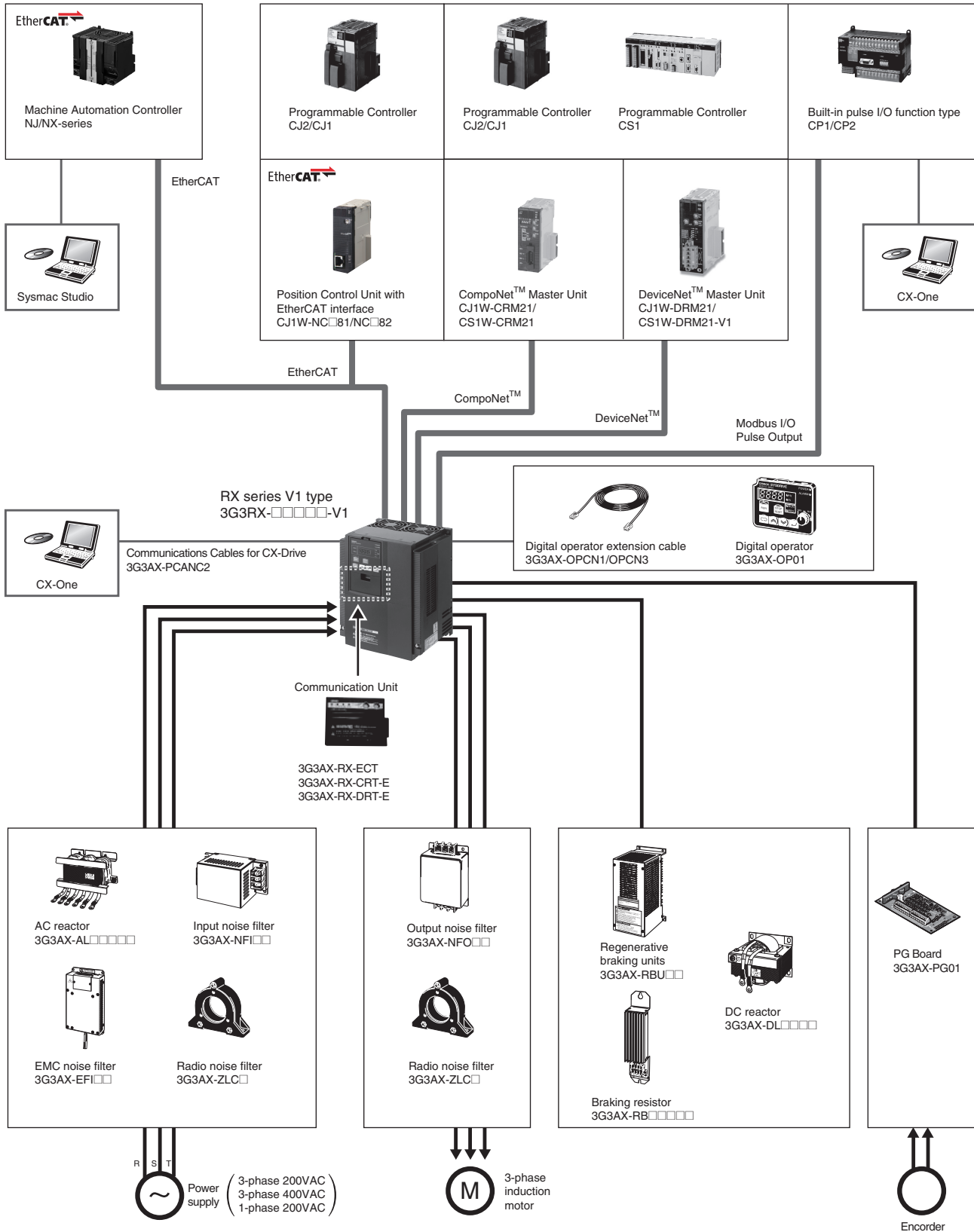
EtherCAT® is registered trademark and patented technology, licensed by Beckhoff Automation GmbH, Germany.

CompoNet™, DeviceNet™ and CIP Safety™ on EtherNet/IP are the trademarks of ODVA.

Other company names and product names in this document are the trademarks or registered trademarks of their respective companies.

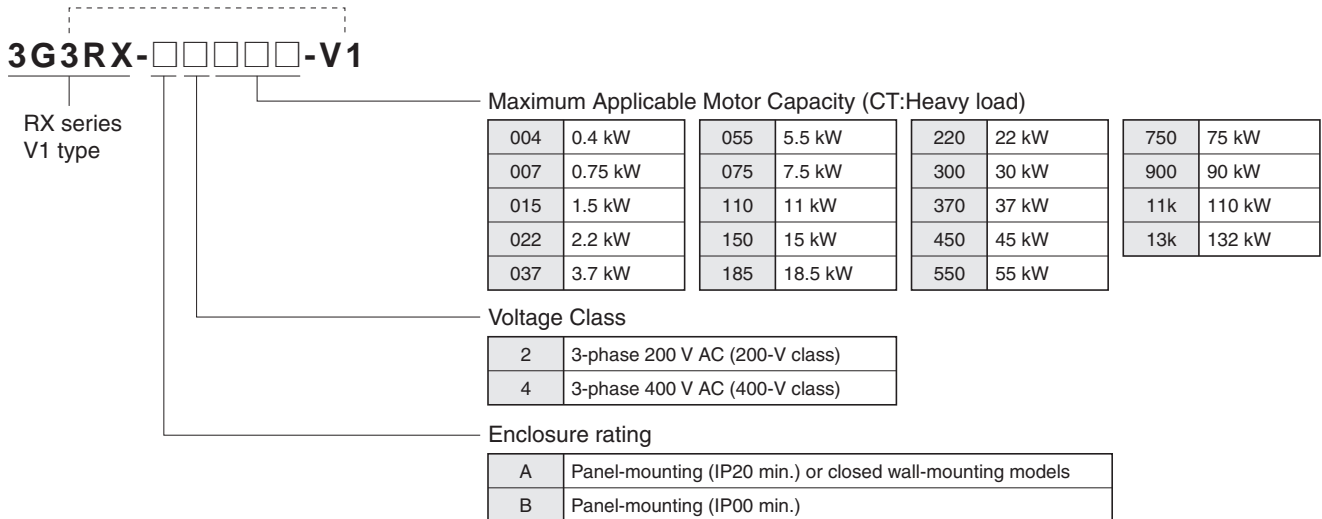
# High-function General-purpose Inverters RX-Series V1 type

## System Configuration



# High-function General-purpose Inverters RX-Series V1 type

## Interpreting Model Numbers



## Ordering Information

### RX series V1 type Inverter Models

Rated voltage	Enclosure ratings	Max. applicable motor capacity		Model
		CT: Heavy load	VT: Light load	
3-phase 200 VAC	IP20	0.4 kW	0.75 kW	3G3RX-A2004-V1
		0.75 kW	1.5 kW	3G3RX-A2007-V1
		1.5 kW	2.2 kW	3G3RX-A2015-V1
		2.2 kW	3.7 kW	3G3RX-A2022-V1
		3.7 kW	5.5 kW	3G3RX-A2037-V1
		5.5 kW	7.5 kW	3G3RX-A2055-V1
		7.5 kW	11 kW	3G3RX-A2075-V1
		11 kW	15 kW	3G3RX-A2110-V1
		15 kW	18.5 kW	3G3RX-A2150-V1
		18.5 kW	22 kW	3G3RX-A2185-V1
		22 kW	30 kW	3G3RX-A2220-V1
		30 kW	37 kW	3G3RX-A2300-V1
		37 kW	45 kW	3G3RX-A2370-V1
		45 kW	55 kW	3G3RX-A2450-V1
		55 kW	75 kW	3G3RX-A2550-V1
		3-phase 400 VAC	IP20	0.4 kW
0.75 kW	1.5 kW			3G3RX-A4007-V1
1.5 kW	2.2 kW			3G3RX-A4015-V1
2.2 kW	3.7 kW			3G3RX-A4022-V1
3.7 kW	5.5 kW			3G3RX-A4037-V1
5.5 kW	7.5 kW			3G3RX-A4055-V1
7.5 kW	11 kW			3G3RX-A4075-V1
11 kW	15 kW			3G3RX-A4110-V1
15 kW	18.5 kW			3G3RX-A4150-V1
18.5 kW	22 kW			3G3RX-A4185-V1
22 kW	30 kW			3G3RX-A4220-V1
30 kW	37 kW			3G3RX-A4300-V1
37 kW	45 kW			3G3RX-A4370-V1
45 kW	55 kW			3G3RX-A4450-V1
55 kW	75 kW		3G3RX-A4550-V1	
IP00	75 kW		90 kW	3G3RX-B4750-V1
	90 kW		110 kW	3G3RX-B4900-V1
	110 kW		132 kW	3G3RX-B411K-V1
	132 kW		160 kW	3G3RX-B413K-V1

# High-function General-purpose Inverters RX-Series V1 type

## Communication Unit

Name	Model
EtherCAT Communication Unit	3G3AX-RX-ECT
CompoNet™ Communication Unit	3G3AX-RX-CRT-E
DeviceNet™ Communication Unit	3G3AX-RX-DRT-E

## Related Options

Name	Specifications		Model
<b>Regenerative Braking Units</b>	3-phase 200 VAC	General purpose with Braking resistor	3G3AX-RBU21
		High Regeneration purpose with Braking resistor	3G3AX-RBU22
		General purpose for 30 kW *	3G3AX-RBU23
		General purpose for 55 kW *	3G3AX-RBU24
	3-phase 400 VAC	General purpose with Braking resistor	3G3AX-RBU41
		General purpose for 30 kW *	3G3AX-RBU42
General purpose for 55 kW *		3G3AX-RBU43	
<b>Braking Resistor</b>	Compact type	Resistor 120 W, 180 Ω	3G3AX-RBA1201
		Resistor 120 W, 100 Ω	3G3AX-RBA1202
		Resistor 120 W, 50 Ω	3G3AX-RBA1203
		Resistor 120 W, 35 Ω	3G3AX-RBA1204
	Standard type	Resistor 200 W, 180 Ω	3G3AX-RBB2001
		Resistor 200 W, 100 Ω	3G3AX-RBB2002
		Resistor 300 W, 50 Ω	3G3AX-RBB3001
		Resistor 400 W, 35 Ω	3G3AX-RBB4001
	Medium capacity type	Resistor 400 W, 50 Ω	3G3AX-RBC4001
		Resistor 600 W, 35 Ω	3G3AX-RBC6001
		Resistor 1200 W, 17 Ω	3G3AX-RBC12001

\* The braking resistor is optionally required.

# High-function General-purpose Inverters RX-Series V1 type

## Regenerative Braking Unit and Braking Resistor Combination

Select the combination of the regenerative braking unit(s) and the braking resistor(s) as follows, according to your inverter. If the usage rate exceeds 10% ED, or if you need a torque larger than the approximate braking torque, you need to follow the instruction provided in Braking Resistor Selection.

- Inverter: Select the model of your inverter. However, the table below assumes that your inverter is used in the heavy load mode and connected to a single motor with the same capacity. Therefore, in the light load mode, a motor with the same capacity means a motor that is one size larger in capacity than the inverter and the converted braking torque decreases accordingly.
- Operating conditions: Show the torque during deceleration and the deceleration time (in % ED) calculated as a percentage of the cycle time for 1 cycle of operation including the stop time.
- Braking unit/Braking resistor: Show the required the model and number of units.
- Connection form: Show the configuration of the regenerative braking unit(s) and braking resistor(s) illustrated in the connection form table below.
- Restrictions: Show the maximum deceleration time allowable for the combination shown here and the minimum resistance that can be connected to the inverter's built-in regenerative braking circuit or external regenerative braking unit(s).

Voltage class	Inverter		Operating conditions		Braking unit		Braking resistor		Connection form	Restrictions	
	Max. applicable motor capacity (kW)	Model	%ED (%)	Approximate braking torque (%)	Model	Number of units	Model	Number of units		Allowable continuous braking time(s)	Min. connectable resistance (Ω)
200-V Class	0.4	3G3RX-A2004-V1	3.0%	220%	Built-in Inverter	---	3G3AX-RBA1201	1	1	20	50
			10.0%	220%		---	3G3AX-RBB2001	1	1	30	50
	0.75	3G3RX-A2007-V1	3.0%	120%	Built-in Inverter	---	3G3AX-RBA1201	1	1	20	50
			10.0%	120%		---	3G3AX-RBB2001	1	1	30	50
	1.5	3G3RX-A2015-V1	2.5%	110%	Built-in Inverter	---	3G3AX-RBA1202	1	1	12	35
			10.0%	215%		---	3G3AX-RBC4001	1	1	10	35
	2.2	3G3RX-A2022-V1	3.0%	150%	Built-in Inverter	---	3G3AX-RBB3001	1	1	30	35
			10.0%	150%		---	3G3AX-RBC4001	1	1	10	35
	3.7	3G3RX-A2037-V1	3.0%	125%	Built-in Inverter	---	3G3AX-RBB4001	1	1	20	35
			10.0%	125%		---	3G3AX-RBC6001	1	1	10	35
	5.5	3G3RX-A2055-V1	3.0%	120%	Built-in Inverter	---	3G3AX-RBB3001	2	2	30	16
			10.0%	120%		---	3G3AX-RBC4001	2	2	10	16
	7.5	3G3RX-A2075-V1	3.0%	125%	Built-in Inverter	---	3G3AX-RBB4001	2	2	20	10
			10.0%	125%		---	3G3AX-RBC6001	2	2	10	10
	11	3G3RX-A2110-V1	3.0%	125%	Built-in Inverter	---	3G3AX-RBB4001	3	4	20	10
			10.0%	125%		---	3G3AX-RBC6001	3	4	10	10
	15	3G3RX-A2150-V1	3.0%	130%	Built-in Inverter	---	3G3AX-RBC12001	2	2	10	7.5
			10.0%	130%		---	3G3AX-RBC12001	2	2	10	7.5
	18.5	3G3RX-A2185-V1	3.0%	105%	Built-in Inverter	---	3G3AX-RBC12001	2	2	10	7.5
			10.0%	105%		---	3G3AX-RBC12001	2	2	10	7.5
	22	3G3RX-A2220-V1	3.0%	130%	Built-in Inverter	---	3G3AX-RBC12001	3	4	10	5
			10.0%	130%		---	3G3AX-RBC12001	3	4	10	5
	30	3G3RX-A2300-V1	3.0%	160%	3G3AX-RBU24	1	3G3AX-RBC12001	5	11	10	2
			10.0%	160%	3G3AX-RBU24	1	3G3AX-RBC12001	5	11	10	2
	37	3G3RX-A2370-V1	3.0%	130%	3G3AX-RBU24	1	3G3AX-RBC12001	5	11	10	2
			10.0%	130%	3G3AX-RBU24	1	3G3AX-RBC12001	5	11	10	2
	45	3G3RX-A2450-V1	3.0%	130%	3G3AX-RBU24	1	3G3AX-RBC12001	6	12	10	2
			10.0%	130%	3G3AX-RBU24	1	3G3AX-RBC12001	6	12	10	2
55	3G3RX-A2550-V1	3.0%	120%	3G3AX-RBU24	1	3G3AX-RBC12001	7	13	10	2	
		10.0%	120%	3G3AX-RBU24	1	3G3AX-RBC12001	7	13	10	2	

# High-function General-purpose Inverters RX-Series V1 type

Inverter		Operating conditions		Braking unit		Braking resistor		Con- nec- tion form	Restrictions		
Voltage class	Max. applicable motor capacity (kW)	Model	%ED (%)	Approximate braking torque (%)	Model	Number of units	Model		Number of units	Allowable continuous braking time(s)	Min. connectable resistance (Ω)
400-V Class	0.4	3G3RX-A4004-V1	3.0%	220%	Built-in Inverter	---	3G3AX-RBA1201	2	3	20	100
			10.0%	220%		---	3G3AX-RBB2001	2	3	30	100
	0.75	3G3RX-A4007-V1	3.0%	220%	Built-in Inverter	---	3G3AX-RBA1201	2	3	20	100
			10.0%	220%		---	3G3AX-RBB2001	2	3	30	100
	1.5	3G3RX-A4015-V1	3.0%	120%	Built-in Inverter	---	3G3AX-RBA1201	2	3	20	100
			10.0%	120%		---	3G3AX-RBB2001	2	3	30	100
	2.2	3G3RX-A4022-V1	2.5%	150%	Built-in Inverter	---	3G3AX-RBA1202	2	3	12	100
			10.0%	220%		---	3G3AX-RBC4001	2	3	10	100
	3.7	3G3RX-A4037-V1	3.0%	175%	Built-in Inverter	---	3G3AX-RBB3001	2	3	30	70
			10.0%	175%		---	3G3AX-RBC4001	2	3	10	70
	5.5	3G3RX-A4055-V1	3.0%	120%	Built-in Inverter	---	3G3AX-RBB3001	2	3	30	70
			10.0%	120%		---	3G3AX-RBC4001	2	3	10	70
	7.5	3G3RX-A4075-V1	3.0%	125%	Built-in Inverter	---	3G3AX-RBB4001	2	3	20	35
			10.0%	125%		---	3G3AX-RBC6001	2	3	10	35
	11	3G3RX-A4110-V1	3.0%	120%	Built-in Inverter	---	3G3AX-RBB3001	4	5	30	35
			10.0%	120%		---	3G3AX-RBC4001	4	5	10	35
	15	3G3RX-A4150-V1	3.0%	125%	Built-in Inverter	---	3G3AX-RBB4001	4	5	20	24
			10.0%	125%		---	3G3AX-RBC6001	4	5	10	24
	18.5	3G3RX-A4185-V1	3.0%	140%	Built-in Inverter	---	3G3AX-RBB3001	8	6	30	24
			10.0%	140%		---	3G3AX-RBC4001	8	6	10	24
	22	3G3RX-A4220-V1	3.0%	120%	Built-in Inverter	---	3G3AX-RBB3001	8	6	30	20
			10.0%	120%		---	3G3AX-RBC4001	8	6	10	20
	30	3G3RX-A4300-V1	3.0%	130%	3G3AX-RBU42	1	3G3AX-RBC12001	4	8	10	10
			10.0%	130%	3G3AX-RBU42	1	3G3AX-RBC12001	4	8	10	10
	37	3G3RX-A4370-V1	3.0%	155%	3G3AX-RBU43	1	3G3AX-RBC12001	6	9	10	6
			10.0%	155%	3G3AX-RBU43	1	3G3AX-RBC12001	6	9	10	6
	45	3G3RX-A4450-V1	3.0%	130%	3G3AX-RBU43	1	3G3AX-RBC12001	6	9	10	6
			10.0%	130%	3G3AX-RBU43	1	3G3AX-RBC12001	6	9	10	6
55	3G3RX-A4550-V1	3.0%	140%	3G3AX-RBU43	1	3G3AX-RBC12001	8	10	10	6	
		10.0%	140%	3G3AX-RBU43	1	3G3AX-RBC12001	8	10	10	6	
75	3G3RX-A4750-V1	3.0%	130%	3G3AX-RBU43	1	3G3AX-RBC12001	10	14	10	6	
		10.0%	130%	3G3AX-RBU43	1	3G3AX-RBC12001	10	14	10	6	
90	3G3RX-A4900-V1	3.0%	105%	3G3AX-RBU43	1	3G3AX-RBC12001	10	14	10	6	
		10.0%	105%	3G3AX-RBU43	1	3G3AX-RBC12001	10	14	10	6	
110	3G3RX-A411K-V1	3.0%	105%	3G3AX-RBU43	2	3G3AX-RBC12001	12	15	10	6	
		10.0%	105%	3G3AX-RBU43	2	3G3AX-RBC12001	12	15	10	6	
132	3G3RX-A413K-V1	3.0%	115%	3G3AX-RBU43	2	3G3AX-RBC12001	16	16	10	6	
		10.0%	115%	3G3AX-RBU43	2	3G3AX-RBC12001	16	16	10	6	

# High-function General-purpose Inverters RX-Series V1 type

## Connection configuration

TYPE		
1	1 resistor unit	
2	2 resistor units connected in parallel	
3	2 resistor units connected in series	
4	3 resistor units connected in parallel	
5	2 groups of 2 parallel resistor units are connected in series	
6	2 groups of 4 parallel resistor units are connected in series	

TYPE		
7	1 braking unit and 3 resistor units connected in parallel	
8	1 braking unit and 2 groups of 2 parallel resistor units are connected in series	
9	1 braking unit and 2 groups of 3 parallel resistor units are connected in series	
10	1 braking unit and 2 groups of 4 parallel resistor units are connected in series	

11	1 braking unit and 5 resistor units connected in parallel	
12	1 braking unit and 6 resistor units connected in parallel	
13	1 braking unit and 7 resistor units connected in parallel	

# High-function General-purpose Inverters RX-Series V1 type

14	1 braking unit and 2 groups of 5 parallel resistor units are connected in series	
15	2 braking units and 2 groups of 3 parallel resistor units are each connected in series	
16	2 braking units and 2 groups of 4 parallel resistor units are each connected in series	

Name	Model
Radio Noise Filter	3G3AX-ZCL2
	3G3AX-ZCL1

# High-function General-purpose Inverters RX-Series V1 type

Name	Specifications of Inverter			Model
	Voltage class	CT: Heavy load (kW)	VT: Light load (kW)	
Input Noise Filter	3-phase 200 VAC	0.4 to 0.75	0.75	3G3AX-NFI21
		1.5	1.5	3G3AX-NFI22
		2.2, 3.7	2.2, 3.7	3G3AX-NFI23
		5.5	5.5	3G3AX-NFI24
		7.5	7.5	3G3AX-NFI25
		11	11	3G3AX-NFI26
		15	15	3G3AX-NFI27
		18.5	18.5	3G3AX-NFI28
		22, 30	22, 30	3G3AX-NFI29
		37	37	3G3AX-NFI2A
	45	45	3G3AX-NFI2B	
	55	55	3G3AX-NFI2C	
	3-phase 400 VAC	0.4 to 2.2	0.75 to 2.2	3G3AX-NFI41
		3.7	3.7	3G3AX-NFI42
		5.5, 7.5	5.5, 7.5	3G3AX-NFI43
		11	11	3G3AX-NFI44
		15	15	3G3AX-NFI45
		18.5	18.5	3G3AX-NFI46
		22	22	3G3AX-NFI47
		30	30	3G3AX-NFI48
37		37	3G3AX-NFI49	
45, 55		45, 55	3G3AX-NFI4A	
EMC Noise Filter *	3-phase 200 VAC	0.4 to 7.5	0.75	3G3AX-EFI41
		1.5	1.5	3G3AX-EFI42
		2.2, 3.7	2.2, 3.7	3G3AX-EFI43
		5.5	5.5	3G3AX-EFI44
		7.5	7.5	3G3AX-EFI45
		11	11	3G3AX-EFI47
		15	15	3G3AX-EFI48
		18.5	18.5	3G3AX-EFI49
		22, 30	22, 30	3G3AX-EFI4A
		37	37	3G3AX-EFI4B
	3-phase 400 VAC	0.4 to 22	0.75 to 2.2	3G3AX-EFI41
		3.7	3.7	3G3AX-EFI42
		5.5, 7.5	5.5, 7.5	3G3AX-EFI43
		11	11	3G3AX-EFI44
		15	15	3G3AX-EFI45
		18.5	18.5	3G3AX-EFI46
		22	22	3G3AX-EFI47
		30	30	3G3AX-EFI48
		37	37	3G3AX-EFI49
		45, 55	45, 55	3G3AX-EFI4A
75, 90	75, 90	3G3AX-EFI4B		

\* Although an EMC Noise Filter is built into the RX, it may be necessary to provide another EMC Noise Filter when the cable between the Motor and the Inverter is long.

# High-function General-purpose Inverters RX-Series V1 type

Name	Specifications of Inverter			Model
	Voltage class	CT: Heavy load (kW)	VT: Light load (kW)	
Output Noise Filter	3-phase 200 VAC/ 3-phase 400 VAC	Applicable motor 200 V class: 0.4 to 0.75 400 V class: 0.4 to 2.2	Applicable motor 200 V class: 0.75 400 V class: 0.75 to 2.2	3G3AX-NFO01
		Applicable motor 200 V class: 1.5, 2.2 400 V class: 3.7	Applicable motor 200 V class: 1.5, 2.2 400 V class: 3.7	3G3AX-NFO02
		Applicable motor 200 V class: 3.7, 5.5 400 V class: 5.5 to 11	Applicable motor 200 V class: 3.7, 5.5 400 V class: 5.5 to 11	3G3AX-NFO03
		Applicable motor 200 V class: 7.5, 11 400 V class: 15 to 22	Applicable motor 200 V class: 7.5, 11 400 V class: 15 to 22	3G3AX-NFO04
		Applicable motor 200 V class: 15 400 V class: 30, 37	Applicable motor 200 V class: 15 400 V class: 30, 37	3G3AX-NFO05
		Applicable motor 200 V class: 18.5, 22 400 V class: 45	Applicable motor 200 V class: 18.5, 22 400 V class: 45	3G3AX-NFO06
		Applicable motor 200 V class: 30, 37 400 V class: 55, 75	Applicable motor 200 V class: 30, 37 400 V class: 55, 75	3G3AX-NFO07
DC Reactor	3-phase 200 VAC	0.4	---	3G3AX-DL2004
		0.75	0.75	3G3AX-DL2007
		1.5	1.5	3G3AX-DL2015
		2.2	2.2	3G3AX-DL2022
		3.7	3.7	3G3AX-DL2037
		5.5	5.5	3G3AX-DL2055
		7.5	7.5	3G3AX-DL2075
		11	11	3G3AX-DL2110
		15	15	3G3AX-DL2150
		18.5, 22	18.5, 22	3G3AX-DL2220
		30	30	3G3AX-DL2300
		37	37	3G3AX-DL2370
	45	45	3G3AX-DL2450	
	55	55	3G3AX-DL2550	
	3-phase 400 VAC	0.4	---	3G3AX-DL4004
		0.75	0.75	3G3AX-DL4007
		1.5	1.5	3G3AX-DL4015
		2.2	2.2	3G3AX-DL4022
		3.7	3.7	3G3AX-DL4037
		5.5	5.5	3G3AX-DL4055
		7.5	7.5	3G3AX-DL4075
		11	11	3G3AX-DL4110
		15	15	3G3AX-DL4150
		18.5, 22	18.5, 22	3G3AX-DL4220
		30	30	3G3AX-DL4300
37		37	3G3AX-DL4370	
45		45	3G3AX-DL4450	
55	55	3G3AX-DL4550		
AC Reactor	3-phase 200 VAC	0.4 to 1.5	0.75 to 1.5	3G3AX-AL2025
		2.2, 3.7	2.2, 3.7	3G3AX-AL2055
		5.5, 7.5	5.5, 7.5	3G3AX-AL2110
		11, 15	11, 15	3G3AX-AL2220
		18.5, 22	18.5, 22	3G3AX-AL2330
		30, 37	30, 37	3G3AX-AL2500
		45, 55	45, 55	3G3AX-AL2750
	3-phase 400 VAC	0.4 to 1.5	0.75 to 1.5	3G3AX-AL4025
		2.2, 3.7	2.2, 3.7	3G3AX-AL4055
		5.5, 7.5	5.5, 7.5	3G3AX-AL4110
		11, 15	11, 15	3G3AX-AL4220
		18.5, 22	18.5, 22	3G3AX-AL4330
		30, 37	30, 37	3G3AX-AL4500
		45, 55	45, 55	3G3AX-AL4750




# High-function General-purpose Inverters RX-Series V1 type

Name	Specifications	Model
PG Board	For Position or Frequency Control	3G3AX-PG01
Digital Operator	---	3G3AX-OP01
Digital Operator Connecting Cable	Cable Length 1 m	3G3AX-OPCN1
	Cable Length 3 m	3G3AX-OPCN3

## Recommended EtherCAT Communications Cables

Use Straight STP (shielded twisted-pair) cable of category 5 or higher with double shielding (braiding and aluminum foil tape) for EtherCAT.

### Cable with Connectors

Item	Appearance	Recommended manufacturer	Cable length (m)	Model
Cable with Connectors on Both Ends (RJ45/RJ45) Standard RJ45 plugs type *1 Wire Gauge and Number of Pairs: AWG26, 4-pair cable Cable Sheath material: LSZH *2 Cable color: Yellow *3		OMRON	0.3	XS6W-6LSZH8SS30CM-Y
			0.5	XS6W-6LSZH8SS50CM-Y
			1	XS6W-6LSZH8SS100CM-Y
			2	XS6W-6LSZH8SS200CM-Y
			3	XS6W-6LSZH8SS300CM-Y
			5	XS6W-6LSZH8SS500CM-Y
Cable with Connectors on Both Ends (RJ45/RJ45) Rugged RJ45 plugs type *1 Wire Gauge and Number of Pairs: AWG22, 2-pair cable Cable color: Light blue		OMRON	0.3	XS5W-T421-AMD-K
			0.5	XS5W-T421-BMD-K
			1	XS5W-T421-CMD-K
			2	XS5W-T421-DMD-K
			5	XS5W-T421-GMD-K
			10	XS5W-T421-JMD-K
Cable with Connectors on Both Ends (M12 Straight/RJ45) Shield Strengthening Connector cable *4 M12/Smartclick Connectors Rugged RJ45 plugs type Wire Gauge and Number of Pairs: AWG22, 2-pair cable Cable color: Black		OMRON	0.5	XS5W-T421-BMC-SS
			1	XS5W-T421-CMC-SS
			2	XS5W-T421-DMC-SS
			3	XS5W-T421-EMC-SS
			5	XS5W-T421-GMC-SS
			10	XS5W-T421-JMC-SS

\*1 Standard type cables length 0.2, 0.3, 0.5, 1, 1.5, 2, 3, 5, 7.5, 10, 15 and 20 m are available.  
Rugged type cables length 0.3, 0.5, 1, 2, 3, 5, 10 and 15 m are available.  
For details, refer to Cat.No.G019.

\*2 The lineup features Low Smoke Zero Halogen cables for in-cabinet use and PUR cables for out-of-cabinet use. Although the LSZH cable is single shielded, its communications and noise characteristics meet the standards.

\*3 Cables colors are available in blue, yellow, or Green.

\*4 For details, contact your OMRON representative.

### Cables / Connectors


#### Wire Gauge and Number of Pairs: AWG24, 4-pair Cable

Item	Appearance	Recommended manufacturer	Model
Cables	---	Hitachi Metals, Ltd.	NETSTAR-C5E SAB 0.5 x 4P CP *
	---	Kuramo Electric Co.	KETH-SB *
RJ45 Connectors	---	Panduit Corporation	MPS588-C *

\* We recommend you to use above cable and connector together.

# High-function General-purpose Inverters RX-Series V1 type

## Wire Gauge and Number of Pairs: AWG22, 2-pair Cable

Item	Appearance	Recommended manufacturer	Model
Cables	---	Kuramo Electric Co.	KETH-PSB-OMR *
	---	JMACS Japan Co., Ltd.	PNET/B *
RJ45 Assembly Connector		OMRON	XS6G-T421-1 *

\* We recommend you to use above cable and connector together.

## Software

### How to Select Required Support Software for Your Controller

The required Support Software depends on the Controller to connect. Please check the following table when purchasing the Support Software.

Item	Omron PLC System	Omron Machine Automation Controller System
Controller	CS, CJ, CP, and other series	NJ/NX-series
Inverter	Inverter RX-series V1 type Inverter RX-series V1 type with CompoNet™ Communication Unit Inverter RX-series V1 type with DeviceNet™ Communication Unit	Inverter RX-series V1 type with EtherCAT Communication Unit
Software	FA Integrated Tool Package CX-One (CX-Drive: Version 2.72 or higher)	Automation Software Sysmac Studio (Version 1.03 or higher)

### FA Integrated Tool Package CX-One

Product name	Specifications			Model
		Number of licenses	Media	
<b>FA Integrated Tool Package CX-One Ver.4.□</b>	The CX-One is a comprehensive software package that integrates Support Software for OMRON PLCs and components. CX-One runs on the following OS. Windows 7 (32-bit/64-bit version) / Windows 8 (32-bit/64-bit version) / Windows 8.1 (32-bit/64-bit version) / Windows 10 (32-bit/64-bit version) CX-One Version 4.□ includes CX-Drive Ver.2.□. For details, refer to the CX-One catalog (Cat. No. R134)	1 license *	DVD	<b>CXONE-AL01D-V4</b>

\* Multi licenses (3, 10, 30, or 50 licenses) and DVD media without licenses are also available for the CX-One.

### Automation Software Sysmac Studio

Please purchase a DVD and required number of licenses the first time you purchase the Sysmac Studio. DVDs and licenses are available individually. Each model of licenses does not include any DVD.

Product name	Specifications			Model
		Number of licenses	Media	
<b>Sysmac Studio Standard Edition Ver.1.□□</b>	The Sysmac Studio is the software that provides an integrated environment for setting, programming, debugging and maintenance of machine automation controllers including the NJ/NX-series CPU Units, NY-series Industrial PC, EtherCAT Slave, and the HMI. Sysmac Studio runs on the following OS. *1 Windows 7 (32-bit/64-bit version) / Windows 8(32-bit/64-bit version)/ Windows 8.1(32-bit/64-bit version)/ Windows 10 (32-bit/64-bit version)/ Windows 11 (64-bit version) The Sysmac Studio Standard Edition DVD includes Support Software to set up EtherNet/IP Units, DeviceNet™ slaves, Serial Communications Units, and Support Software for creating screens on HMIs (CX-Designer). For details, refer to your OMRON website.	- (Media only)	Sysmac Studio (32 bit) DVD	<b>SYSMAC-SE200D</b>
		- (Media only)	Sysmac Studio (64 bit) DVD	<b>SYSMAC-SE200D-64</b>
		1 license *2	---	<b>SYSMAC-SE201L</b>

\*1 Model "SYSMAC-SE200D-64" runs on Windows 10 (64 bit) or higher.

\*2 Multi licenses are available for the Sysmac Studio (3, 10, 30, or 50 licenses).

### Communications Cable

Name	Specifications	Model
Communications cable for CX-Drive	USB Cable for JX and RX series (2m)	3G3AX-PCACN2

## Overview of Inverter Selection

For detail of Inverter selection, refer to the RX series V1 type User's Manual. (Man.No.I578).

### Motor Capacity Selection

Before selecting an inverter, first the motor should be chosen. In selecting the motor, first calculate the load inertia for the applications, and then calculate the required capacity and torque.

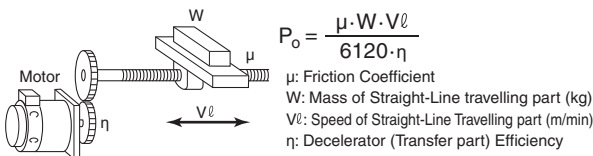
### Make a simple selection (use Formulas for the required output power)

This method of calculation helps select a motor by calculating the output (W) required by the motor to maintain its regular rotations. It does not include calculation of the effect of acceleration/deceleration. Therefore, make allowance for the calculated value to select a motor. This calculation method can be applied to applications that operate constantly such as fans, conveyers, agitators etc.

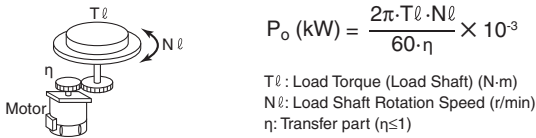
This calculation method must not be applied to the following applications:

- Those requiring instant start-up.
- Those that frequently repeat operation and stop.
- Those that have a large inertia at the power transfer part.
- Those that have an inefficient power transfer part.

### ● For Straight-Line Operation: Normal Power PO (kW)



### ● For Rotating Operation: Normal Power PO (kW)

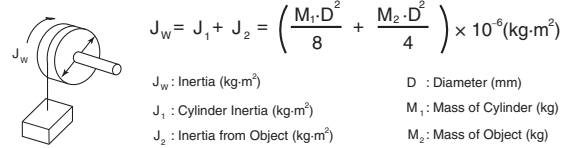


### Detailed Selection Method (R.M.S Algorithm)

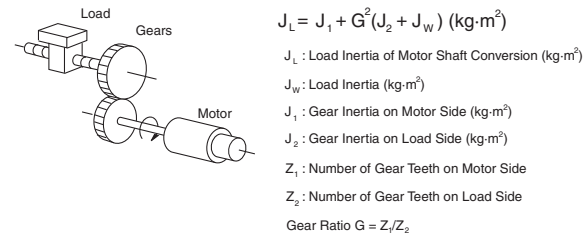
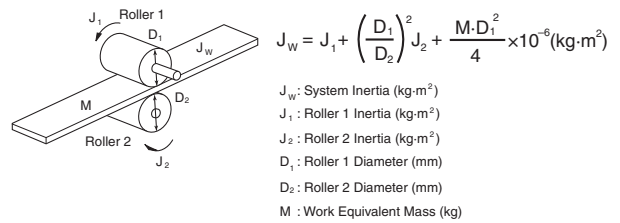
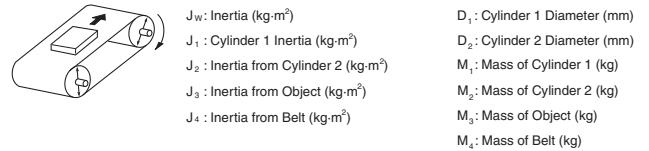
This method helps to select a motor by calculating the effective torque and maximum torque required to achieve a certain pattern of operation for the application. It selects a motor that is optimal for a particular operation pattern.

### ● Calculate the inertia with a Motor Shaft Conversion Value

Calculate inertias of all the components with the formula for inertia calculation shown below to convert them to a motor conversion value.



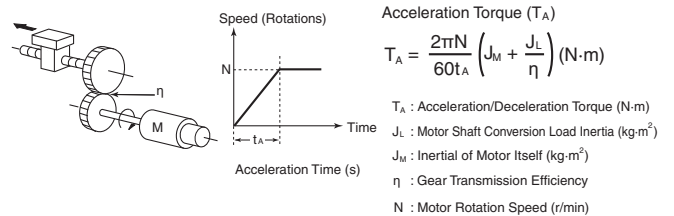
$$J_w = J_1 + J_2 + J_3 + J_4 = \left( \frac{M_1 \cdot D_1^2}{8} + \frac{M_2 \cdot D_2^2}{8} \cdot \frac{D_2^2}{D_1^2} + \frac{M_3 \cdot D_1^2}{4} + \frac{M_4 \cdot D_1^2}{4} \right) \times 10^{-6} \text{ (kg-m}^2\text{)}$$



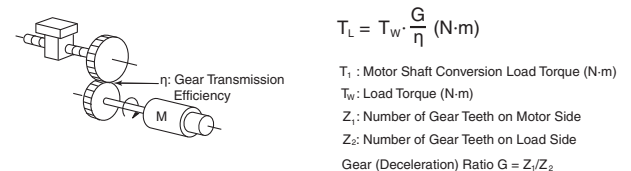
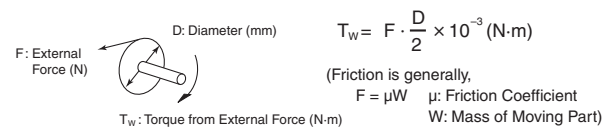
### ● Calculate Motor Shaft Conversion Torque and Effective Torque

Calculate the acceleration torque from the load torque calculated from both the motor shaft conversion value and the motor rotor inertia. Then Combine this acceleration torque and the Load torque calculated from the friction force and the external force that are applied to the load. Now you get the required torque to operate a motor.

#### Acceleration Torque



#### Motor Shaft Conversion Load Torque (External Force/Friction)



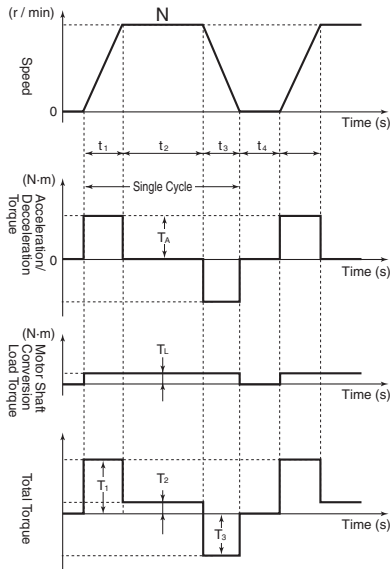
# High-function General-purpose Inverters RX-Series

## • Calculation of Total Torque and Effective Torque

Effective Torque:  $T_{RMS}$  (N·m)

$$= \sqrt{\frac{\sum (T_i)^2 \cdot t_i}{\sum t_i}} = \sqrt{\frac{T_1^2 \cdot t_1 + T_2^2 \cdot t_2 + T_3^2 \cdot t_3 + T_4^2 \cdot t_4}{t_1 + t_2 + t_3 + t_4}}$$

Maximum Torque:  $T_{MAX} = T_1 = T_A + T_L$



**Note:** Please make use of the Servo Motor selection software, which can calculate the motor shaft conversion inertia and effective/maximum torque, as above.

## ● Motor Selection

Use the formula below to calculate the motor capacity from the effective torque and the maximum torque that were obtained above. Select the larger of the two generated values as the motor capacity. Select a motor the capacity of which is larger than the calculated value and makes allowance for an error.

### • Motor Capacity corresponding to Effective Torque

$$\text{Motor Capacity (kW)} = 1.048 \cdot N \cdot T_{RMS} \cdot 10^{-4}$$

N: Maximum Rotations (r/min)

### • Motor Capacity capable of Providing Maximum Torque

$$\text{Motor Capacity (kW)} = 1.048 \cdot N \cdot T_{MAX} \cdot 10^{-4} / 1.5$$

N: Maximum Rotations (r/min)

## Inverter Capacity Selection

Select an inverter that can be used for the selected motor in the process of "Motor Selection".

Generally, select an inverter which fits the maximum applicable motor capacity of the selected motor.

After selecting an inverter, check if it meets with all of the following conditions. If it does not, select an inverter that has a one class larger capacity and check the feasibility again.

**Motor Rated Current  $\leq$  Inverter Rated Output Current**  
**Maximum Time of Continuous Torque Output Time in an Application  $\leq$  1 minute**

- Note:**
1. Where the inverter overload capacity is "120% of Rated Output Current for 1 minute", check it for 0.8 minute.
  2. Where a 0 Hz sensor-less vector control is being used, or where torque must be maintained for 0 (r/min) rotation speed and where 150% of the rated torque is frequently required, use an inverter which is one rank larger than the one selected by the above method.

## Outline of Braking Resistor Selection

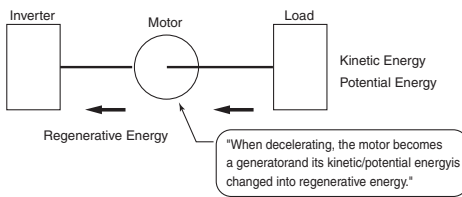
### Importance of Braking Resistor

If the regenerative energy generated in deceleration or descent in an application is too great, the main circuit of an inverter may have an increased voltage and it may be damaged.

Because the inverter usually contains the overvoltage LAD stop function, it is not actually damaged. However, the motor stops detecting an error, making a stable and continuous operation disabled. Therefore, you must discharge the regenerative energy outside of the inverter.

#### ● What is Regenerative Energy?

A load connected to a motor has kinetic energy when rotating, and potential energy when it is located in a high position. When the motor decelerates, or when the load descends, the energy is returned to an inverter. It is known as regeneration, and the energy generated by the phenomenon is known as regenerative energy.



#### ● Preventing Braking Resistance

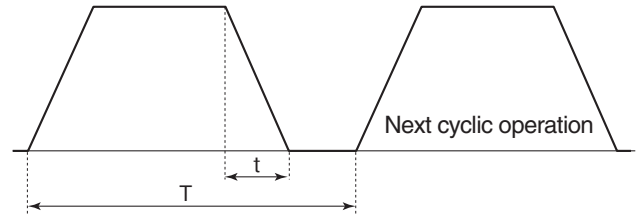
The following are methods to prevent the connection of braking resistance.

These methods will make the deceleration time increase, so check if it will not cause problems.

- Enable the deceleration stall prevention (enabled in factory settings) (It will automatically increase deceleration time not to cause an overvoltage to stop the motor).
- Set a longer deceleration time. (Cause the regenerative energy to decrease per unit of time.)
- Disable Free-Run. (Prevent the regenerative energy from returning to an inverter.)

### Make a Simple Selection for Braking Resistors

It can be a simple selecting method by using the ratio of time in which regenerative energy is produced in a normal operating pattern. Calculate the usage ratio from the following operating pattern.



$$\text{Usage Rate} = t/T \times 100 (\% \text{ ED})$$

t : Deceleration Time (Regenerative Time)

T : Single Cycle Operation Time

%ED is the unit used for a usage rate.

The usage rate is used as the ratio of deceleration time (regenerative operation time) to simplify the selection of the braking options.

#### ● For Models with a Built-in Braking Circuit (3G3RX Max. 22 kW)

Select the braking resistor based on the usage rate calculated from the operation patterns.

Refer to the braking resistor list described in the User's manual and catalog, and connect it according to your Inverter.

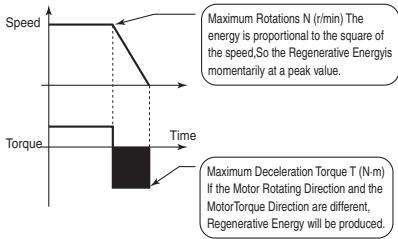
#### ● For Models without a Built-in Braking Circuit (3G3RX Min. 30 kW)

Select the regenerative braking unit and the braking resistor. Refer to the regenerative braking unit and braking resistor lists described in the User's manual and catalog, and connect them according to your Inverter.

# High-function General-purpose Inverters RX-Series

When the usage ratio for the braking resistor selected on the previous page exceeds 10% ED, or when an extremely large braking torque is required, use the method below to calculate a regenerative energy and make your selection.

## ● Calculation of Required Braking Resistor



$$\text{Breaking Resistance Resistor: } R \leq \frac{V^2}{1.048 \times (T - 0.2 \times T_m) \times N \times 10^{-1}}$$

V: 200V class inverter 385 (V)

400V class inverter 760 (V)

T: Maximum Braking Torque (N·m)

T<sub>m</sub>: Motor Rated Torque (N·m)

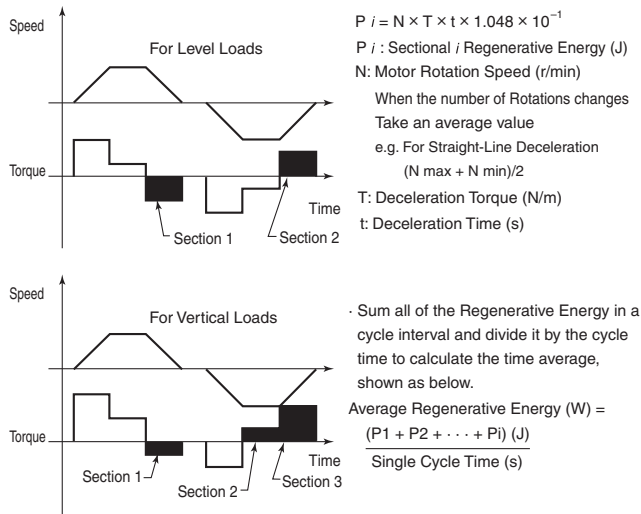
N: Maximum Rotation Speed (r/min)

**Note:** Calculate a braking torque using the above "Motor Capacity Selection".

## ● Calculation of Average Regenerative Energy

Regenerative Energy is produced when the motor rotation direction and the torque direction are opposite.

Use the following formula to calculate a regenerative energy per cycle interval.



**Note:** 1. Forward rotation direction is forward for the speed, and the torque in the forward rotation direction is forward for the torque.

2. Calculate a braking torque using the above "Motor Capacity Selection".

## ● Braking Resistor Selection

Select a Braking Resistor from the required braking resistance and average regenerative energy on the left.

- Required Braking Resistance  $\geq$  Resistance of Braking Resistor  $\geq$  Minimum Connection Resistance of Inverter or Regenerative Braking Unit
- Average Regenerative Energy  $\leq$  Permissible Power for Braking Resistor

- Note:** 1. If a resistance that has a less than the minimum connectable value is connected on an inverter or regenerative braking resistor unit, the internal braking transistor can be damaged. When the required braking resistance is less than the minimum connectable resistance, change the inverter or regenerative energy braking to the one having a larger capacity and a minimum connection resistance less than the required braking resistance.
2. Two or more regenerative braking units can be operated in parallel. Refer to the following formula to know the braking resistance value in such a case.  
Braking Resistance(Ω) = (Required Braking Resistance as calculated above) × (No. of Units in use)
3. Do not use the above formula to select a generative braking resistance value. 150W does not reflect a permissible power capacity, but the maximum rated power per unit of resistance. The actual permissible power varies according to a resistance.

# High-function General-purpose Inverters RX-Series V1 type

## Related Manuals

Man.No.	Model	Manual
I578	3G3RX-□□□□□-V1	RX-V1 Series High-function General-purpose Inverter USER'S MANUAL
I560	3G3RX-□□□□□	RX Series High-function General-purpose Inverter USER'S MANUAL
I574	3G3AX-MX2-ECT 3G3AX-RX-ECT	MX2 series/RX series V1 type EtherCAT Communication Unit USER'S MANUAL
I581	3G3AX-MX2-DRT-E 3G3AX-RX-DRT-E	MX2 series/RX series V1 type DeviceNet™ Communication Unit USER'S MANUAL
I582	3G3AX-MX2-CRT-E 3G3AX-RX-CRT-E	MX2 series/RX series V1 type CompoNet™ Communication Unit USER'S MANUAL
I580	3G3RX-□□□□□-V1 CXONE-AL□□□D-V□	CX-Drive Drive Programming USER'S MANUAL
W463	CXONE-AL□□□D-V□	CX-One FA Integrated Tool Package SETUP MANUAL
W453	CXONE-AL□□□D-V□ WS02-DRVC01	CX-Drive OPERATION MANUAL
W504	SYSMAC-SE□	Sysmac Studio Version 1 OPERATION MANUAL

## **READ AND UNDERSTAND THIS CATALOG**

Please read and understand this catalog before purchasing the products. Please consult your OMRON representative if you have any questions or comments.

## **WARRANTY**

OMRON's exclusive warranty is that the products are free from defects in materials and workmanship for a period of one year (or other period if specified) from date of sale by OMRON.

OMRON MAKES NO WARRANTY OR REPRESENTATION, EXPRESS OR IMPLIED, REGARDING NON-INFRINGEMENT, MERCHANTABILITY, OR FITNESS FOR PARTICULAR PURPOSE OF THE PRODUCTS. ANY BUYER OR USER ACKNOWLEDGES THAT THE BUYER OR USER ALONE HAS DETERMINED THAT THE PRODUCTS WILL SUITABLY MEET THE REQUIREMENTS OF THEIR INTENDED USE. OMRON DISCLAIMS ALL OTHER WARRANTIES, EXPRESS OR IMPLIED.

## **LIMITATIONS OF LIABILITY**

OMRON SHALL NOT BE RESPONSIBLE FOR SPECIAL, INDIRECT, OR CONSEQUENTIAL DAMAGES, LOSS OF PROFITS OR COMMERCIAL LOSS IN ANY WAY CONNECTED WITH THE PRODUCTS, WHETHER SUCH CLAIM IS BASED ON CONTRACT, WARRANTY, NEGLIGENCE, OR STRICT LIABILITY.

In no event shall responsibility of OMRON for any act exceed the individual price of the product on which liability is asserted.

IN NO EVENT SHALL OMRON BE RESPONSIBLE FOR WARRANTY, REPAIR, OR OTHER CLAIMS REGARDING THE PRODUCTS UNLESS OMRON'S ANALYSIS CONFIRMS THAT THE PRODUCTS WERE PROPERLY HANDLED, STORED, INSTALLED, AND MAINTAINED AND NOT SUBJECT TO CONTAMINATION, ABUSE, MISUSE, OR INAPPROPRIATE MODIFICATION OR REPAIR.

## **SUITABILITY FOR USE**

OMRON shall not be responsible for conformity with any standards, codes, or regulations that apply to the combination of products in the customer's application or use of the product.

At the customer's request, OMRON will provide applicable third party certification documents identifying ratings and limitations of use that apply to the products. This information by itself is not sufficient for a complete determination of the suitability of the products in combination with the end product, machine, system, or other application or use.

The following are some examples of applications for which particular attention must be given. This is not intended to be an exhaustive list of all possible uses of the products, nor is it intended to imply that the uses listed may be suitable for the products:

- Outdoor use, uses involving potential chemical contamination or electrical interference, or conditions or uses not described in this document.
- Nuclear energy control systems, combustion systems, railroad systems, aviation systems, medical equipment, amusement machines, vehicles, safety equipment, and installations subject to separate industry or government regulations.
- Systems, machines, and equipment that could present a risk to life or property.

Please know and observe all prohibitions of use applicable to the products.

NEVER USE THE PRODUCTS FOR AN APPLICATION INVOLVING SERIOUS RISK TO LIFE OR PROPERTY WITHOUT ENSURING THAT THE SYSTEM AS A WHOLE HAS BEEN DESIGNED TO ADDRESS THE RISKS, AND THAT THE OMRON PRODUCT IS PROPERLY RATED AND INSTALLED FOR THE INTENDED USE WITHIN THE OVERALL EQUIPMENT OR SYSTEM.

## **PERFORMANCE DATA**

Performance data given in this document is provided as a guide for the user in determining suitability and does not constitute a warranty. It may represent the result of OMRON's test conditions, and the users must correlate it to actual application requirements. Actual performance is subject to the OMRON Warranty and Limitations of Liability.

## **CHANGE IN SPECIFICATIONS**

Product specifications and accessories may be changed at any time based on improvements and other reasons.

It is our practice to change model numbers when published ratings or features are changed, or when significant construction changes are made. However, some specifications of the product may be changed without any notice. When in doubt, special model numbers may be assigned to fix or establish key specifications for your application on your request. Please consult with your OMRON representative at any time to confirm actual specifications of purchased products.

## **DIMENSIONS AND WEIGHTS**

Dimensions and weights are nominal and are not to be used for manufacturing purposes, even when tolerances are shown.

## **ERRORS AND OMISSIONS**

The information in this document has been carefully checked and is believed to be accurate; however, no responsibility is assumed for clerical, typographical, or proofreading errors, or omissions.

## **PROGRAMMABLE PRODUCTS**

OMRON shall not be responsible for the user's programming of a programmable product, or any consequence thereof.

## **COPYRIGHT AND COPY PERMISSION**

This document shall not be copied for sales or promotions without permission.

This document is protected by copyright and is intended solely for use in conjunction with the product. Please notify us before copying or reproducing this document in any manner, for any other purpose. If copying or transmitting this document to another, please copy or transmit it in its entirety.

**Note: Do not use this document to operate the Unit.**

**OMRON Corporation Industrial Automation Company**  
Kyoto, JAPAN

Contact: [www.ia.omron.com](http://www.ia.omron.com)

### ***Regional Headquarters***

#### **OMRON EUROPE B.V.**

Wegalaan 67-69, 2132 JD Hoofddorp  
The Netherlands  
Tel: (31)2356-81-300/Fax: (31)2356-81-388

#### **OMRON ELECTRONICS LLC**

2895 Greenspoint Parkway, Suite 200  
Hoffman Estates, IL 60169 U.S.A.  
Tel: (1) 847-843-7900/Fax: (1) 847-843-7787

#### **OMRON ASIA PACIFIC PTE. LTD.**

438B Alexandra Road, #08-01/02 Alexandra  
Technopark, Singapore 119968  
Tel: (65) 6835-3011/Fax: (65) 6835-2711

#### **OMRON (CHINA) CO., LTD.**

Room 2211, Bank of China Tower,  
200 Yin Cheng Zhong Road,  
PuDong New Area, Shanghai, 200120, China  
Tel: (86) 21-5037-2222/Fax: (86) 21-5037-2200

**Authorized Distributor:**

© OMRON Corporation 2012-2022 All Rights Reserved.  
In the interest of product improvement,  
specifications are subject to change without notice.

**CSM\_13\_12**

**Cat. No. I919-E1-05**

0522 (1112)