

General technical data		
Product brand name		SIRIUS
Product designation		3-phase infeed terminals
Size of contactor		S00
Protection class IP on the front		IP20
Ambient temperature		
• during storage	°C	-50 ... +80
• during operation	°C	-40 ... +60
Insulation voltage with degree of pollution 3 at AC rated value	V	690
Installation/ mounting/ dimensions		
Width	mm	25.9
Height	mm	30.4
Depth	mm	28.4
Connections/ Terminals		
Type of electrical connection		
• for main current circuit		screw-type terminals with box terminals
Type of connectable conductor cross-sections		

- for main contacts
 - solid
 - stranded
 - finely stranded
 - with core end processing
- at AWG conductors
 - for main contacts

	1x (2.5 ... 6.0 mm ²)
	1x (2.5 ... 6.0 mm ²)
	1x (2.5 ... 10.0 mm ²)
	1x (12 ... 8)

Certificates/ approvals

Certificate of suitability CE / UL / CSA / CCC

General Product Approval	Declaration of Conformity	Test Certificates
--------------------------	---------------------------	-------------------



[Miscellaneous](#)

[Special Test Certificate](#)

Test Certificates	Shipping Approval
-------------------	-------------------

[Type Test Certificates/Test Report](#)



other	Railway
-------	---------

[Confirmation](#)

[Vibration and Shock](#)

Further information

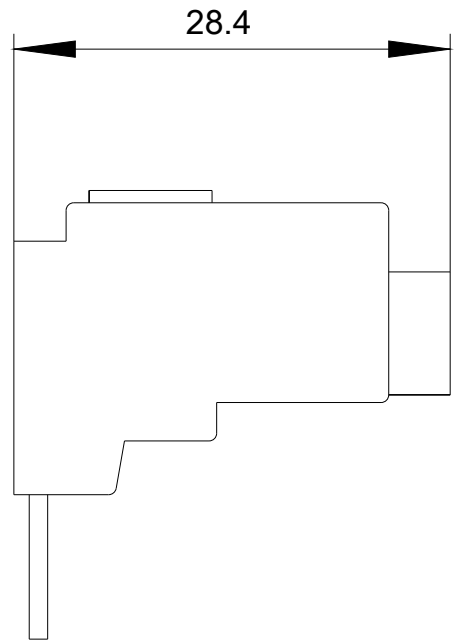
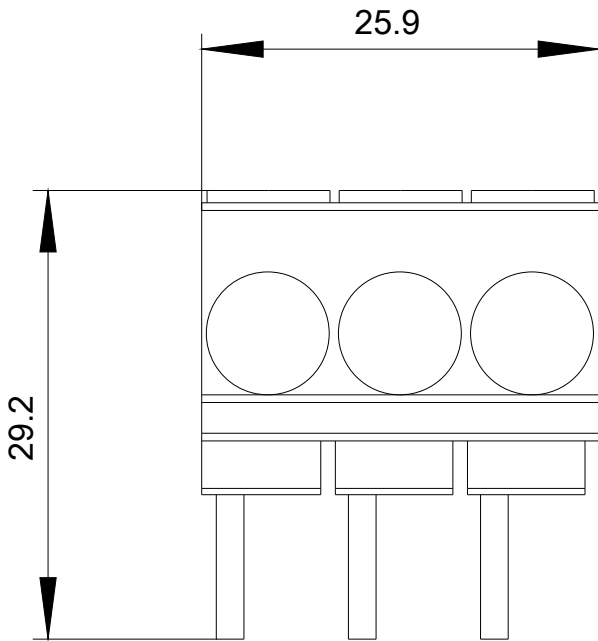
Information- and Downloadcenter (Catalogs, Brochures,...)
<https://www.siemens.com/ic10>

Industry Mall (Online ordering system)
<https://mall.industry.siemens.com/mall/en/en/Catalog/product?mlfb=3RA2913-3K>

Cax online generator
<http://support.automation.siemens.com/WW/CAXorder/default.aspx?lang=en&mlfb=3RA2913-3K>

Service&Support (Manuals, Certificates, Characteristics, FAQs,...)
<https://support.industry.siemens.com/cs/ww/en/ps/3RA2913-3K>

Image database (product images, 2D dimension drawings, 3D models, device circuit diagrams, EPLAN macros, ...)
http://www.automation.siemens.com/bilddb/cax_de.aspx?mlfb=3RA2913-3K&lang=en



last modified:

04/07/2020