

Current transformer 63...630 A for 3RB22/23/24 Size S10/S12 Contactor mounting/stand-alone installation Main circuit: busbar connection Auxiliary circuit: --



product brand name	SIRIUS
product designation	Current measuring module
General technical data	
type of protection according to ATEX directive 2014/34/EU	Ex II (2) GD
certificate of suitability according to ATEX directive 2014/34/EU	PTB 05 ATEX 3022
Substance Prohibitance (Date)	07/01/2006
Main circuit	
adjustable current response value current of the current-dependent overload release	63 ... 630 A
operating voltage	
• at AC-3e rated value maximum	1 000 V
operational current rated value	630 A
operational current at AC-3e at 400 V rated value	630 A
Installation/ mounting/ dimensions	
fastening method	Contactor mounting/stand-alone installation
Connections/ Terminals	
type of electrical connection	
• for main current circuit	screw-type terminals
Safety related data	
protection class IP on the front according to IEC 60529	IP00; IP20 with box terminal/cover
touch protection on the front according to IEC 60529	finger-safe, for vertical contact from the front with box terminal/cover
Certificates/ approvals	
General Product Approval	For use in hazardous locations



[Confirmation](#)



Declaration of Conformity

Test Certificates

Marine / Shipping



[Special Test Certificate](#)

[Type Test Certificates/Test Report](#)





[Confirmation](#)

Further information

Information- and Downloadcenter (Catalogs, Brochures,...)

<https://www.siemens.com/ic10>

Industry Mall (Online ordering system)

<https://mall.industry.siemens.com/mall/en/en/Catalog/product?mlfb=3RB2966-2WH2>

Cax online generator

<http://support.automation.siemens.com/WW/CAXorder/default.aspx?lang=en&mlfb=3RB2966-2WH2>

Service&Support (Manuals, Certificates, Characteristics, FAQs,...)

<https://support.industry.siemens.com/cs/ww/en/ps/3RB2966-2WH2>

Image database (product images, 2D dimension drawings, 3D models, device circuit diagrams, EPLAN macros, ...)

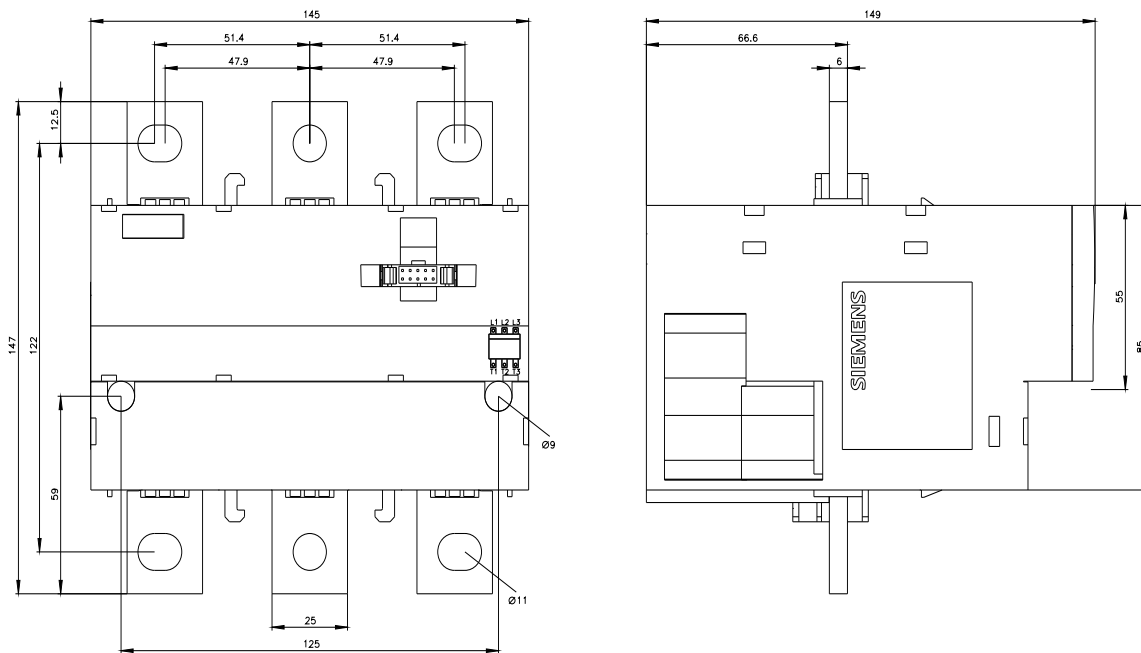
http://www.automation.siemens.com/bilddb/cax_de.aspx?mlfb=3RB2966-2WH2&lang=en

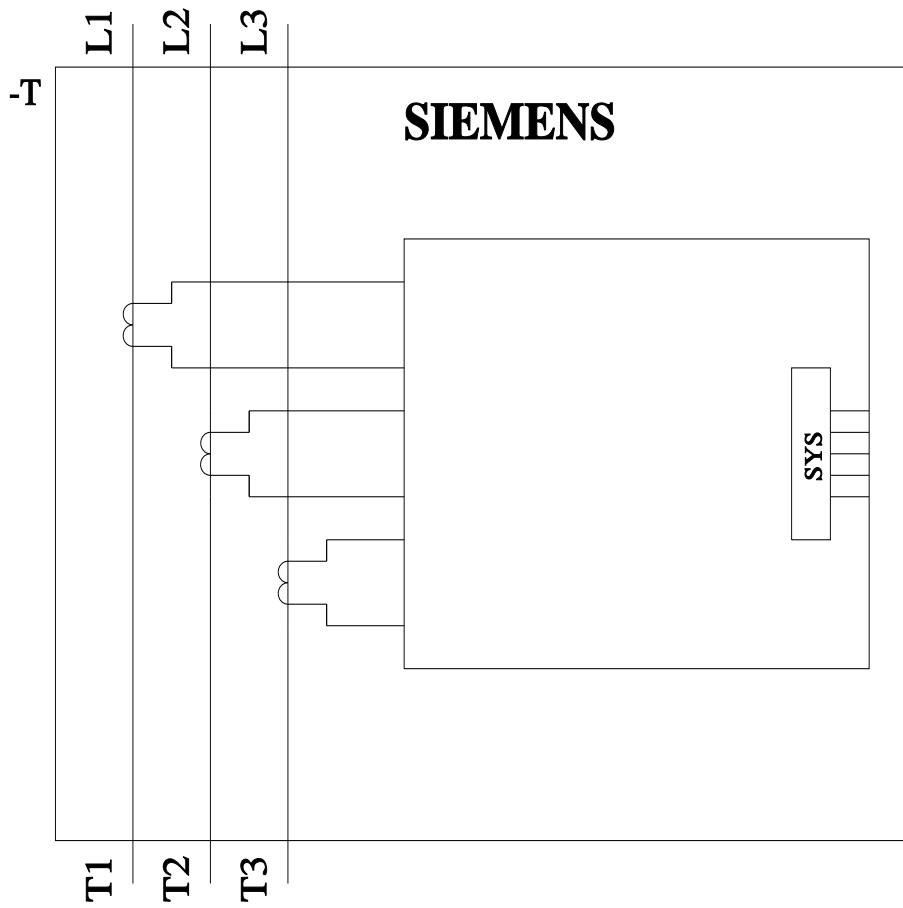
Characteristic: Tripping characteristics, I^t, Let-through current

<https://support.industry.siemens.com/cs/ww/en/ps/3RB2966-2WH2/char>

Further characteristics (e.g. electrical endurance, switching frequency)

<http://www.automation.siemens.com/bilddb/index.aspx?view=Search&mlfb=3RB2966-2WH2&objecttype=14&gridview=view1>





last modified:

2/9/2022 