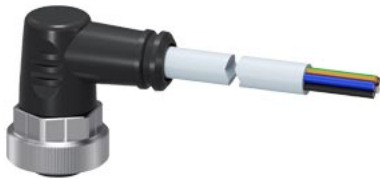


Power line 7/8" for 24 V connected and unconnected assembled with 1 x 7/8" angled on one side, 1.5 mm² Socket, 5-pole, Length 5.0 m



General technical data		
product description		7/8" socket, angled
wire length	m	5
General technical data		
ampacity per pin maximum	A	8
operating voltage		
• 1		
— at DC maximum	V	230
— at AC maximum	V	230
• 2		
— at DC maximum	V	400
— at AC maximum	V	400
surge voltage resistance rated value	kV	3
Mechanical data		
number of electrical cores		5
type of cable outlet		angled
number of poles		5
color		
• of cable sheath		gray
• of the insulation of data wires		black, blue, green yellow, brown, white
material		
• of cable sheath		Polyurethane
• of the wire insulation		polypropylene (PP)
• of the enclosure		polyurethane
design of the shield		unshielded
type of strain relief		molded
bending radius		
• with single bend minimum permissible	mm	65.25
• with multiple bends minimum permissible	mm	87
number of bending cycles		5 000 000
mechanical service life (mating cycles)		100
outer diameter		
• of the wire insulation	mm	2.3
• of inner conductor	mm	84
• of the cable	mm	8.7
symmetrical tolerance of the outer diameter of the cable	mm	0.2
type of connectable conductor cross-sections		5 x 1.5 mm ²
stranded		
type of plug interlock		7/8 thread
cable end components		open on one side
Ambient conditions		

ambient temperature

- during storage
- during operation

protection class IP**chemical resistance**

- to mineral oil
- to water
- to grease

degree of pollution

°C	-25 ... +80
°C	80 ... -20
	IP67

conditional, must be checked relative to the application
 conditional, must be checked relative to the application
 conditional, must be checked relative to the application
 3

Certificates/ approvals**certificate of suitability**

- CSA approval
- RoHS conformity
- UL approval
- CCC
- IEC approval
- cUL approval
- C-Tick

Yes
Yes
No
No
No
No
No

Further information**Information- and Downloadcenter (Catalogs, Brochures,...)**

<https://www.siemens.com/ic10>

Industry Mall (Online ordering system)

<https://mall.industry.siemens.com/mall/en/en/Catalog/product?mlfb=3RK1902-3GB50>

Cax online generator

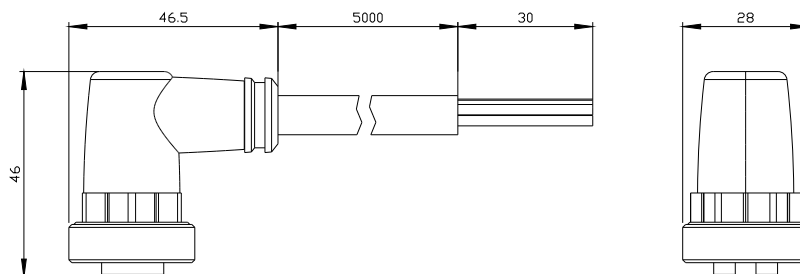
<http://support.automation.siemens.com/WW/CAXorder/default.aspx?lang=en&mlfb=3RK1902-3GB50>

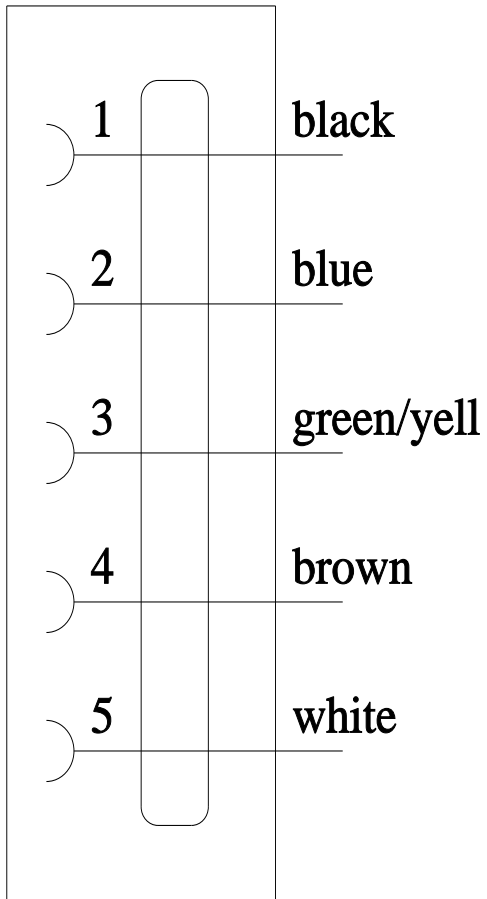
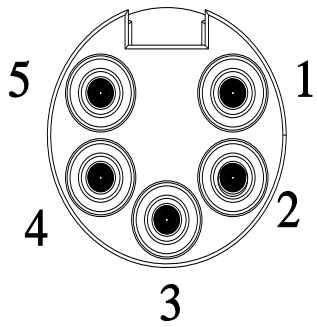
Service&Support (Manuals, Certificates, Characteristics, FAQs,...)

<https://support.industry.siemens.com/cs/ww/en/ps/3RK1902-3GB50>

Image database (product images, 2D dimension drawings, 3D models, device circuit diagrams, EPLAN macros, ...)

http://www.automation.siemens.com/bilddb/cax_de.aspx?mlfb=3RK1902-3GB50&lang=en





last modified:

12/23/2020 