



power contactor AC-1 690 A / 690 V / 40 °C 3-pole, U_c: 200-277 V AC(50-60 Hz) / DC PLC input 24 V DC drive: electronic auxiliary contacts 2 NO + 2 NC main circuit: busbar control and auxiliary circuit: screw terminal

product brand name	SIRIUS
product designation	Contacteur
product type designation	3RT14
General technical data	
size of contactor	S12
product extension	
• function module for communication	No
• auxiliary switch	Yes
power loss [W] for rated value of the current	
• at AC in hot operating state	185.7 W
• at AC in hot operating state per pole	61.9 W
• without load current share typical	3.6 W
insulation voltage	
• of main circuit with degree of pollution 3 rated value	1 000 V
• of auxiliary circuit with degree of pollution 3 rated value	500 V
surge voltage resistance	
• of main circuit rated value	8 kV
• of auxiliary circuit rated value	6 kV
shock resistance at rectangular impulse	
• at AC	8,5g / 5 ms, 4,2g / 10 ms
• at DC	8,5g / 5 ms, 4,2g / 10 ms
shock resistance with sine pulse	
• at AC	13,4g / 5 ms, 6,5g / 10 ms
• at DC	13,4g / 5 ms, 6,5g / 10 ms
mechanical service life (operating cycles)	
• of contactor typical	10 000 000
• of the contactor with added electronically optimized auxiliary switch block typical	5 000 000
• of the contactor with added auxiliary switch block typical	10 000 000
reference code according to IEC 81346-2	Q
Substance Prohibitance (Date)	05/01/2012
Ambient conditions	
installation altitude at height above sea level maximum	2 000 m
ambient temperature	
• during operation	-25 ... +60 °C
• during storage	-55 ... +80 °C
relative humidity minimum	10 %
relative humidity at 55 °C according to IEC 60068-2-30 maximum	95 %
Main circuit	
number of poles for main current circuit	3

number of NO contacts for main contacts	3
number of NC contacts for main contacts	0
type of voltage for main current circuit	AC
operational current	
• at AC-1	
— up to 690 V at ambient temperature 40 °C rated value	690 A
— up to 690 V at ambient temperature 55 °C rated value	600 A
— up to 690 V at ambient temperature 60 °C rated value	600 A
• at AC-3	
— at 400 V rated value	170 A
— at 690 V rated value	170 A
minimum cross-section in main circuit at maximum AC-1 rated value	480 mm ²
no-load switching frequency	
• at AC	1 000 1/h
• at DC	1 000 1/h
operating frequency at AC-1 maximum	600 1/h
Control circuit/ Control	
type of voltage	AC/DC
type of voltage of the control supply voltage	AC/DC
control supply voltage at AC	
• at 50 Hz rated value	200 ... 277 V
• at 60 Hz rated value	200 ... 277 V
control supply voltage at DC	
• rated value	200 ... 277 V
operating range factor control supply voltage rated value of magnet coil at DC	
• initial value	0.8
• full-scale value	1.1
operating range factor control supply voltage rated value of magnet coil at AC	
• at 50 Hz	0.8 ... 1.1
• at 60 Hz	0.8 ... 1.1
type of PLC-control input according to IEC 60947-1	Type 2
consumed current at PLC-control input according to IEC 60947-1 maximum	20 mA
design of the surge suppressor	with varistor
apparent pick-up power of magnet coil at AC	
• at 50 Hz	750 VA
inductive power factor with closing power of the coil	
• at 50 Hz	0.8
apparent holding power of magnet coil at AC	
• at 50 Hz	7 VA
inductive power factor with the holding power of the coil	
• at 50 Hz	0.8
closing power of magnet coil at DC	800 W
holding power of magnet coil at DC	3.6 W
closing delay	
• at AC	60 ... 90 ms
• at DC	60 ... 90 ms
opening delay	
• at AC	80 ... 100 ms
• at DC	80 ... 100 ms
arcing time	10 ... 15 ms
control version of the switch operating mechanism	PLC-IN or Standard A1 - A2 (adjustable)
Auxiliary circuit	
number of NC contacts for auxiliary contacts	2
• attachable	4
• instantaneous contact	2
number of NO contacts for auxiliary contacts	2

<ul style="list-style-type: none"> • attachable 	4
<ul style="list-style-type: none"> • instantaneous contact 	2
operational current at AC-12 maximum	10 A
operational current at AC-15	
<ul style="list-style-type: none"> • at 230 V rated value 	6 A
<ul style="list-style-type: none"> • at 400 V rated value 	3 A
<ul style="list-style-type: none"> • at 500 V rated value 	2 A
<ul style="list-style-type: none"> • at 690 V rated value 	1 A
operational current at DC-13	
<ul style="list-style-type: none"> • at 24 V rated value 	10 A
<ul style="list-style-type: none"> • at 48 V rated value 	2 A
<ul style="list-style-type: none"> • at 60 V rated value 	2 A
<ul style="list-style-type: none"> • at 110 V rated value 	1 A
<ul style="list-style-type: none"> • at 125 V rated value 	0.9 A
<ul style="list-style-type: none"> • at 220 V rated value 	0.3 A
<ul style="list-style-type: none"> • at 600 V rated value 	0.1 A
design of the miniature circuit breaker for short-circuit protection of the auxiliary switch required	gG: 10 A (230 V, 400 A)
contact reliability of auxiliary contacts	1 faulty switching per 100 million (17 V, 1 mA)
Short-circuit protection	
product function short circuit protection	No
design of the fuse link	
<ul style="list-style-type: none"> • for short-circuit protection of the main circuit <ul style="list-style-type: none"> — with type of coordination 1 required — with type of assignment 2 required 	gG: 800 A (690 V, 50 kA) gR: 710 A (690 V, 100 kA)
<ul style="list-style-type: none"> • for short-circuit protection of the auxiliary switch required 	gG: 10 A (500 V, 1 kA)
Installation/ mounting/ dimensions	
mounting position	with vertical mounting surface +/-90° rotatable, with vertical mounting surface +/- 22.5° tiltable to the front and back
fastening method	screw fixing
<ul style="list-style-type: none"> • side-by-side mounting 	Yes
height	214 mm
width	160 mm
depth	225 mm
required spacing	
<ul style="list-style-type: none"> • with side-by-side mounting <ul style="list-style-type: none"> — forwards — upwards — downwards — at the side 	20 mm 10 mm 10 mm 0 mm
<ul style="list-style-type: none"> • for grounded parts <ul style="list-style-type: none"> — forwards — upwards — at the side — downwards 	20 mm 10 mm 10 mm 10 mm
<ul style="list-style-type: none"> • for live parts <ul style="list-style-type: none"> — forwards — upwards — downwards — at the side 	20 mm 10 mm 10 mm 10 mm
Connections/ Terminals	
type of electrical connection	
<ul style="list-style-type: none"> • for main current circuit 	Connection bar
<ul style="list-style-type: none"> • for auxiliary and control circuit 	screw-type terminals
<ul style="list-style-type: none"> • at contactor for auxiliary contacts 	Screw-type terminals
<ul style="list-style-type: none"> • of magnet coil 	Screw-type terminals
width of connection bar	25 mm
thickness of connection bar	6 mm
diameter of holes	11 mm
number of holes	1
connectable conductor cross-section for main contacts	

<ul style="list-style-type: none"> • solid or stranded • stranded 	70 ... 240 mm ² 70 ... 240 mm ²
connectable conductor cross-section for auxiliary contacts	
<ul style="list-style-type: none"> • solid or stranded • finely stranded with core end processing 	0.5 ... 4 mm ² 0.5 ... 2.5 mm ²
type of connectable conductor cross-sections	
<ul style="list-style-type: none"> • for auxiliary contacts <ul style="list-style-type: none"> — solid — solid or stranded — finely stranded with core end processing • for AWG cables for auxiliary contacts 	2x (0.5 ... 1.5 mm ²), 2x (0.75 ... 2.5 mm ²), max. 2x (0.75 ... 4 mm ²) 2x (0.5 ... 1.5 mm ²), 2x (0.75 ... 2.5 mm ²), max. 2x (0.75 ... 4 mm ²) 2x (0.5 ... 1.5 mm ²), 2x (0.75 ... 2.5 mm ²) 2x (20 ... 16), 2x (18 ... 14), 1x 12

Safety related data

product function	
<ul style="list-style-type: none"> • mirror contact according to IEC 60947-4-1 • positively driven operation according to IEC 60947-5-1 	Yes No
protection class IP on the front according to IEC 60529	IP00; IP20 with box terminal/cover
touch protection on the front according to IEC 60529	finger-safe, for vertical contact from the front with box terminal/cover

Certificates/ approvals

General Product Approval	EMC
--------------------------	-----



[Confirmation](#)



Functional Safety/Safety of Machinery	Declaration of Conformity	Test Certificates	Marine / Shipping
---------------------------------------	---------------------------	-------------------	-------------------

[Type Examination Certificate](#)



[Type Test Certificates/Test Report](#)

[Special Test Certificate](#)



Marine / Shipping	other
-------------------	-------



[Confirmation](#)

[Confirmation](#)

other	Railway
-------	---------

[Miscellaneous](#)

[Special Test Certificate](#)

[Vibration and Shock](#)

Further information

Siemens has decided to exit the Russian market (see here).

<https://press.siemens.com/global/en/pressrelease/siemens-wind-down-russian-business>

Siemens is working on the renewal of the current EAC certificates.

Please contact your local Siemens office on the status of validity of the EAC certification if you intend to import or offer to supply these products to an EAC relevant market (other than the sanctioned EAEU member states Russia or Belarus).

Information on the packaging

<https://support.industry.siemens.com/cs/ww/en/view/109813875>

Information- and Downloadcenter (Catalogs, Brochures,...)

<https://www.siemens.com/ic10>

Industry Mall (Online ordering system)

<https://mall.industry.siemens.com/mall/en/en/Catalog/product?mlfb=3RT1476-6NP36>

Cax online generator

<http://support.automation.siemens.com/WW/CAXorder/default.aspx?lang=en&mlfb=3RT1476-6NP36>

Service&Support (Manuals, Certificates, Characteristics, FAQs,...)

<https://support.industry.siemens.com/cs/ww/en/ps/3RT1476-6NP36>

Image database (product images, 2D dimension drawings, 3D models, device circuit diagrams, EPLAN macros, ...)

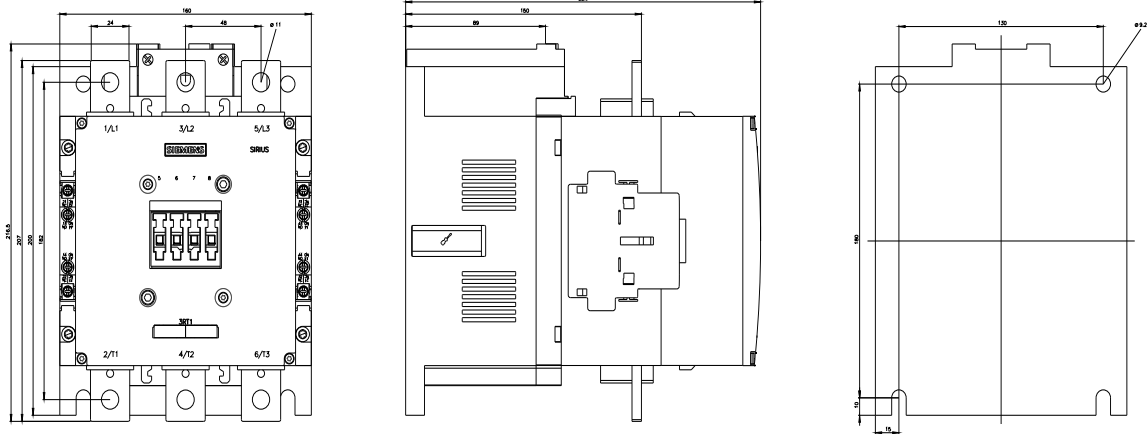
http://www.automation.siemens.com/bilddb/cax_de.aspx?mlfb=3RT1476-6NP36&lang=en

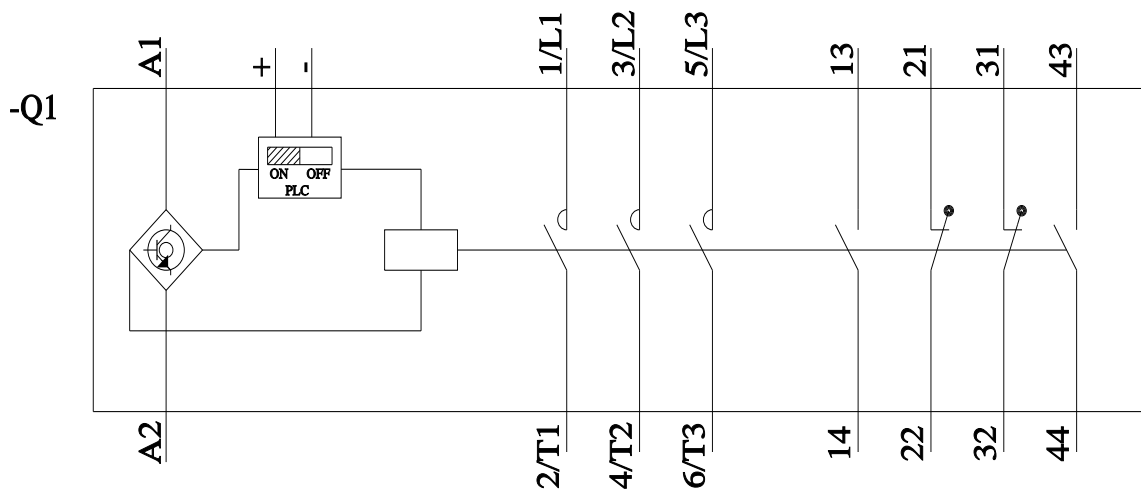
Characteristic: Tripping characteristics, I²t, Let-through current

<https://support.industry.siemens.com/cs/ww/en/ps/3RT1476-6NP36/char>

Further characteristics (e.g. electrical endurance, switching frequency)

<http://www.automation.siemens.com/bilddb/index.aspx?view=Search&mlfb=3RT1476-6NP36&objecttype=14&gridview=view1>





last modified:

3/15/2022 