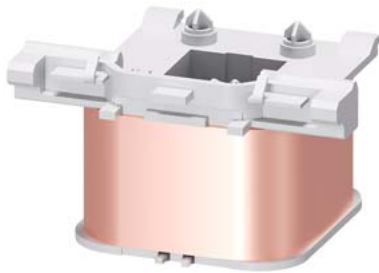


Magnet coil for contactors S2, 480 V AC, 60Hz,



General technical data

product brand name	SIRIUS
product designation	Magnet coil

Control circuit

type of voltage of the control supply voltage	AC
control supply voltage frequency	60 Hz
<ul style="list-style-type: none"> • 2 rated value 	
control supply voltage	480 V
<ul style="list-style-type: none"> • 1 at AC — at 60 Hz rated value 	
operating range factor control supply voltage rated value of magnet coil at AC	0.8 ... 1.1
<ul style="list-style-type: none"> • at 60 Hz 	

Certificates/ approvals

General Product Approval	EMC	Declaration of Conformity	Marine / Shipping
--------------------------	-----	---------------------------	-------------------

[Confirmation](#)



Marine / Shipping	other
-------------------	-------



[Confirmation](#)

Further information

Information- and Downloadcenter (Catalogs, Brochures,...)

<https://www.siemens.com/ic10>

Industry Mall (Online ordering system)

<https://mall.industry.siemens.com/mall/en/en/Catalog/product?mlfb=3RT2934-5AV61>

Cax online generator

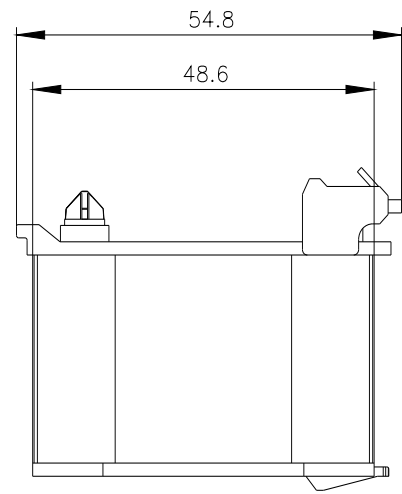
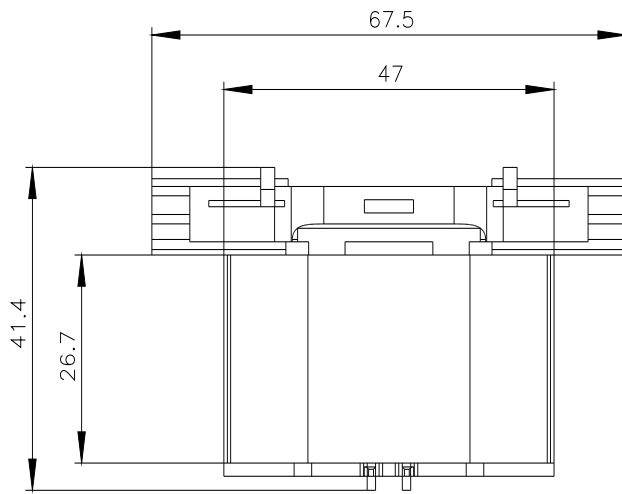
<http://support.automation.siemens.com/WW/CAXorder/default.aspx?lang=en&mlfb=3RT2934-5AV61>

Service&Support (Manuals, Certificates, Characteristics, FAQs,...)

<https://support.industry.siemens.com/cs/ww/en/ps/3RT2934-5AV61>

Image database (product images, 2D dimension drawings, 3D models, device circuit diagrams, EPLAN macros, ...)

http://www.automation.siemens.com/bilddb/cax_de.aspx?mlfb=3RT2934-5AV61&lang=en



last modified:

12/21/2020 