

Auxiliary switch transverse 1 NO+1 NC ring cable lug connection for circuit breaker 3RV2



General technical data		
product brand name		SIRIUS
product designation		auxiliary switch, transverse on the front
design of the product		transverse auxiliary switches
size of the circuit-breaker		S00, S0, S2, S3
protection class IP on the front according to IEC 60529		IP00; IP20 with cover
touch protection on the front according to IEC 60529		finger-safe, for vertical contact from the front with cover
ambient temperature		
<ul style="list-style-type: none"> during storage 	°C	-50 ... +80
<ul style="list-style-type: none"> during operation 	°C	-20 ... +60
Auxiliary circuit		
number of NC contacts for auxiliary contacts instantaneous contact		1
number of NO contacts for auxiliary contacts instantaneous contact		1
number of CO contacts of auxiliary contacts instantaneous contact		0
operational current		
<ul style="list-style-type: none"> of auxiliary contacts 		
<ul style="list-style-type: none"> — at AC-12 		
<ul style="list-style-type: none"> <ul style="list-style-type: none"> — at 24 V 	A	2.5
<ul style="list-style-type: none"> <ul style="list-style-type: none"> — at 230 V 	A	2.5
<ul style="list-style-type: none"> — maximum 	A	2.5
<ul style="list-style-type: none"> — at AC-15 		
<ul style="list-style-type: none"> <ul style="list-style-type: none"> — at 24 V 	A	2
<ul style="list-style-type: none"> <ul style="list-style-type: none"> — at 230 V 	A	0.5
<ul style="list-style-type: none"> — at DC-13 		
<ul style="list-style-type: none"> <ul style="list-style-type: none"> — at 24 V 	A	1
<ul style="list-style-type: none"> <ul style="list-style-type: none"> — at 48 V 	A	0.3
<ul style="list-style-type: none"> <ul style="list-style-type: none"> — at 60 V 	A	0.15
Installation/ mounting/ dimensions		
fastening method		plug-in fixing
width	mm	45
height	mm	12
depth	mm	17
Connections/ Terminals		
type of electrical connection for auxiliary and control circuit		ring terminal lug connection
Certificates/ approvals		
certificate of suitability		CE / UL / CSA / CCC
General Product Approval		



[Confirmation](#)



[KC](#)



Declaration of Conformity	Test Certificates	Marine / Shipping
---------------------------	-------------------	-------------------



EG-Konf.



[Type Test Certificates/Test Report](#)

[Special Test Certificate](#)



ABS



BUREAU VERITAS

Marine / Shipping	other
-------------------	-------



DNV



LRS



PRS



RINA



RMRS

[Confirmation](#)

other	Railway	Environment
-------	---------	-------------



VDE

[Vibration and Shock](#)

[Confirmation](#)

[Environmental Confirmations](#)

Further information

Information- and Downloadcenter (Catalogs, Brochures,...)

<https://www.siemens.com/ic10>

Industry Mall (Online ordering system)

<https://mall.industry.siemens.com/mall/en/en/Catalog/product?mfb=3RV2901-4E>

Cax online generator

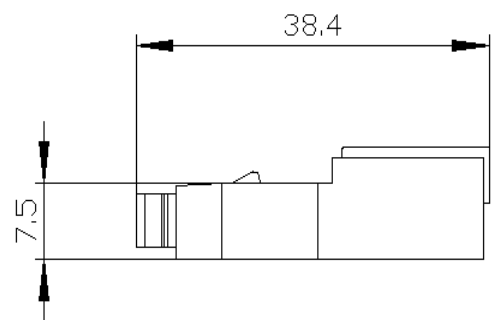
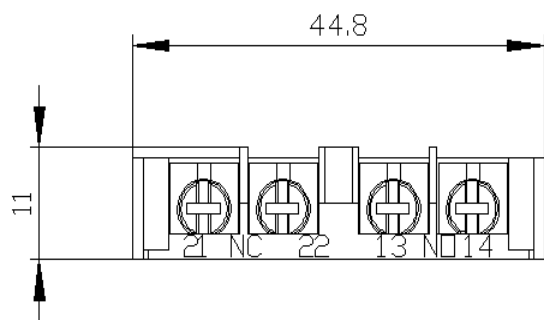
<http://support.automation.siemens.com/WW/CAXorder/default.aspx?lang=en&mfb=3RV2901-4E>

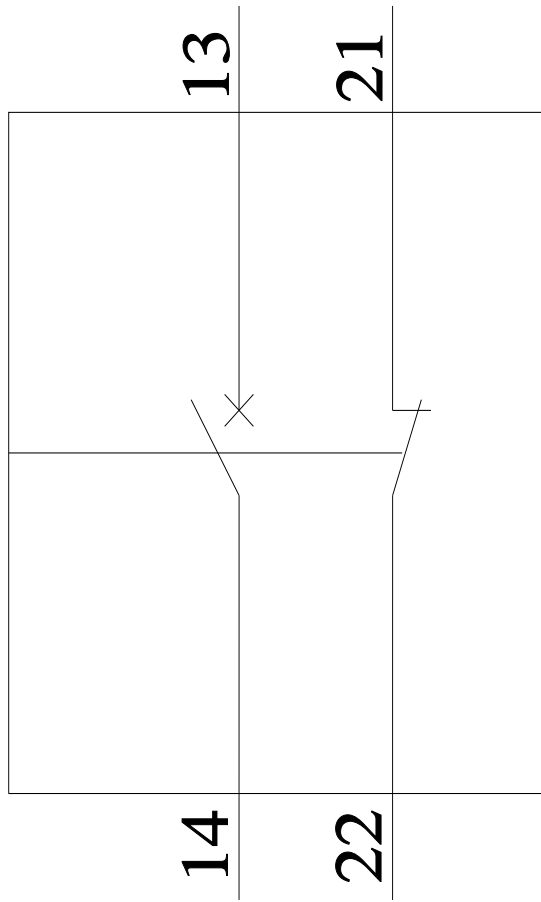
Service&Support (Manuals, Certificates, Characteristics, FAQs,...)

<https://support.industry.siemens.com/cs/ww/en/ps/3RV2901-4E>

Image database (product images, 2D dimension drawings, 3D models, device circuit diagrams, EPLAN macros, ...)

http://www.automation.siemens.com/bilddb/cax_de.aspx?mfb=3RV2901-4E&lang=en





last modified:

1/27/2022 