



Figure similar

22MM PLASTIC ROUND ACTUATOR: PUSHBUTTON WITH FLAT BUTTON WITH HOLDER WHITE !!! Phased-out product !!! SIRIUS ACT 3SU1 is successor Preferred successor type is >>3SU1000-0AB60-0AA0 + 3SU1500-0AA10-0AA0<<

| | |
|--|------------------------|
| design of the product | Single device round |
| Enclosure | |
| number of command points | 1 |
| Actuator | |
| design of the actuating element | Pushbutton |
| principle of operation of the actuating element | momentary contact type |
| product extension optional light source | No |
| color of the actuating element | white |
| material of the actuating element | plastic |
| shape of the actuating element | Flat pushbutton |
| outer diameter of the actuating element | 28.5 mm |
| type of unlocking device | without |
| number of switching positions | 2 |
| Front ring | |
| product component front ring | Yes |
| design of the front ring | Standard |
| material of the front ring | plastic |
| color of the front ring | black |
| Holder | |
| material of the holder | Plastic |
| General technical data | |
| product function | |
| • EMERGENCY OFF function | No |
| • EMERGENCY STOP function | No |
| protection class IP | IP66 |
| vibration resistance according to IEC 60068-2-6 | 20 ... 200 Hz: 5g |
| operating frequency maximum | 1 000 1/h |
| mechanical service life (operating cycles) typical | 10 000 000 |
| reference code according to IEC 81346-2 | S |
| Substance Prohibitance (Date) | 07/01/2006 |
| Connections/ Terminals | |
| tightening torque of the screws in the bracket | 1 ... 1.2 N·m |
| Ambient conditions | |
| ambient temperature | |
| • during operation | -25 ... +70 °C |
| • during storage | -40 ... +80 °C |
| environmental category during operation according to IEC 60721 | 3K6 |
| Installation/ mounting/ dimensions | |

| | |
|-----------------------------------|----------------|
| fastening method | front mounting |
| shape of the installation opening | round |
| mounting diameter | 22 mm |
| mounting height | 8 mm |
| installation width | 28.5 mm |
| installation depth | 29 mm |

Certificates/ approvals

| | |
|--------------------------|-------------------|
| General Product Approval | Marine / Shipping |
|--------------------------|-------------------|



| | |
|-------------------|-------|
| Marine / Shipping | other |
|-------------------|-------|



[Miscellaneous](#)

[Confirmation](#)

Further information

Siemens has decided to exit the Russian market (see here).

<https://press.siemens.com/global/en/pressrelease/siemens-wind-down-russian-business>

Siemens is working on the renewal of the current EAC certificates.

Please contact your local Siemens office on the status of validity of the EAC certification if you intend to import or offer to supply these products to an EAC relevant market (other than the sanctioned EAEU member states Russia or Belarus).

Information on the packaging

<https://support.industry.siemens.com/cs/ww/en/view/109813875>

Information- and Downloadcenter (Catalogs, Brochures,...)

<https://www.siemens.com/ic10>

Industry Mall (Online ordering system)

<https://mall.industry.siemens.com/mall/en/en/Catalog/product?mlfb=3SB3000-0AA61>

Cax online generator

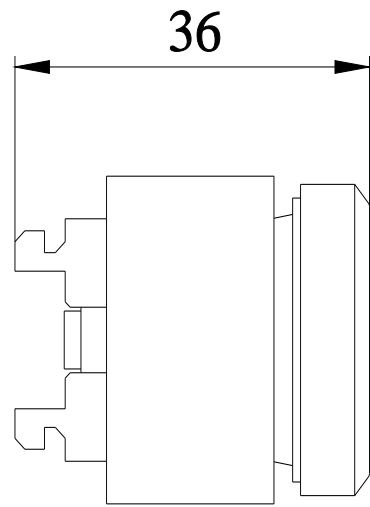
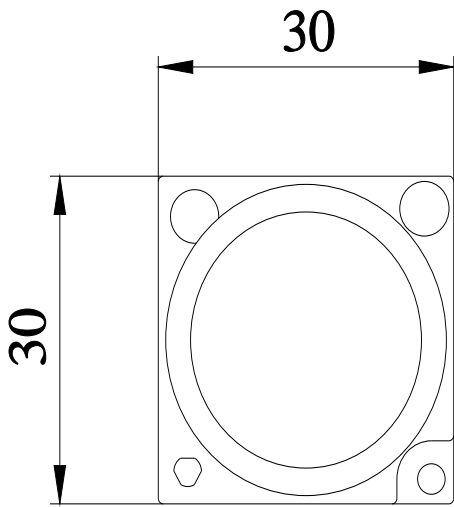
<http://support.automation.siemens.com/WW/CAXorder/default.aspx?lang=en&mlfb=3SB3000-0AA61>

Service&Support (Manuals, Certificates, Characteristics, FAQs,...)

<https://support.industry.siemens.com/cs/ww/en/ps/3SB3000-0AA61>

Image database (product images, 2D dimension drawings, 3D models, device circuit diagrams, EPLAN macros, ...)

http://www.automation.siemens.com/bilddb/cax_de.aspx?mlfb=3SB3000-0AA61&lang=en



last modified:

1/18/2021 