



Figure similar

22MM PLASTIC ROUND ACTUATOR: CES KEY-OPER.SWITCH WITH 2 KEYS 3 SWITCH POSITIONS I-O-II LATCHING LOCK NO SSG 10,REM.POS. I+O+II WITH HOLDER !!! Phased-out product !!! SIRIUS ACT 3SU1 is successor Preferred successor type is >>3SU1000-5BL11-0AA0 + 3SU1500-0AA10-0AA0<<

design of the product	Single device round
Enclosure	
number of command points	1
Actuator	
design of the actuating element	Key-operated switch
principle of operation of the actuating element	latching
product extension optional light source	No
color of the actuating element	silver
material of the actuating element	metal
outer diameter of the actuating element	28.5 mm
type of unlocking device	key unlatching
number of switching positions	3
switch position for key distraction	I+O+II
actuating angle	
• clockwise	50°
• anticlockwise	50°
lock make	CES
Front ring	
product component front ring	Yes
design of the front ring	Standard
material of the front ring	plastic
color of the front ring	black
Holder	
material of the holder	Plastic
General technical data	
product function	
• EMERGENCY OFF function	No
• EMERGENCY STOP function	No
protection class IP	IP66
vibration resistance according to IEC 60068-2-6	20 ... 200 Hz: 5g
operating frequency maximum	1 000 1/h
mechanical service life (operating cycles) typical	300 000
reference code according to IEC 81346-2	S
Substance Prohibitance (Date)	07/01/2006
Connections/ Terminals	
tightening torque of the screws in the bracket	1 ... 1.2 N·m
Safety related data	
B10 value with high demand rate according to SN 31920	50 000
proportion of dangerous failures	

• with low demand rate according to SN 31920	20 %
• with high demand rate according to SN 31920	20 %
failure rate [FIT] with low demand rate according to SN 31920	100 FIT

Ambient conditions

ambient temperature	
• during operation	-25 ... +70 °C
• during storage	-40 ... +80 °C
environmental category during operation according to IEC 60721	3K6

Installation/ mounting/ dimensions

fastening method	front mounting
shape of the installation opening	round
mounting diameter	22 mm
mounting height	64 mm
installation width	28.5 mm
installation depth	29 mm

Certificates/ approvals

General Product Approval	Marine / Shipping
---------------------------------	--------------------------



Marine / Shipping	other
--------------------------	--------------



[Miscellaneous](#)

[Confirmation](#)

Further information

Siemens has decided to exit the Russian market (see here).
<https://press.siemens.com/global/en/pressrelease/siemens-wind-down-russian-business>

Siemens is working on the renewal of the current EAC certificates.
 Please contact your local Siemens office on the status of validity of the EAC certification if you intend to import or offer to supply these products to an EAC relevant market (other than the sanctioned EAEU member states Russia or Belarus).

Information on the packaging
<https://support.industry.siemens.com/cs/ww/en/view/109813875>

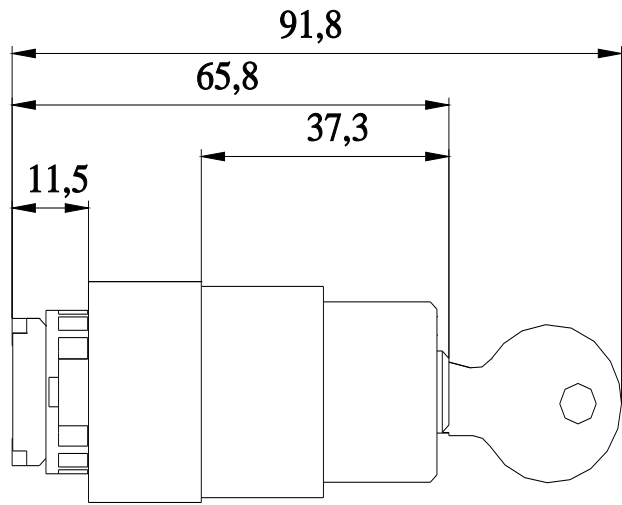
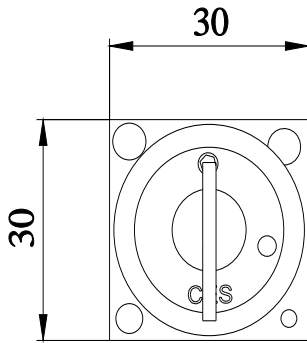
Information- and Downloadcenter (Catalogs, Brochures,...)
<https://www.siemens.com/ic10>

Industry Mall (Online ordering system)
<https://mall.industry.siemens.com/mall/en/en/Catalog/product?mlfb=3SB3000-4PD11>

Cax online generator
<http://support.automation.siemens.com/WW/CAXorder/default.aspx?lang=en&mlfb=3SB3000-4PD11>

Service&Support (Manuals, Certificates, Characteristics, FAQs,...)
<https://support.industry.siemens.com/cs/ww/en/ps/3SB3000-4PD11>

Image database (product images, 2D dimension drawings, 3D models, device circuit diagrams, EPLAN macros, ...)
http://www.automation.siemens.com/bilddb/cax_de.aspx?mlfb=3SB3000-4PD11&lang=en



last modified:

12/21/2020 