

22MM PLASTIC ROUND ACTUATOR: SELECTOR SWITCH LATCHING 3 SWITCH POSITIONS I-O-II ILLUMINATED INCL. HOLDER FOR 3 ELEMENTS WITH HOLDER YELLOW !!! Phased-out product !!! SIRIUS ACT 3SU1 is successor Preferred successor type is >>3SU1002-2BL30-0AA0 + 3SU1500-0AA10-0AA0<<

design of the product	Single device round
Enclosure	
number of command points	1
Actuator	
design of the actuating element	selector switch
principle of operation of the actuating element	latching
product extension optional light source	Yes
color of the actuating element	yellow
material of the actuating element	plastic
outer diameter of the actuating element	55 mm
type of unlocking device	rotate-to-unlatch mechanism
number of switching positions	3
actuating angle	
• clockwise	50°
• anticlockwise	50°
Front ring	
product component front ring	Yes
design of the front ring	Standard
material of the front ring	plastic
color of the front ring	black
Holder	
material of the holder	Plastic
General technical data	
product function	
• EMERGENCY OFF function	No
• EMERGENCY STOP function	No
protection class IP	IP66
vibration resistance acc. to IEC 60068-2-6	20 ... 200 Hz: 5g
operating frequency maximum	1 000 1/h
mechanical service life (switching cycles) typical	300 000
reference code acc. to IEC 81346-2	S
Substance Prohibitance (Date)	01.07.2006
Connections/ Terminals	
tightening torque of the screws in the bracket	1 ... 1.2 N·m
Ambient conditions	
ambient temperature	
• during operation	-25 ... +70 °C
• during storage	-40 ... +80 °C
environmental category during operation acc. to IEC	3K6

60721	
Installation/ mounting/ dimensions	
fastening method	front mounting
shape of the installation opening	round
mounting diameter	22 mm
mounting height	24 mm
installation width	28.5 mm
installation depth	29 mm

Certificates/ approvals	
General Product Approval	Marine / Shipping



Marine / Shipping	other
-------------------	-------



[Miscellaneous](#)

[Confirmation](#)

Further information

Information- and Downloadcenter (Catalogs, Brochures,...)

<https://www.siemens.com/ic10>

Industry Mall (Online ordering system)

<https://mall.industry.siemens.com/mall/en/en/Catalog/product?mlfb=3SB3001-2DA31>

Cax online generator

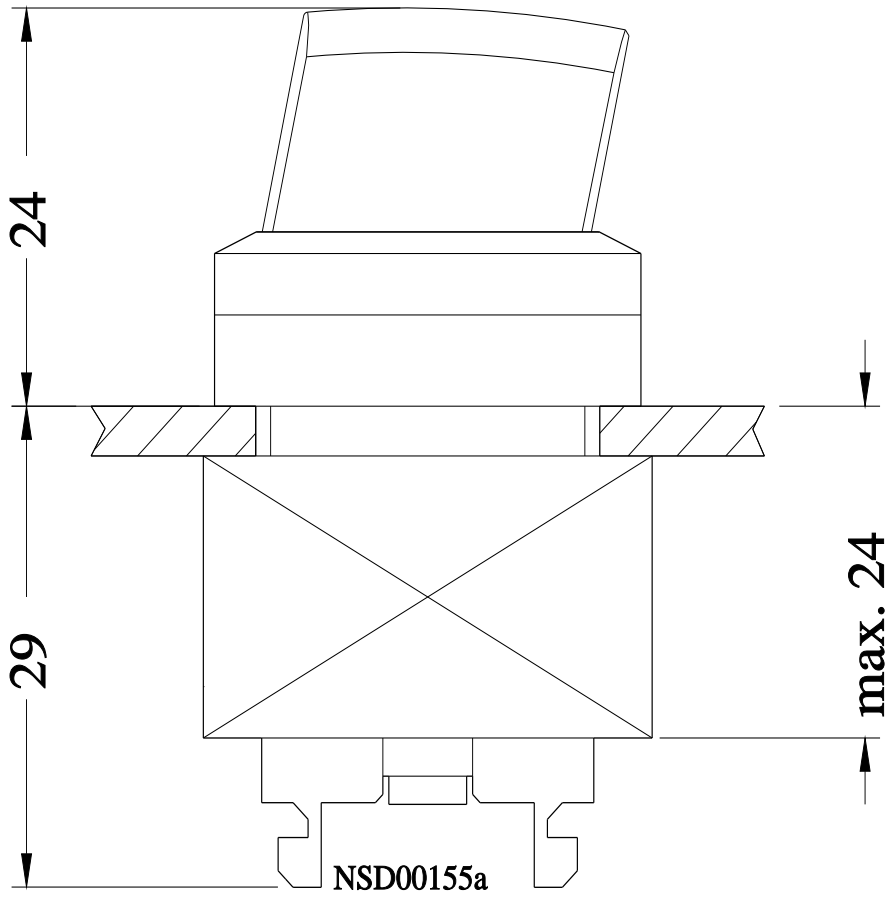
<http://support.automation.siemens.com/WW/CAXorder/default.aspx?lang=en&mlfb=3SB3001-2DA31>

Service&Support (Manuals, Certificates, Characteristics, FAQs,...)

<https://support.industry.siemens.com/cs/ww/en/ps/3SB3001-2DA31>

Image database (product images, 2D dimension drawings, 3D models, device circuit diagrams, EPLAN macros, ...)

http://www.automation.siemens.com/bilddb/cax_de.aspx?mlfb=3SB3001-2DA31&lang=en



last modified:

1/18/2021 