

22MM PLASTIC ROUND COMPLETE UNIT
 COMBINATION: INDICATOR LIGHT WITH SMOOTH
 LENSE NON-ILLUMINATED WITH LAMP HOLDER BA 9S
 WITHOUT LAMP SCREW TERMINAL WITH HOLDER
 GREEN

Actuator:		
Design of the operating mechanism		indicator light
Front ring:		
Product component / front ring		No
Color / of the front ring		black
Enclosure:		
Shape / of the housing front		round
material / of the housing		plastic
General technical details:		
Number of control points		0
Type of voltage		
• of the operating voltage		AC/DC
Operating voltage / rated value		
• minimum	V	5
• maximum	V	400
Design of the electrical connection		screw-type terminals
Number of switching positions		0
Product component / fluorescent materials		No
Product extension / optional / fluorescent materials		Yes
Resistance against shock		
• for devices with incandescent lamp / according to IEC 60068-2-27		<= 30g
• for devices without incandescent lamp / according to IEC 60068-2-27		<= 50g
Resistance against vibration / according to IEC 60068-2-6		20 ... 200 Hz: 5g
Operating cycles / maximum	1/h	1,000
Item designation		
• according to DIN EN 61346-2		P

- according to DIN 40719 extendable after IEC 204-2 / according to IEC 750

H

Auxiliary circuit:

Number of NC contacts / for auxiliary contacts	0
Number of NO contacts / for auxiliary contacts	0
Number of change-over switches / for auxiliary contacts	0

Installation/mounting/dimensions:

Execution of the mounting	BA 9s, without lamp
Type of mounting	front mounting
Shape / of the installation hole	round
Installation width	mm 28
Mounting diameter	mm 22
Mounting height	mm 11
Tightening torque / of the screws in the bracket / maximum	N-m 1

Ambient conditions:

Ambient temperature		
• during operating	°C	-25 ... 60
• during storage	°C	-40 ... 80
Protection class IP		IP66

Certificates/approvals:

General Product Approval



CQC



CSA

[ROSTEST](#)



UL

Test Certificates

[Manufacturer](#)

Shipping Approval



ABS



BUREAU
VERITAS



DNV



LRS



PRS



RINA

other

[Manufacturer](#)

Further information:

Information- and Downloadcenter (Catalogs, Brochures,...)

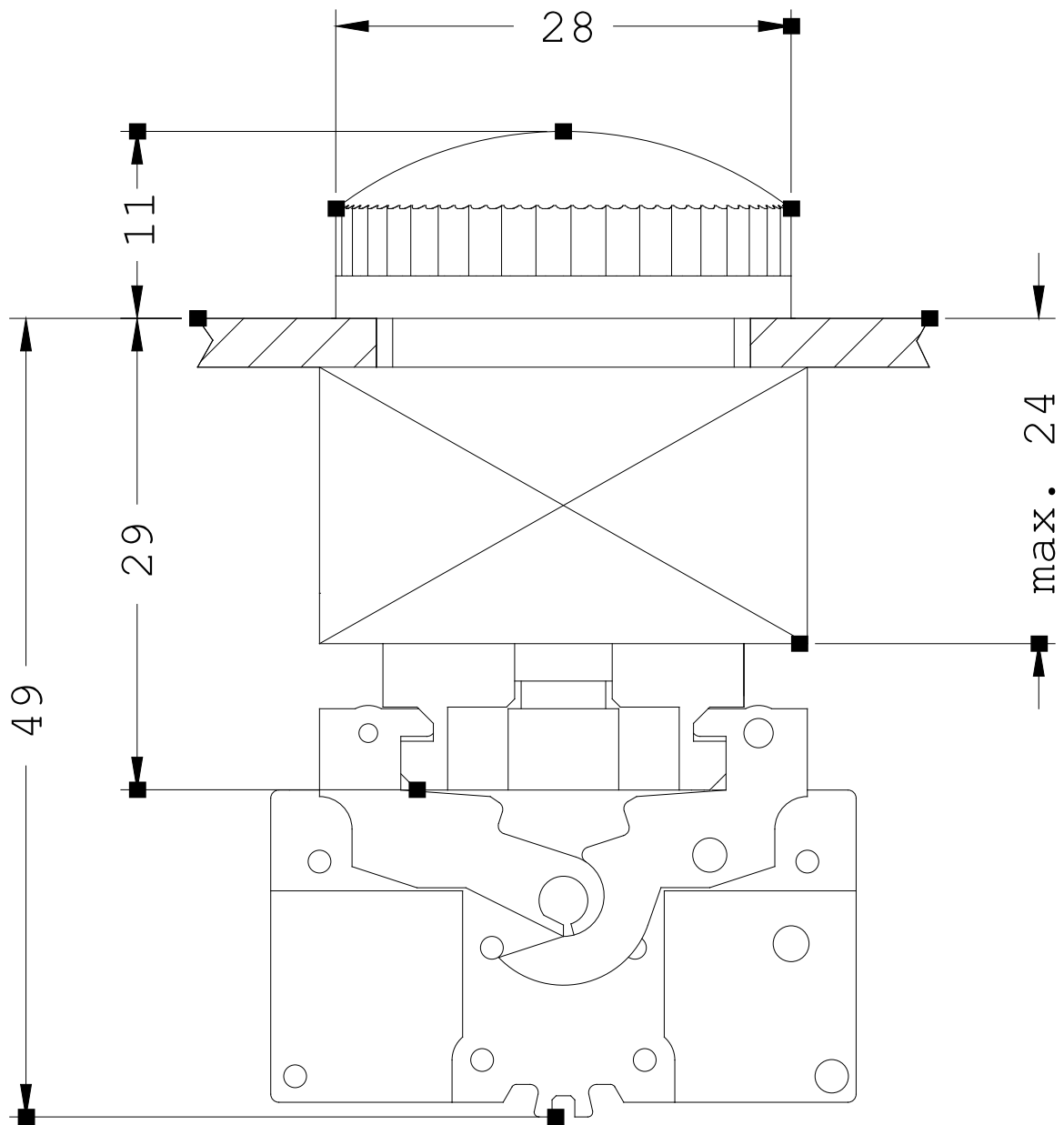
<http://www.siemens.com/industrial-controls/catalogs>

Industry Mall (Online ordering system)

<http://www.siemens.com/industrial-controls/mall>

CAX-Online-Generator

<http://www.siemens.com/cax>



last change:

Oct 31, 2011