



ENCLOSURE FOR 22MM PROGRAM PLASTIC VERSION  
1 COMMAND POSITION YELLOW TOP PART WITHOUT  
PROTECTIVE COLLAR FOR EMERGEN.-STOP

Enclosure:	
material / of the housing	plastic
Color / of the top part of housing	yellow
Actuator:	
Material / of the activation element	plastic
General technical details:	
product designation	empty enclosure for commanding and signaling devices
Design of the product / with coat of paint	No
Number of control points	1
Supply status / pre-wired on terminal strip	No
Supply status / as a kit	No
Item designation / according to DIN 40719 extendable after IEC 204-2 / according to IEC 750	S
Item designation / according to DIN EN 61346-2	U
Type of fixing/fixation / for switching elements, socket fixing and accessories	floor mounting
Product component	
• stand/pedestal	No
• protective collar	No

### Auxiliary Contacts:

Number of NC contacts / for auxiliary contacts		0
Number of NO contacts / for auxiliary contacts		0
Number of change-over switches / for auxiliary contacts		0




### Installation/mounting/dimensions:

Type of mounting		screw fixing
Shape / of the installation hole		round
Mounting diameter	mm	22
Width	mm	85
Height	mm	85
Depth	mm	64

### Ambient conditions:

Protection class IP		IP65
ambient temperature		
• during the operating phase	°C	-25 ... 70
Climatic class / according to DIN 50017		KTW24

### Certificates/approvals:

General Product Approval	Functional Safety / Safety of Machinery	Test Certificates
 	<a href="#">BG</a>	<a href="#">Manufacturer</a>
Shipping Approval		other
<a href="#">ABS</a> 	<a href="#">PRS</a>	<a href="#">Manufacturer</a>

### Further information:

#### Information- and Downloadcenter (Catalogs, Brochures,...)

<http://www.siemens.com/industrial-controls/catalogs>

#### Industry Mall (Online ordering system)

<http://www.siemens.com/industrial-controls/mall>

#### CAX-Online-Generator

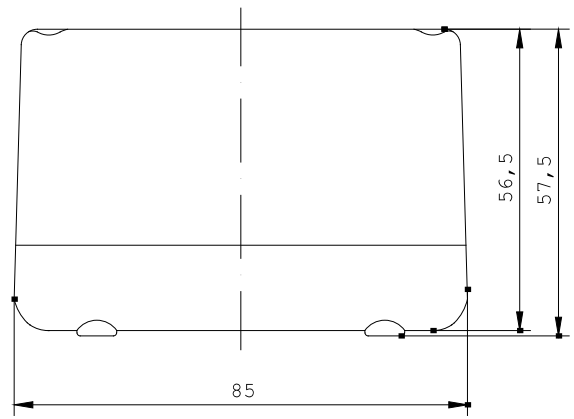
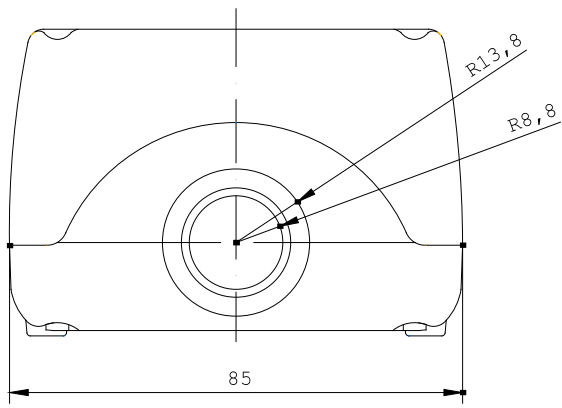
<http://www.siemens.com/cax>

#### Service&Support (Manuals, Certificates, Characteristics, FAQs,...)

<http://support.automation.siemens.com/WWW/view/en/3SB3801-0AB3/all>

#### Image database (product images, 2D dimension drawings, 3D models, device circuit diagrams, ...)

[http://www.automation.siemens.com/bilddb/cax\\_en.aspx?mlfb=3SB3801-0AB3](http://www.automation.siemens.com/bilddb/cax_en.aspx?mlfb=3SB3801-0AB3)



last change:

Jan 31, 2011