



Hinge switch Molded-plastic enclosure with aluminum hinge 1 NO/2 NC slow-action contacts for 40 mm profiles Actuating angle 8° Supplied with additional hinge and fixing material

<b>product brand name</b>	SIRIUS
<b>product designation</b>	Safety hinge switches
<b>product type designation</b>	<a href="#">3SE228</a>
<b>suitability for use safety switch</b>	Yes

### General technical data

<b>product function</b> positive opening	Yes
<b>insulation voltage rated value</b>	250 V
<b>surge voltage resistance rated value</b>	4 kV
<b>protection class IP</b>	IP65
<b>shock resistance</b>	30g / 18 ms
<b>vibration resistance</b>	10 ... 200 Hz: 20g
<b>mechanical service life (operating cycles) typical</b>	1 000 000
<b>thermal current</b>	2.5 A
<b>reference code according to IEC 81346-2</b>	B
<b>active principle</b>	mechanical
<b>Substance Prohibitance (Date)</b>	07/01/2006
<b>length of the sensor</b>	92 mm
<b>width of the sensor</b>	111.5 mm

### Ambient conditions

<b>ambient temperature</b>	-25 ... +65 °C
<ul style="list-style-type: none"> <li>during operation</li> </ul>	
<b>explosion protection category for dust</b>	none
<b>design of the switching contact</b>	mechanical
<b>number of NC contacts for auxiliary contacts</b>	2
<b>number of NO contacts for auxiliary contacts</b>	1
<b>operational current at AC-15</b>	
<ul style="list-style-type: none"> <li>at 125 V rated value</li> <li>at 230 V rated value</li> </ul>	4.2 A 2 A
<b>operational current at DC-13</b>	
<ul style="list-style-type: none"> <li>at 24 V rated value</li> </ul>	1 A

### Enclosure

<b>design of the housing</b>	special design
<b>material of the enclosure</b>	glass fiber reinforced thermoplast
<b>coating of the enclosure</b>	none
<b>design of the housing according to standard</b>	No

### Drive Head

<b>design of the actuating element</b>	rotary actuator
<b>design of the switching function</b>	positive opening
<b>circuit principle</b>	slow-action contacts
<b>number of switching contacts safety-related</b>	2
<b>cable entry type</b>	2x (M20 x 1.5)

Installation/ mounting/ dimensions	
fastening method	screw fixing
Connections/ Terminals	
type of electrical connection	screw-type terminals
type of connectable conductor cross-sections	1x (0,5 ... 1 mm <sup>2</sup> )
• finely stranded with core end processing	
design of the interface for safety-related communication	without
Communication/ Protocol	
design of the interface	without
Certificates/ approvals	
General Product Approval	Declaration of Conformity

[Confirmation](#)



Test Certificates	Marine / Shipping	other
-------------------	-------------------	-------

[Miscellaneous](#)



[Confirmation](#)

#### Further information

Information on the packaging

<https://support.industry.siemens.com/cs/ww/en/view/109813875>

Information- and Downloadcenter (Catalogs, Brochures,...)

<https://www.siemens.com/ic10>

Industry Mall (Online ordering system)

<https://mall.industry.siemens.com/mall/en/en/Catalog/product?mlfb=3SE2283-0GA53>

Cax online generator

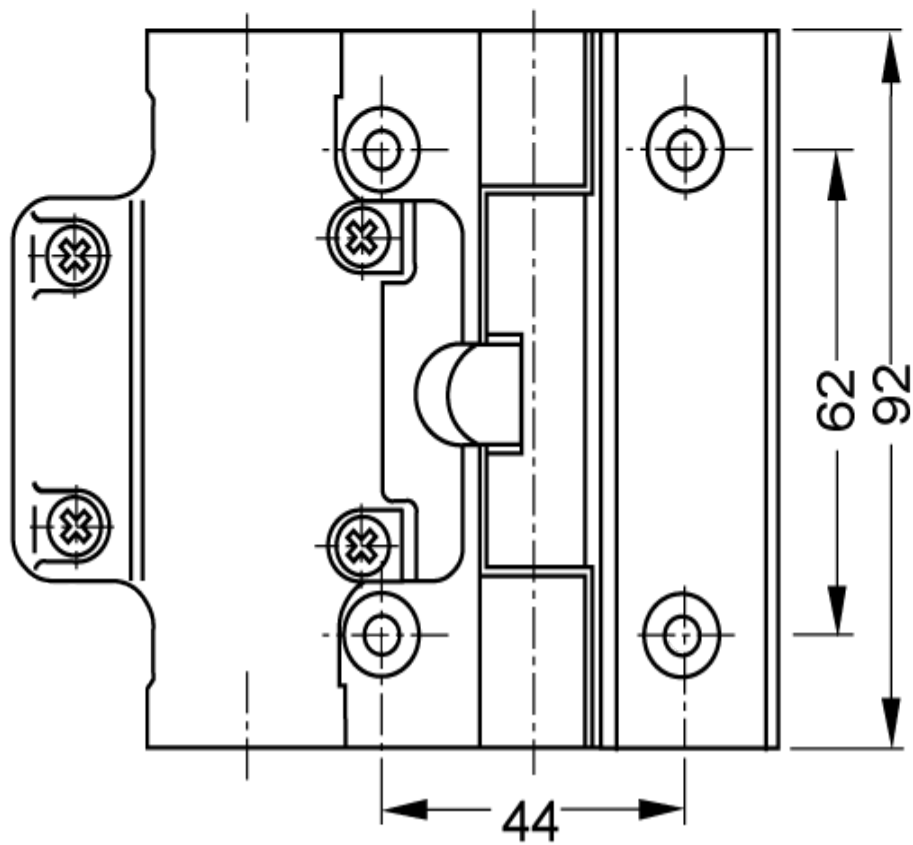
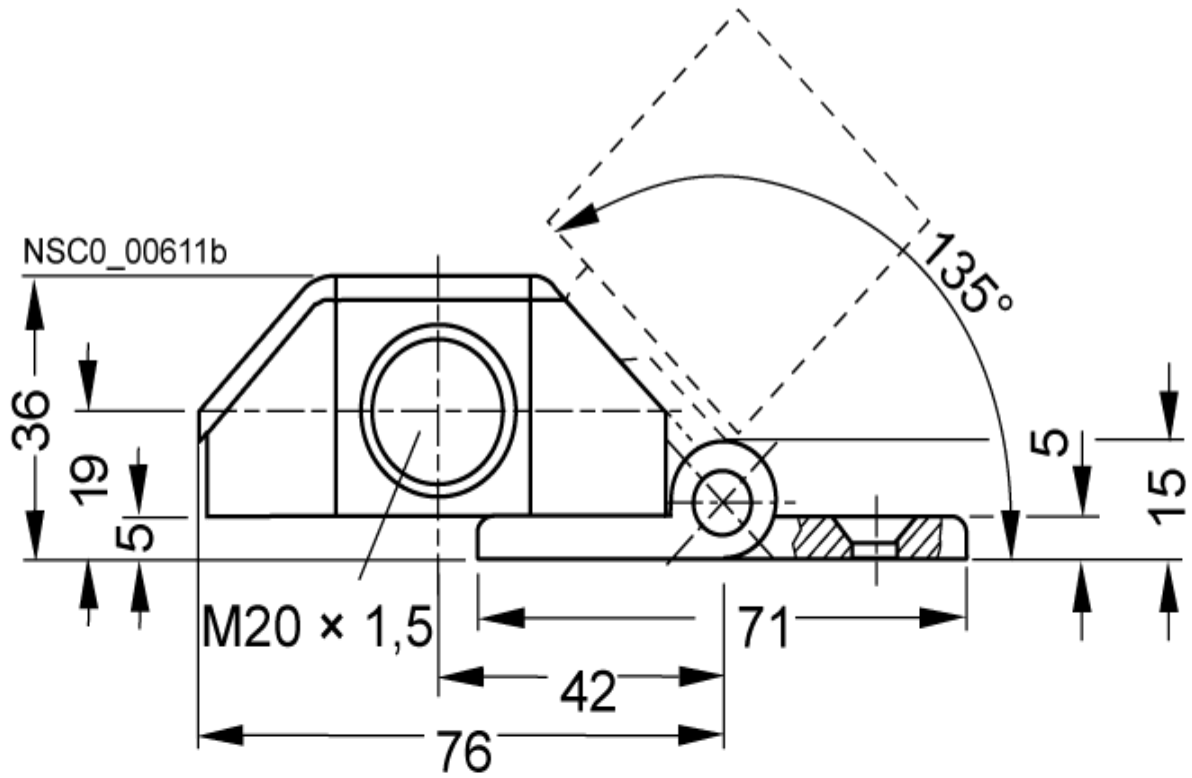
<http://support.automation.siemens.com/WW/CAXorder/default.aspx?lang=en&mlfb=3SE2283-0GA53>

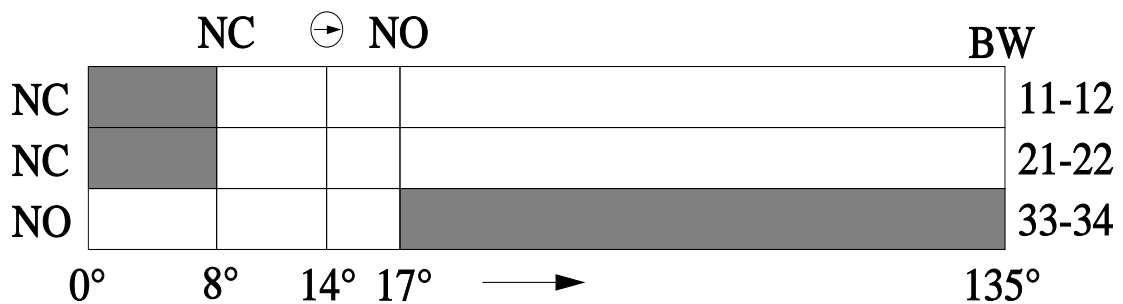
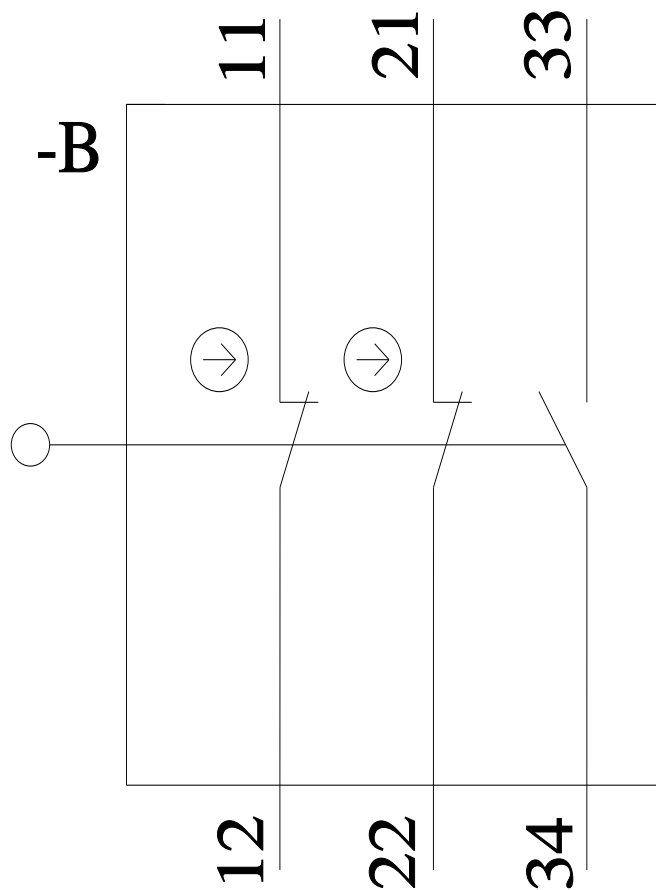
Service&Support (Manuals, Certificates, Characteristics, FAQs,...)

<https://support.industry.siemens.com/cs/ww/en/ps/3SE2283-0GA53>

Image database (product images, 2D dimension drawings, 3D models, device circuit diagrams, EPLAN macros, ...)

[http://www.automation.siemens.com/bilddb/cax\\_de.aspx?mlfb=3SE2283-0GA53&lang=en](http://www.automation.siemens.com/bilddb/cax_de.aspx?mlfb=3SE2283-0GA53&lang=en)





NC Öffnerkontakt / NC contact

NO Schließerkontakt / NO contact

→ Betätigungsrichtung / Travel

BW Betätigungsweg / Actuator travel

⊕ Zwangsöffnung nach / positive opening operation according to EN 60967-5-1

■ Schaltglied geschlossen / Contact element closed

□ Schaltglied geöffnet / Contact element open

last modified:

1/26/2022 ↗