



Hinge switch Molded-plastic enclosure with aluminum hinge 3xNC, Slow-action contacts for 40 mm profiles Supplied with additional hinge and fixing material Cable entry 2 x M20 x 1.5 Actuating angle 8°

product brand name	SIRIUS
product designation	Safety hinge switches
product type designation	3SE228
suitability for use safety switch	Yes

General technical data

product function positive opening	Yes
insulation voltage rated value	250 V
surge voltage resistance rated value	4 kV
protection class IP	IP65
shock resistance	30g / 18 ms
vibration resistance	10 ... 200 Hz: 20g
mechanical service life (operating cycles) typical	1 000 000
thermal current	2.5 A
reference code according to IEC 81346-2	B
active principle	mechanical
Substance Prohibitance (Date)	07/01/2006
length of the sensor	92 mm
width of the sensor	111.5 mm

Ambient conditions

ambient temperature	-25 ... +65 °C
• during operation	
explosion protection category for dust	none
design of the switching contact	mechanical
number of NC contacts for auxiliary contacts	3
number of NO contacts for auxiliary contacts	0
operational current at AC-15	4.2 A
• at 125 V rated value	
• at 230 V rated value	
operational current at DC-13	2 A
• at 24 V rated value	
	1 A

Enclosure

design of the housing	special design
material of the enclosure	glass fiber reinforced thermoplast
coating of the enclosure	none
design of the housing according to standard	No

Drive Head

design of the actuating element	rotary actuator
design of the switching function	positive opening
circuit principle	slow-action contacts
number of switching contacts safety-related	3
cable entry type	2x (M20 x 1.5)

Installation/ mounting/ dimensions	
fastening method	screw fixing
Connections/ Terminals	
type of electrical connection	screw-type terminals
type of connectable conductor cross-sections	1x (0,5 ... 1 mm ²)
• finely stranded with core end processing	
design of the interface for safety-related communication	without
Communication/ Protocol	
design of the interface	without
Certificates/ approvals	
General Product Approval	Declaration of Conformity

[Confirmation](#)



EG-Konf.

Test Certificates	Marine / Shipping	other
-------------------	-------------------	-------

[Miscellaneous](#)



LRS



PRS



RINA



DNV-GL

[Confirmation](#)

Further information

Information on the packaging

<https://support.industry.siemens.com/cs/ww/en/view/109813875>

Information- and Downloadcenter (Catalogs, Brochures,...)

<https://www.siemens.com/ic10>

Industry Mall (Online ordering system)

<https://mall.industry.siemens.com/mall/en/en/Catalog/product?mlfb=3SE2283-6GA53>

Cax online generator

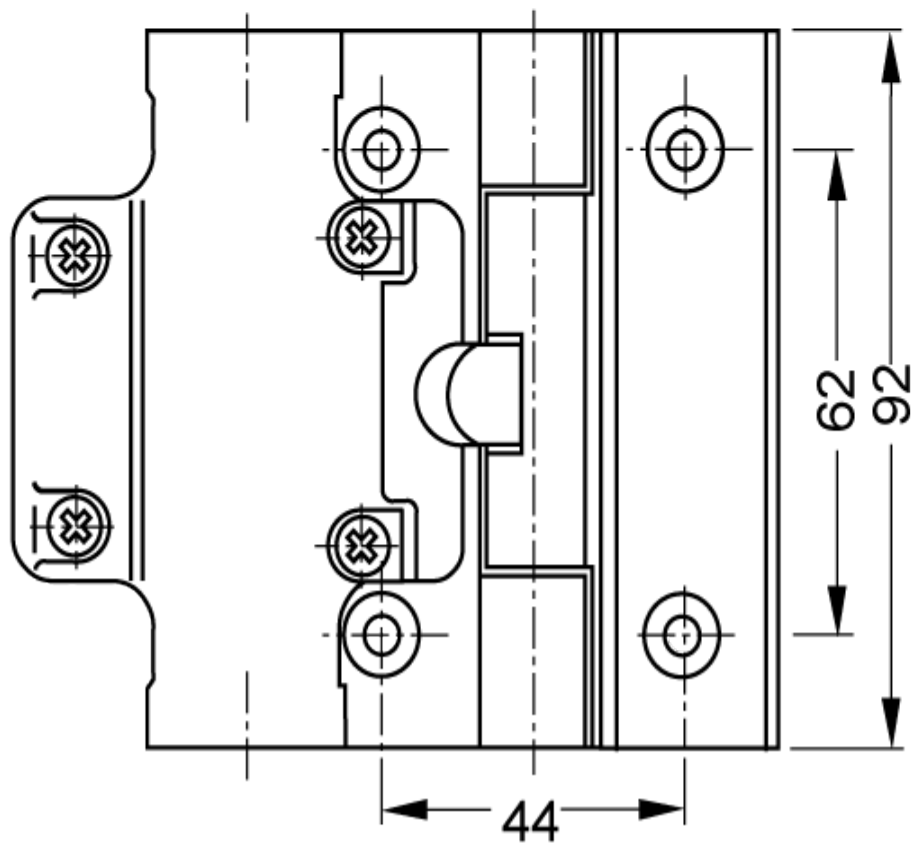
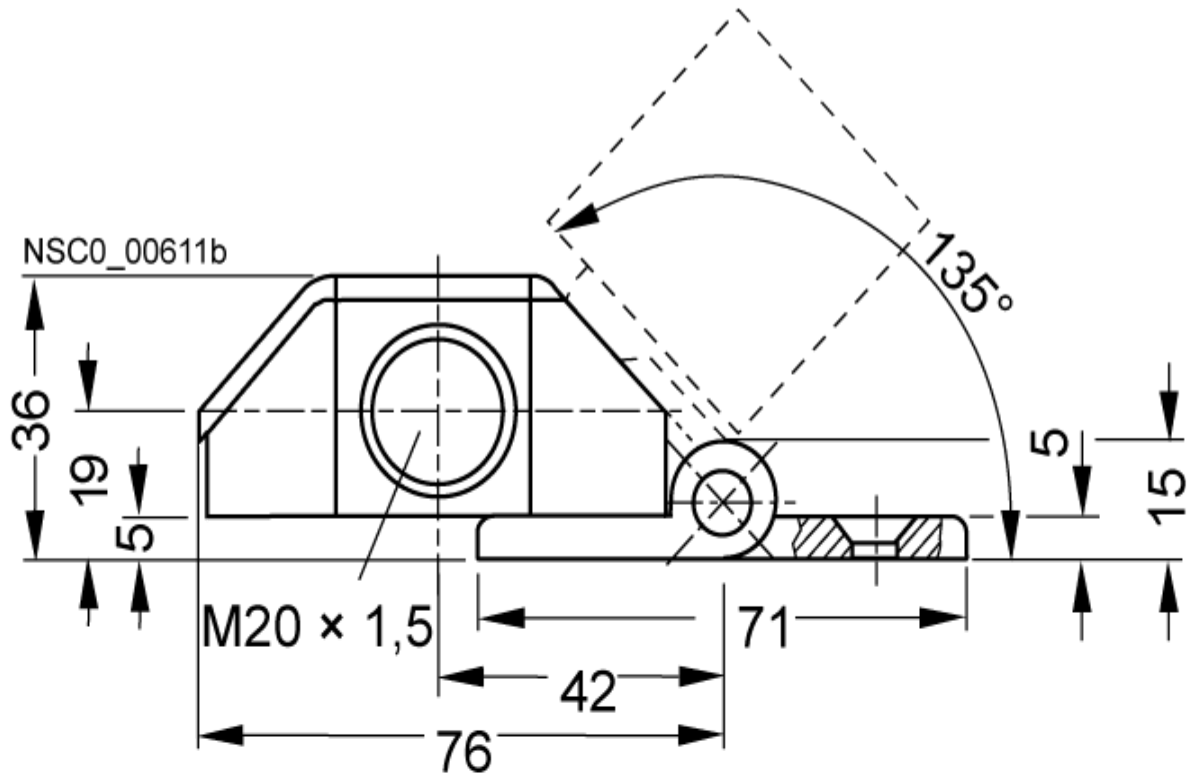
<http://support.automation.siemens.com/WW/CAXorder/default.aspx?lang=en&mlfb=3SE2283-6GA53>

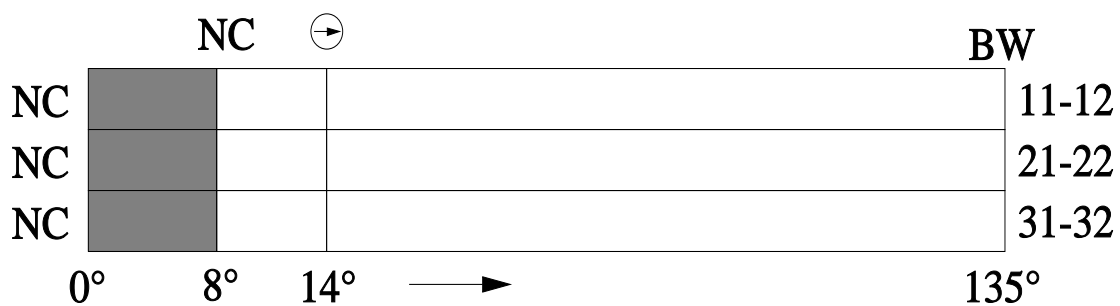
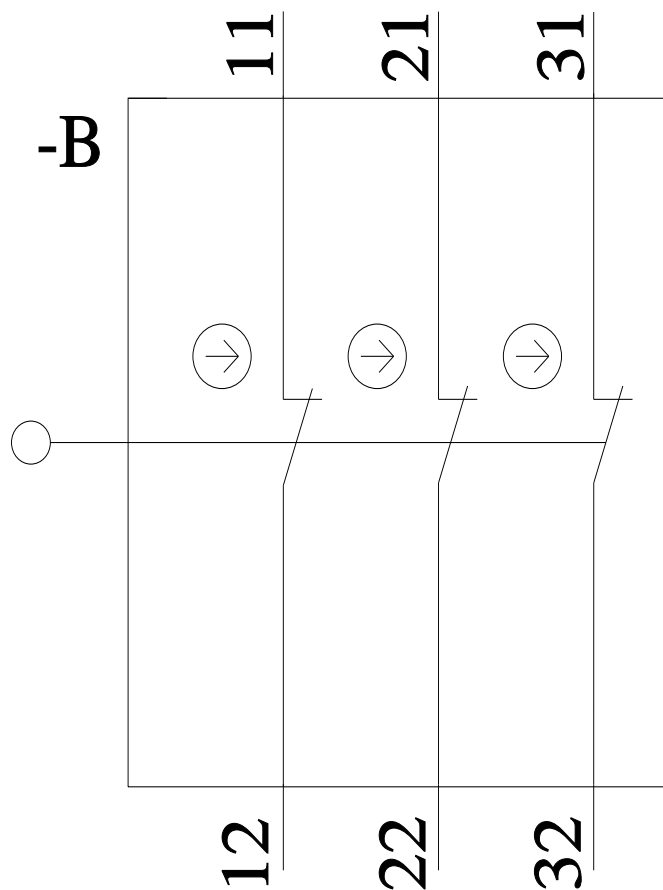
Service&Support (Manuals, Certificates, Characteristics, FAQs,...)

<https://support.industry.siemens.com/cs/ww/en/ps/3SE2283-6GA53>

Image database (product images, 2D dimension drawings, 3D models, device circuit diagrams, EPLAN macros, ...)

http://www.automation.siemens.com/bilddb/cax_de.aspx?mlfb=3SE2283-6GA53&lang=en





NC Öffnerkontakt / NC contact

→ Betätigungsrichtung / Travel

BW Betätigungsweg / Actuator travel

⊕ Zwangsöffnung nach / positive opening operation according to EN 60967-5-1

■ Schaltglied geschlossen / Contact element closed

□ Schaltglied geöffnet / Contact element open

last modified:

1/26/2022 ↗