

plastic foot switch, pedal pushbutton, 1-pedal with metal cover, 1 changeover contact



product brand name	SIRIUS
product designation	momentary-contact foot switch
product type designation	3SE39
suitability for use safety switch	No
<b>General technical data</b>	
protection class IP	IP65
reference code according to IEC 81346-2	S
Substance Prohibitance (Date)	07/01/2006
number of switching steps	1
number of the actuation pedals	1
<b>Ambient conditions</b>	
ambient temperature during operation	-10 ... +75 °C
number of NC contacts for auxiliary contacts	0
number of NO contacts for auxiliary contacts	0
operational current at AC-15 at 230 V rated value	5 A
<b>Enclosure</b>	
material of the enclosure	plastic with total insulation
color	
• of the enclosure	black
• of the enclosure top part	grey
<b>Actuator</b>	
product feature	
• interlock	No
• latching	No
cable entry type	cable, 3 m
<b>Installation/ mounting/ dimensions</b>	
fastening method	screw fixing
height	152 mm
width	155 mm
depth	115 mm
<b>Certificates/ approvals</b>	
General Product Approval	Declaration of Conformity



[Confirmation](#)



[Miscellaneous](#)

other

[Confirmation](#)

## Further information

Information on the packaging

<https://support.industry.siemens.com/cs/ww/en/view/109813875>

Information- and Downloadcenter (Catalogs, Brochures,...)

<https://www.siemens.com/ic10>

Industry Mall (Online ordering system)

<https://mall.industry.siemens.com/mall/en/en/Catalog/product?mfb=3SE3902-4CA20>

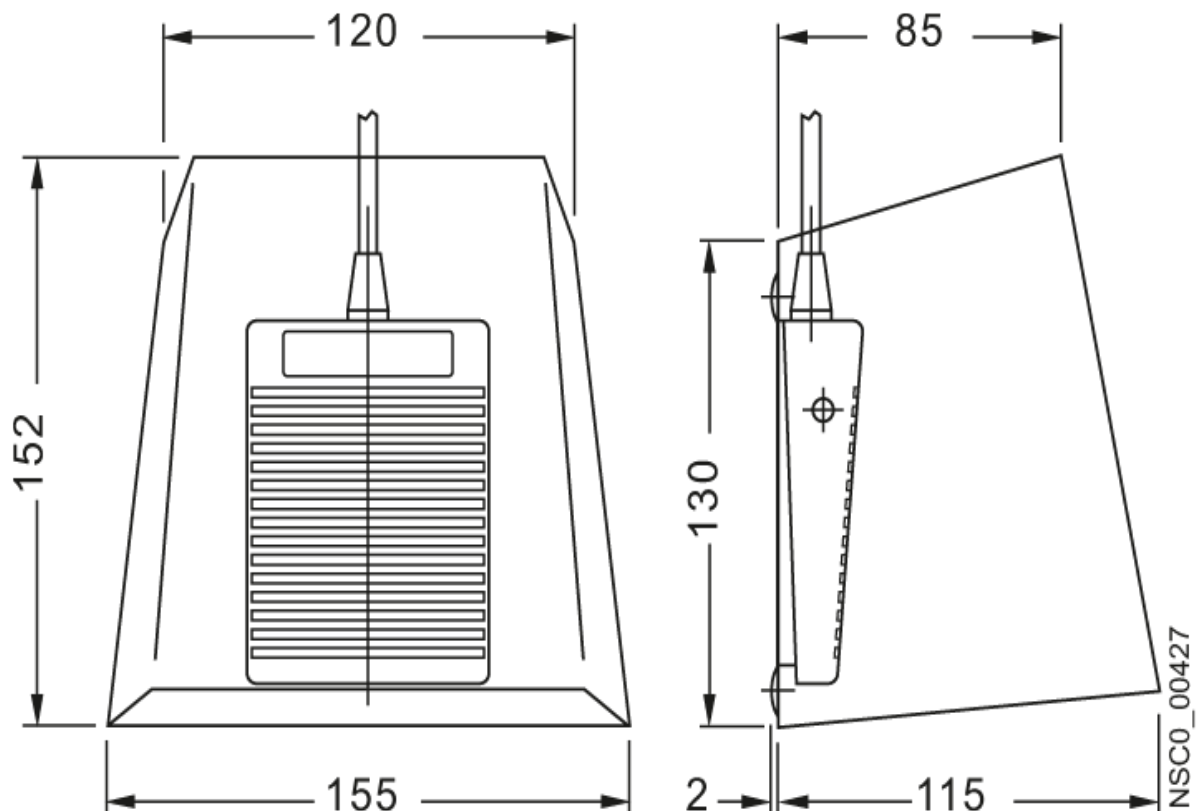
Cax online generator

<http://support.automation.siemens.com/WW/CAXorder/default.aspx?lang=en&mfb=3SE3902-4CA20>

Service&amp;Support (Manuals, Certificates, Characteristics, FAQs,...)

<https://support.industry.siemens.com/cs/ww/en/ps/3SE3902-4CA20>

Image database (product images, 2D dimension drawings, 3D models, device circuit diagrams, EPLAN macros, ...)

[http://www.automation.siemens.com/bilddb/cax\\_de.aspx?mfb=3SE3902-4CA20&lang=en](http://www.automation.siemens.com/bilddb/cax_de.aspx?mfb=3SE3902-4CA20&lang=en)

last modified:

2/12/2021