

Pedal switch 2 change-over contacts 2-pedal, without protective cover



Figure similar

product brand name	SIRIUS
product designation	momentary-contact foot switch
product type designation	3SE39
suitability for use safety switch	No
<b>General technical data</b>	
protection class IP	IP65
reference code according to IEC 81346-2	S
Substance Prohibitation (Date)	07/01/2006
number of switching steps	1
number of the actuation pedals	2
<b>Ambient conditions</b>	
ambient temperature during operation	-10 ... +75 °C
number of NC contacts for auxiliary contacts	0
number of NO contacts for auxiliary contacts	0
operational current at AC-15 at 230 V rated value	5 A
<b>Enclosure</b>	
material of the enclosure	plastic with total insulation
color	
• of the enclosure	black
• of the enclosure top part	black
<b>Actuator</b>	
product feature	
• interlock	No
• latching	No
cable entry type	cable, 3 m
<b>Installation/ mounting/ dimensions</b>	
fastening method	screw fixing
height	108 mm
width	212 mm
depth	34 mm
<b>Certificates/ approvals</b>	
General Product Approval	Declaration of Conformity



[Confirmation](#)



Declaration of  
Conformity

Test Certificates

Marine / Shipping



[Miscellaneous](#)



other

[Confirmation](#)

#### Further information

Information on the packaging

<https://support.industry.siemens.com/cs/ww/en/view/109813875>

Information- and Downloadcenter (Catalogs, Brochures,...)

<https://www.siemens.com/ic10>

Industry Mall (Online ordering system)

<https://mall.industry.siemens.com/mall/en/en/Catalog/product?mlfb=3SE3934-5CB20>

Cax online generator

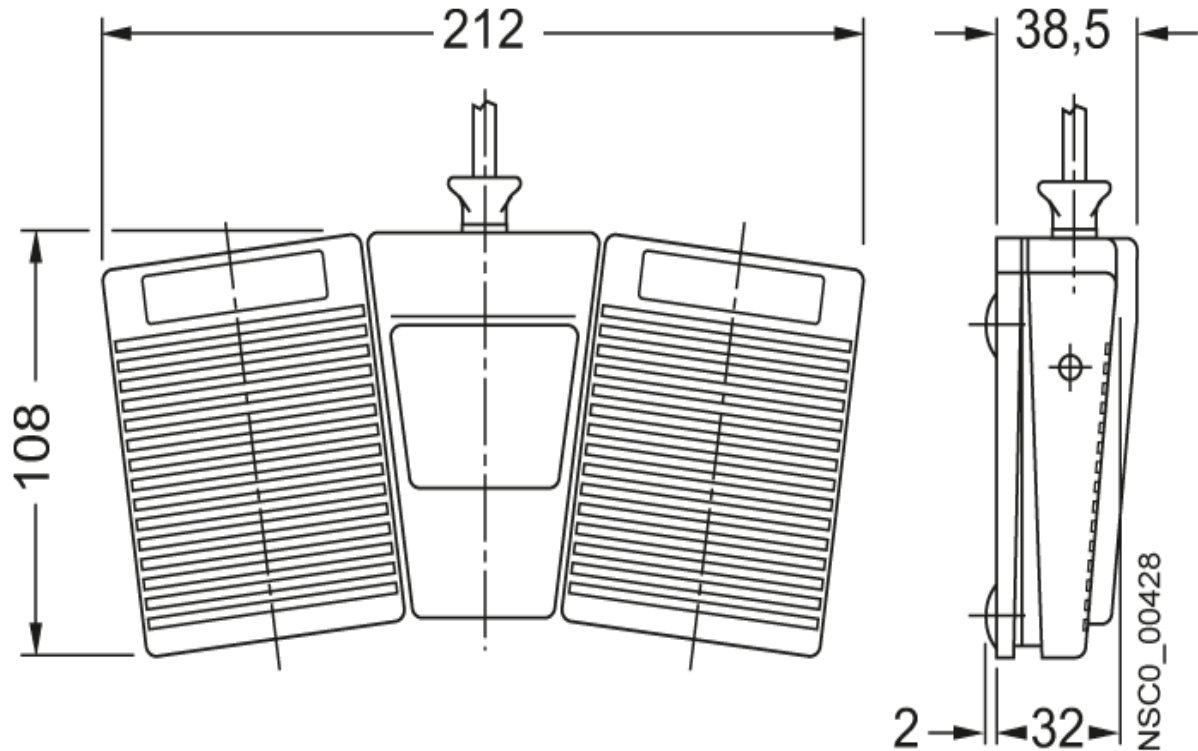
<http://support.automation.siemens.com/WW/CAXorder/default.aspx?lang=en&mlfb=3SE3934-5CB20>

Service&Support (Manuals, Certificates, Characteristics, FAQs,...)

<https://support.industry.siemens.com/cs/ww/en/ps/3SE3934-5CB20>

Image database (product images, 2D dimension drawings, 3D models, device circuit diagrams, EPLAN macros, ...)

[http://www.automation.siemens.com/bilddb/cax\\_de.aspx?mlfb=3SE3934-5CB20&lang=en](http://www.automation.siemens.com/bilddb/cax_de.aspx?mlfb=3SE3934-5CB20&lang=en)



last modified:

2/12/2021