

Actuator head for position switch 3SE51/52 Angular roller lever Stainless steel lever with Plastic roller 13 mm



<b>product brand name</b>	SIRIUS
<b>product designation</b>	actuator head for position switch
<b>product type designation</b>	3SE5
<b>manufacturer's article number</b>	<a href="#">3SE5000-0AF12</a>
<ul style="list-style-type: none"> <li>of the supplied actuator head for position switches</li> </ul>	
<b>General technical data</b>	
<b>product function</b> positive opening	Yes
<b>shock resistance</b>	
<ul style="list-style-type: none"> <li>according to IEC 60068-2-27</li> </ul>	30g / 11 ms
<b>vibration resistance</b>	
<ul style="list-style-type: none"> <li>according to IEC 60068-2-6</li> </ul>	0.35 mm/5g
<b>mechanical service life (operating cycles) typical</b>	15 000 000
<b>material of the enclosure of the switch head</b>	plastic
<b>reference code according to IEC 81346-2</b>	T
<b>active principle</b>	mechanical
<b>Substance Prohibitance (Date)</b>	07/01/2006
<b>minimum actuating force in directions of actuation</b>	10 N
<b>Ambient conditions</b>	
<b>ambient temperature</b>	
<ul style="list-style-type: none"> <li>during operation</li> </ul>	-25 ... +85 °C
<ul style="list-style-type: none"> <li>during storage</li> </ul>	-40 ... +90 °C
<b>explosion protection category for dust</b>	none
<b>Enclosure</b>	
<b>coating of the enclosure</b>	Other types
<b>Drive Head</b>	
<b>design of the actuating element</b>	Angular roller lever, high-grade steel lever, plastic roller
<b>standard-compliant actuator head</b>	EN 50047
<b>shape of the switch head</b>	roller
<b>outer diameter of the switch head</b>	13 mm
<b>Installation/ mounting/ dimensions</b>	
<b>mounting position</b>	any
<b>fastening method</b>	lockable plug-in fixing
<b>design of the interface for safety-related communication</b>	without
<b>Communication/ Protocol</b>	
<b>design of the interface</b>	without
<b>Certificates/ approvals</b>	
<b>General Product Approval</b>	<b>Declaration of Conformity</b>



[Confirmation](#)



EG-Konf.

Declaration of Conformity	Test Certificates	other
---------------------------	-------------------	-------



[Type Test Certificates/Test Report](#)

[Confirmation](#)

### Further information

#### Information on the packaging

<https://support.industry.siemens.com/cs/ww/en/view/109813875>

#### Information- and Downloadcenter (Catalogs, Brochures,...)

<https://www.siemens.com/ic10>

#### Industry Mall (Online ordering system)

<https://mall.industry.siemens.com/mall/en/en/Catalog/product?mlfb=3SE5000-0AF12>

#### Cax online generator

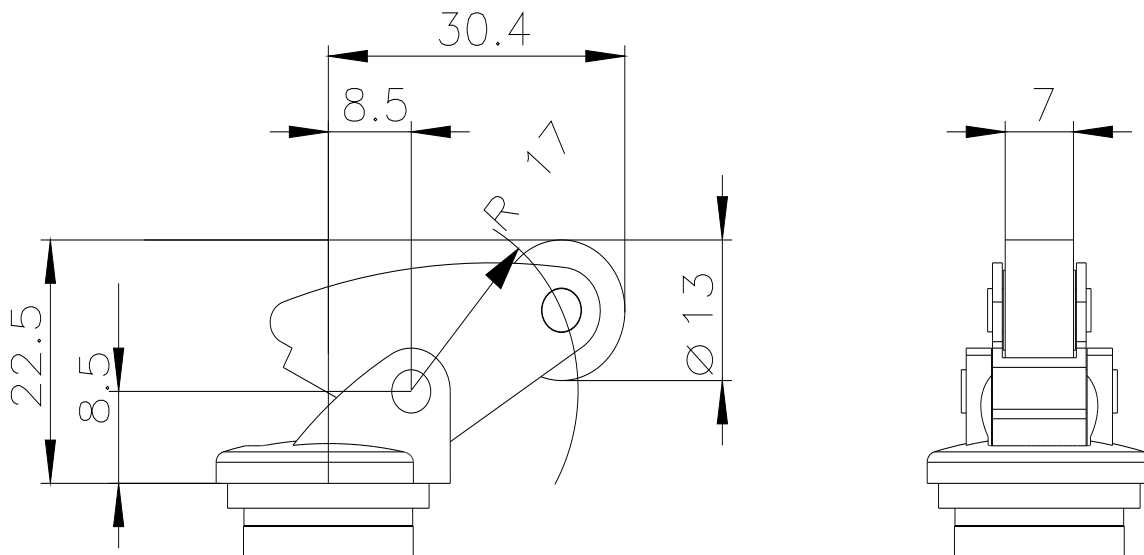
<http://support.automation.siemens.com/WW/CAXorder/default.aspx?lang=en&mlfb=3SE5000-0AF12>

#### Service&Support (Manuals, Certificates, Characteristics, FAQs,...)

<https://support.industry.siemens.com/cs/ww/en/ps/3SE5000-0AF12>

#### Image database (product images, 2D dimension drawings, 3D models, device circuit diagrams, EPLAN macros, ...)

[http://www.automation.siemens.com/bilddb/cax\\_de.aspx?mlfb=3SE5000-0AF12&lang=en](http://www.automation.siemens.com/bilddb/cax_de.aspx?mlfb=3SE5000-0AF12&lang=en)



last modified:

12/21/2020

