



Position switch, 3SE5114 Metal enclosure 40 mm with twist lever adjustable-length with Grid hole EN 50041, 1 NO/1 NC quick action contacts with M12 connector, 5-pole, fixed with 2 LEDs, yellow/green, 24 V DC Pin assignment: Pin1=21, Pin2=22 Pin 3=13 + LED green, Pin 4=14 and LED yellow, Pin 5=ground LED

<p><b>product brand name</b></p> <p><b>product designation</b></p> <p><b>product type designation</b></p> <p><b>manufacturer's article number</b></p> <ul style="list-style-type: none"> <li>• of the supplied basic switch</li> <li>• of the supplied actuator head for position switches</li> <li>• of the supplied operating lever</li> <li>• of the supplied switching contacts</li> </ul> <p>suitability for use safety switch</p>	<p>SIRIUS</p> <p>Mechanical position switches</p> <p>3SE5</p> <p><a href="#">3SE5114-1CA00-0AF3</a></p> <p><a href="#">3SE5000-0AH00</a></p> <p><a href="#">3SE5000-0AA60</a></p> <p><a href="#">3SE5000-0CA00</a></p> <p>Yes</p>
---	---

### General technical data

<p><b>product function</b> positive opening</p> <p><b>insulation voltage rated value</b></p> <p><b>degree of pollution</b></p> <p><b>surge voltage resistance rated value</b></p> <p><b>protection class IP</b></p> <p><b>shock resistance</b></p> <ul style="list-style-type: none"> <li>• according to IEC 60068-2-27</li> </ul> <p><b>vibration resistance according to IEC 60068-2-6</b></p> <p><b>mechanical service life (operating cycles) typical</b></p> <p><b>electrical endurance (operating cycles) with contactor 3RH11, 3RT1016, 3RT1017, 3RT1024, 3RT1025, 3RT1026 typical</b></p> <p><b>Electrical operating cycles in one hour with contactor 3RH11, 3RT1016, 3RT1017, 3RT1024, 3RT1025, 3RT1026</b></p> <p><b>thermal current</b></p> <p><b>material of the enclosure of the switch head</b></p> <p><b>reference code according to IEC 81346-2</b></p> <p><b>continuous current of the C characteristic MCB</b></p> <p><b>continuous current of the quick DIAZED fuse link</b></p> <p><b>continuous current of the DIAZED fuse link gG</b></p> <p><b>active principle</b></p> <p><b>repeat accuracy</b></p> <p><b>operating resource protection class</b></p> <p><b>Substance Prohibitance (Date)</b></p> <p><b>minimum actuating torque in directions of actuation</b></p> <p><b>length of the sensor</b></p> <p><b>width of the sensor</b></p>	<p>Yes</p> <p>125 V</p> <p>class 3</p> <p>0.8 kV</p> <p>IP66/IP67</p> <p>30g / 11 ms</p> <p>0.35 mm/5g</p> <p>15 000 000</p> <p>10 000 000</p> <p>6 000</p> <p>4 A</p> <p>plastic</p> <p>B</p> <p>1 A; for a short-circuit current smaller than 400 A</p> <p>4 A; for a short-circuit current smaller than 400 A</p> <p>4 A</p> <p>mechanical</p> <p>0.05 mm</p> <p>III (according to EN 60536)</p> <p>07/01/2006</p> <p>0.25 N·m</p> <p>206 mm</p> <p>40 mm</p>
--	--

### Ambient conditions

<p><b>ambient temperature</b></p> <ul style="list-style-type: none"> <li>• during operation</li> <li>• during storage</li> </ul>	<p>-25 ... +60 °C</p> <p>-40 ... +90 °C</p>
--	---

explosion protection category for dust	none
design of the switching contact	mechanical
number of NC contacts for auxiliary contacts	1
number of NO contacts for auxiliary contacts	1
operational current at DC-13	
• at 24 V rated value	3 A

Enclosure	
design of the housing	block, narrow
material of the enclosure	metal
coating of the enclosure	cathodic dip coating
design of the housing according to standard	Yes

Drive Head	
design of the actuating element	Adjustable twist lever, adjustable-length metal lever with latching, plastic roller 19 mm
standard-compliant actuator head	EN 50041, design A
shape of the switch head	roller
design of the switching function	positive opening
circuit principle	snap-action contacts
number of switching contacts safety-related	1
cable entry type	M12 plug
design of plug-in connection	M12 plug, 5-pole: Pin 1 = terminal 21, Pin 2 = 22, Pin 3 = 13/LED green, Pin 4 = 14/LED yellow, Pin 5 = ground LED

Installation/ mounting/ dimensions	
mounting position	any
fastening method	screw fixing

Connections/ Terminals	
type of electrical connection	M12 plug, fixed
type of connectable conductor cross-sections	
• solid	1x (0.5 ... 1.5 mm <sup>2</sup> ), 2x (0.5 ... 0.75 mm <sup>2</sup> )
• finely stranded with core end processing	1x (0.5 ... 1.5 mm <sup>2</sup> ), 2x (0.5 ... 0.75 mm <sup>2</sup> )
• at AWG cables solid	1x (20 ... 16), 2x (20 ... 18)
• at AWG cables stranded	1x (20 ... 16), 2x (20 ... 18)

Supply voltage	
type of voltage of the supply voltage of the optional LED display	DC
supply voltage	
• of LED	24 V
design of the interface for safety-related communication	without

Communication/ Protocol	
design of the interface	without

Certificates/ approvals	
General Product Approval	



[Confirmation](#)



Functional Safety/Safety of Machinery	Declaration of Conformity	Test Certificates	other
---------------------------------------	---------------------------	-------------------	-------

[Type Examination Certificate](#)



[Type Test Certificates/Test Report](#)

[Confirmation](#)

### Further information

Information on the packaging

<https://support.industry.siemens.com/cs/ww/en/view/109813875>

Information- and Downloadcenter (Catalogs, Brochures,...)

<https://www.siemens.com/ic10>

Industry Mall (Online ordering system)

<https://mall.industry.siemens.com/mall/en/en/Catalog/product?mfb=3SE5114-1CH60-1AF3>

Cax online generator

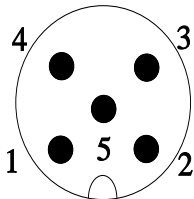
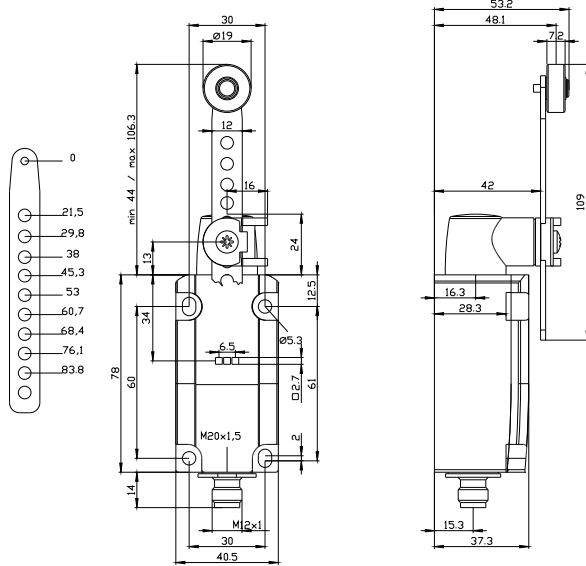
<http://support.automation.siemens.com/WW/CAxorder/default.aspx?lang=en&mfb=3SE5114-1CH60-1AF3>

Service&Support (Manuals, Certificates, Characteristics, FAQs,...)

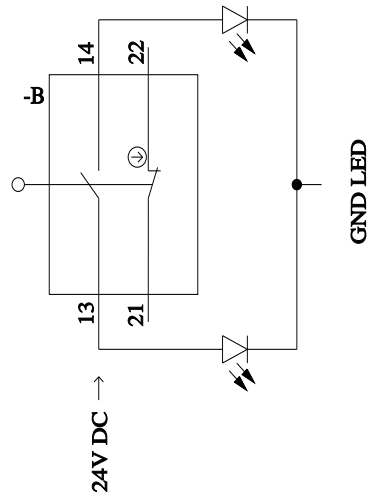
<https://support.industry.siemens.com/cs/ww/en/ps/3SE5114-1CH60-1AF3>

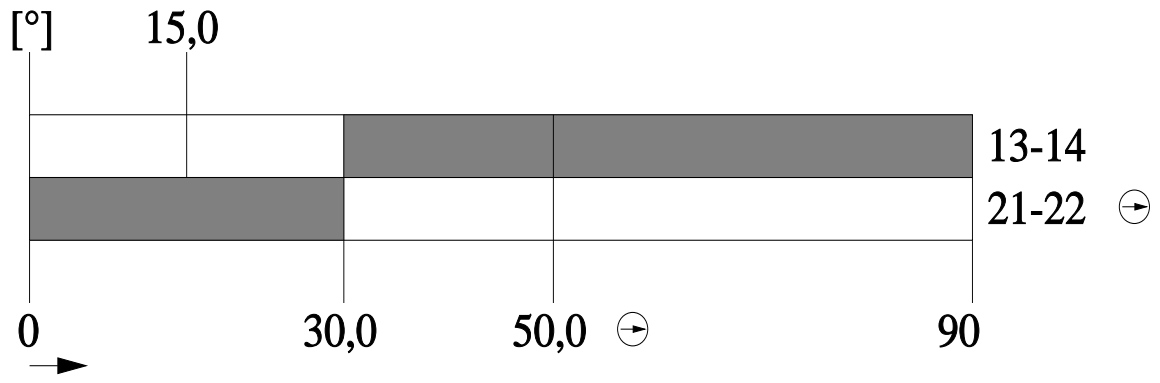
Image database (product images, 2D dimension drawings, 3D models, device circuit diagrams, EPLAN macros, ...)

[http://www.automation.siemens.com/bilddb/cax\\_de.aspx?mfb=3SE5114-1CH60-1AF3&lang=en](http://www.automation.siemens.com/bilddb/cax_de.aspx?mfb=3SE5114-1CH60-1AF3&lang=en)



1	BN = Brown	→	21
2	WH = White	→	22
3	BU = Blue	→	13+LED-Green
4	BK = Black	→	14+LED-Yellow
5	GY = Grey	→	GND LED





last modified:

1/26/2022 