



**Manufacturer article number**

- of the basic unit included in the scope of supply
- of the actuator head for position switches included in the scope of supply

[3SE5232-0HC05](#)

[3SE5000-0AU21](#)

**General technical details:**

**product designation**

standard position switch

**Insulation voltage**

- rated value

V

400

**Degree of pollution**

class 3

**Thermal current**

A

6

**Operating current**

- at AC-15
  - at 24 V / rated value
  - at 125 V / rated value
  - at 230 V / rated value
  - at 400 V / rated value
- at DC-13
  - at 24 V / rated value
  - at 125 V / rated value
  - at 230 V / rated value

A

6

A

6

A

3

A

4

A

3

A

0.55

A


0.27

<ul style="list-style-type: none"> <li>• at 400 V / rated value</li> </ul>	A	0.1
<b>Continuous current</b>		
<ul style="list-style-type: none"> <li>• of the slow DIAZED fuse link</li> </ul>	A	6
<ul style="list-style-type: none"> <li>• of the quick DIAZED fuse link</li> </ul>	A	10
<ul style="list-style-type: none"> <li>• of the C characteristic circuit breaker</li> </ul>	A	2
<b>Mechanical operating cycles as operating time</b>		
<ul style="list-style-type: none"> <li>• typical</li> </ul>		1,000,000
<b>Electrical operating cycles as operating time</b>		
<ul style="list-style-type: none"> <li>• with contactor 3RH11, 3RT1016, 3RT1017, 3RT1024, 3RT1025, 3RT1026 / typical</li> </ul>		10,000,000
<ul style="list-style-type: none"> <li>• at AC-15 / at 230 V / typical</li> </ul>		100,000
<b>Electrical operating cycles in one hour</b>		
<ul style="list-style-type: none"> <li>• with contactor 3RH11, 3RT1016, 3RT1017, 3RT1024, 3RT1025, 3RT1026</li> </ul>		6,000
<b>Repeat accuracy</b>	mm	0.1
<b>Design of the contact element</b>		snap-action contacts
<b>Number of NC contacts</b>		
<ul style="list-style-type: none"> <li>• for auxiliary contacts</li> </ul>		1
<b>Design of the switching function</b>		positive opening, integrated
<b>Number of NO contacts</b>		
<ul style="list-style-type: none"> <li>• for auxiliary contacts</li> </ul>		1
<b>Resistance against vibration</b>		0.35 mm / 5g
<b>Resistance against shock</b>		30g / 11 ms
<b>Ambient temperature</b>		
<ul style="list-style-type: none"> <li>• during the operating phase</li> </ul>	°C	-25 ... 85
<ul style="list-style-type: none"> <li>• during storage</li> </ul>	°C	-40 ... 90
<b>Product specification</b>		
<ul style="list-style-type: none"> <li>• for dimensions</li> </ul>		EN 50047
<b>Width of the sensor</b>	mm	31
<b>material</b>		
<ul style="list-style-type: none"> <li>• of the housing</li> </ul>		plastic
<b>Material / of the housing / of the switch head</b>		plastic / stainless steel
<b>Design of the operating mechanism</b>		operating angle 10°, hollow shaft, di = 8 mm, da = 12 mm
<b>Actuating speed</b>	mm/s /	0.1
<b>Protection class IP</b>		IP65
<b>Built in orientation</b>		any
<b>design of the cable entry (gland)</b>		1x (M20 x 1.5)
<b>Design of the electrical connection</b>		screw-type terminals
<b>Item designation</b>		

- according to DIN 40719 extendable after IEC 204-2
- according to DIN EN 61346-2

S
B

**Certificates/approvals:**

General Product Approval	Functional Safety / Safety of Machinery	other
<a href="#">CQC</a>	<a href="#">TÜV</a>	<a href="#">Manufacturer</a>
		

**Further information:**

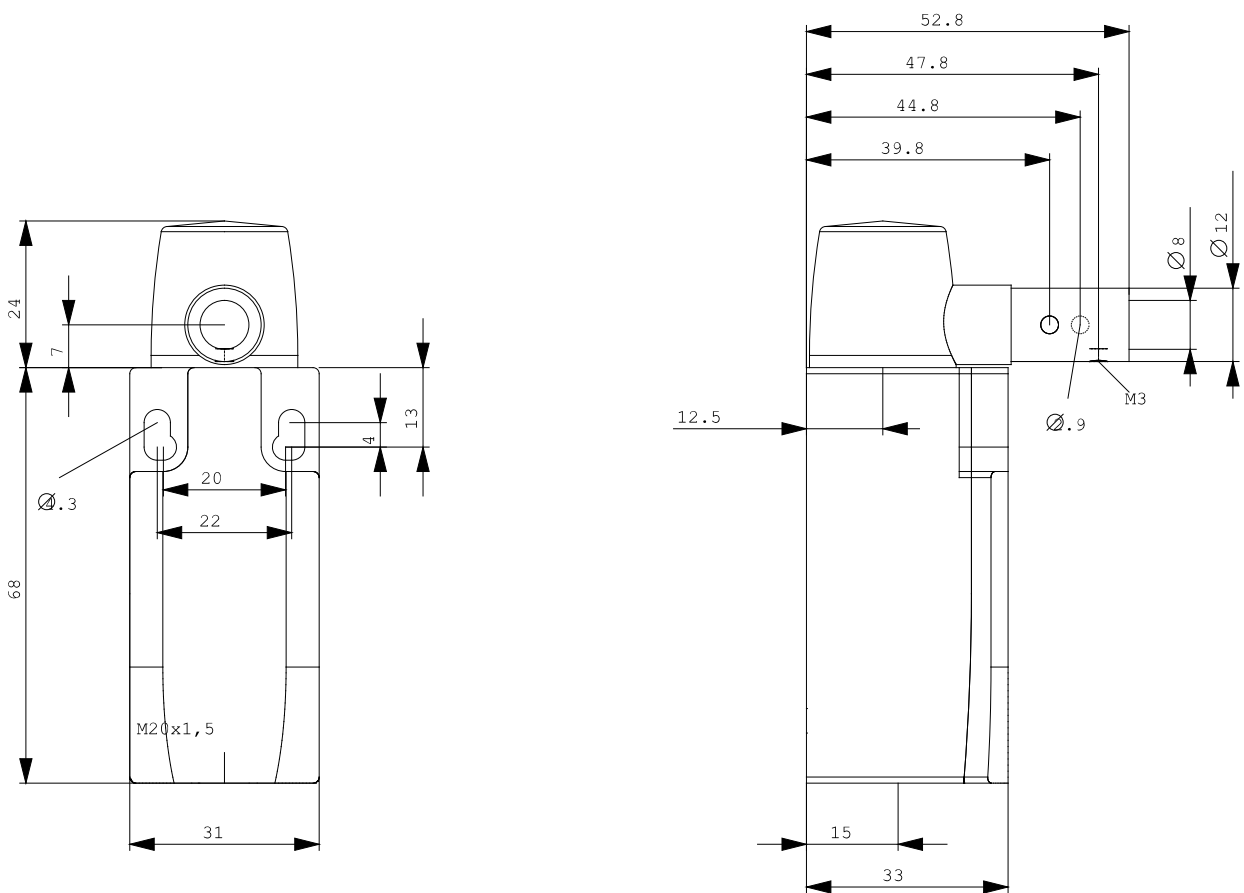
**Information- and Downloadcenter (Catalogs, Brochures,...)**  
<http://www.siemens.com/industrial-controls/catalogs>

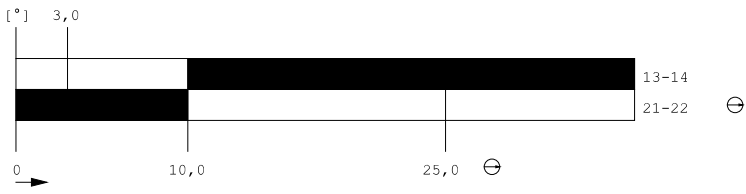
**Industry Mall (Online ordering system)**  
<http://www.siemens.com/industrial-controls/mall>

**CAX-Online-Generator**  
<http://www.siemens.com/cax>

**Service&Support (Manuals, Certificates, Characteristics, FAQs,...)**  
<http://support.automation.siemens.com/WW/view/en/3SE5232-0HU21/all>

**Image database (product images, 2D dimension drawings, 3D models, device circuit diagrams, ...)**  
[http://www.automation.siemens.com/bilddb/cax\\_en.aspx?mlfb=3SE5232-0HU21](http://www.automation.siemens.com/bilddb/cax_en.aspx?mlfb=3SE5232-0HU21)





last change:

Jan 11, 2011