



actuator with magnet latching 18 N, for RFID safety switches 3SE63 rectangular 91 mm x 25 mm with magnet latching

product brand name	SIRIUS	
product designation	RFID safety switch	
design of the product	RFID actuators	
product type designation	3SE63	
<b>General technical data</b>		
product feature	With magnetic latching	
protection class IP	IP65, IP67, IP69k	
Substance Prohibitance (Date)	07/01/2006	
height of the sensor	22 mm	
length of the sensor	91 mm	
width of the sensor	25 mm	
material of the active sensor area	plastic	
mechanical installation condition for sensor	flush installation possible	
<b>Ambient conditions</b>		
ambient temperature during operation	-25 ... +70 °C	
<b>Enclosure</b>		
material of the enclosure	plastic	
material of cable sheath	PVC	
<b>Installation/ mounting/ dimensions</b>		
fastening method	screw fixing	
transmission frequency rated value	125 kHz	
<b>Certificates/ approvals</b>		
General Product Approval	EMC	Functional Safety/Safety of Machinery

[Confirmation](#)



[Type Examination Certificate](#)

Declaration of Conformity

other

Dangerous Good



[Confirmation](#)

[Transport Information](#)

## Further information

### Information on the packaging

<https://support.industry.siemens.com/cs/ww/en/view/109813875>

### Information- and Downloadcenter (Catalogs, Brochures,...)

<https://www.siemens.com/ic10>

### Industry Mall (Online ordering system)

<https://mall.industry.siemens.com/mall/en/en/Catalog/product?mlfb=3SE6310-1BC01>

### Cax online generator

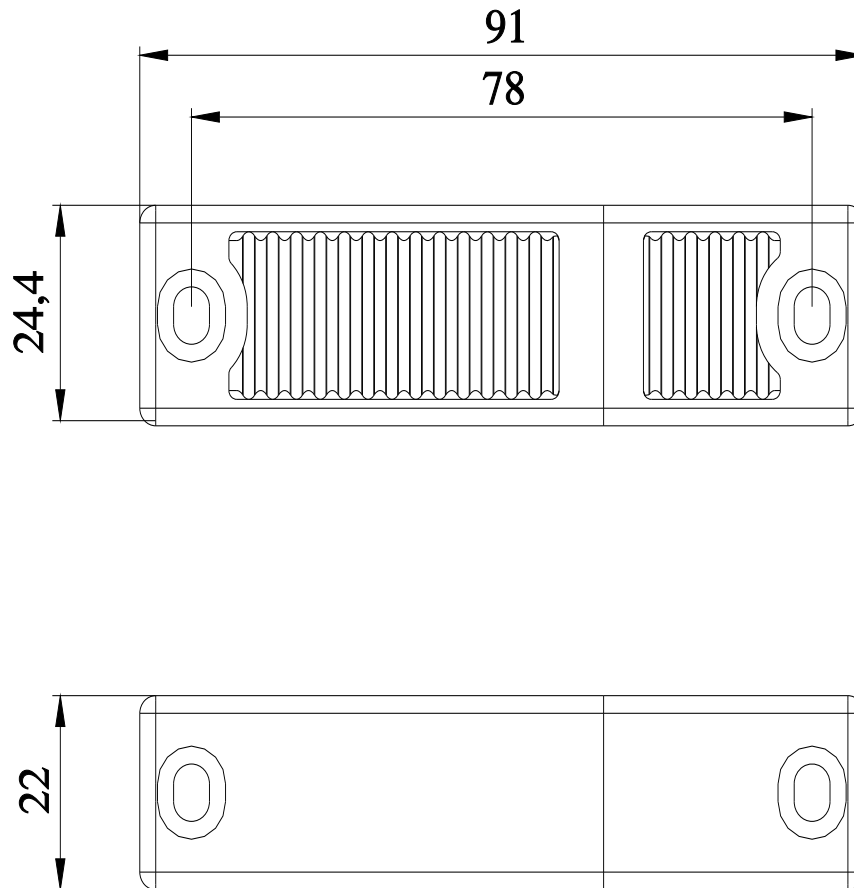
<http://support.automation.siemens.com/WW/CAXorder/default.aspx?lang=en&mlfb=3SE6310-1BC01>

### Service&Support (Manuals, Certificates, Characteristics, FAQs,...)

<https://support.industry.siemens.com/cs/ww/en/ps/3SE6310-1BC01>

### Image database (product images, 2D dimension drawings, 3D models, device circuit diagrams, EPLAN macros, ...)

[http://www.automation.siemens.com/bilddb/cax\\_de.aspx?mlfb=3SE6310-1BC01&lang=en](http://www.automation.siemens.com/bilddb/cax_de.aspx?mlfb=3SE6310-1BC01&lang=en)



last modified:

12/23/2020 