



Possible alternative: 3SE6315-1BB02-1AP0 as of 10.2022 contact-free safety switch RFID rectangular 106 mm x 25 mm individually coded, multiple teach-in capability, with M12 plug 8-pole and magnet latching 18 N. order actuator separately: 3SE6310-1BC01

product brand name	SIRIUS
product designation	RFID safety switch
design of the product	Rectangular sensor unit
product type designation	3SE63
suitability for use safety-related circuits	Yes

General technical data

product function	No
<ul style="list-style-type: none"> positive opening cross-circuit/short-circuit recognition 	Yes
product feature	individually coded, learnable multiple times, with magnet latching
type of voltage of the operating voltage	DC
protection class IP	IP65, IP67, IP69k
shock resistance according to IEC 60068-2-27	Sinusoidal half-wave 30g / 11 ms
vibration resistance according to IEC 60068-2-6	10 ... 55 Hz: 1 mm
Substance Prohibitance (Date)	07/01/2006
height of the sensor	22 mm
length of the sensor	106 mm
width of the sensor	25 mm
material of the active sensor area	plastic
mechanical installation condition for sensor	flush installation possible

Ambient conditions

ambient temperature during operation	-25 ... +70 °C
--------------------------------------	----------------

Control circuit/ Control

type of voltage	DC
operating voltage rated value	24 V
operational current rated value	600 mA

Enclosure

material of the enclosure	plastic
material of cable sheath	PVC

Actuator

design of the actuating element	RFID
---------------------------------	------

Display

evaluation unit required	yes
--------------------------	-----

Contact

switching frequency	1 Hz
operating distance	12 mm
assured operating distance OFF	16 mm
assured operating distance ON	10 mm
design of the switching function	positive switching
number of switching contacts for signaling function	

- safety-related

1

Installation/ mounting/ dimensions

fastening method screw fixing

Connections/ Terminals

type of electrical connection M12 plug, 8-pole
wire length maximum 30 m

Supply voltage

supply voltage 26.4 ... 20.4 V

Inputs/ Outputs

output current 0.5 A
output current at safety-related output maximum 0.25 A
 design of the interface for safety-related communication connector M12
transmission frequency rated value 125 kHz

Safety related data

Safety Integrity Level (SIL) according to IEC 61508 3
 performance level (PL) according to EN ISO 13849-1 e
category according to EN 954-1 4

Certificates/ approvals

General Product Approval

EMC

Functional Safety/Safety of Machinery

[Confirmation](#)



[Type Examination Certificate](#)

Declaration of Conformity

other

Dangerous Good



EG-Konf.

[Confirmation](#)

[Transport Information](#)

Further information

Information on the packaging

<https://support.industry.siemens.com/cs/ww/en/view/109813875>

Information- and Downloadcenter (Catalogs, Brochures,...)

<https://www.siemens.com/ic10>

Industry Mall (Online ordering system)

<https://mall.industry.siemens.com/mall/en/en/Catalog/product?mlfb=3SE6315-1BB02>

Cax online generator

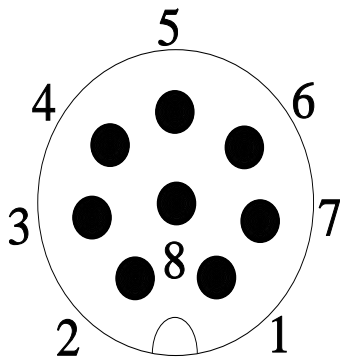
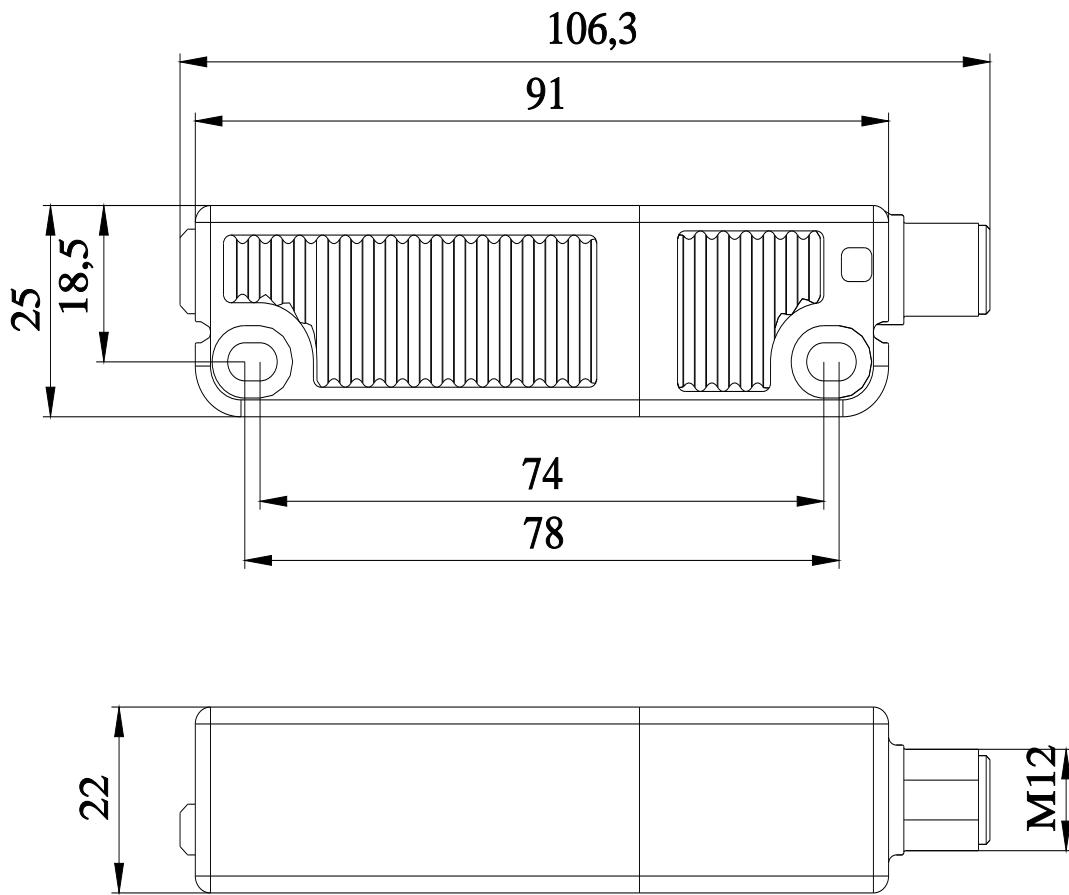
<http://support.automation.siemens.com/WW/CAXorder/default.aspx?lang=en&mlfb=3SE6315-1BB02>

Service&Support (Manuals, Certificates, Characteristics, FAQs,...)

<https://support.industry.siemens.com/cs/ww/en/ps/3SE6315-1BB02>

Image database (product images, 2D dimension drawings, 3D models, device circuit diagrams, EPLAN macros, ...)

http://www.automation.siemens.com/bilddb/cax_de.aspx?mlfb=3SE6315-1BB02&lang=en



1	WH = White	→	A1
2	BN = Brown	→	X1
3	GN = Green	→	A2
4	YE = Yellow	→	OSSD1
5	GY = Grey	→	OUT
6	PK = Pink	→	X2
7	BU = Blue	→	OSSD2
8	RD = Red	→	n. c.

