



Contact block rectangular small 25 x 33 mm, 1 NO+1 NC, 10 m cable

product brand name	SIRIUS
product designation	Magnetically operated switch
design of the product	Rectangular sensor unit
product type designation	3SE66
suitability for use safety-related circuits	Yes

General technical data

product function	No
<ul style="list-style-type: none"> • positive opening • cross-circuit/short-circuit recognition 	Yes
type of voltage of the operating voltage	DC
protection class IP	IP67
shock resistance according to IEC 60068-2-27	Sinusoidal half-wave 30g / 11 ms
vibration resistance according to IEC 60068-2-6	10 ... 55 Hz: 1 mm
Substance Prohibitance (Date)	07/01/2006
height of the sensor	13 mm
length of the sensor	33 mm
width of the sensor	25 mm
material of the active sensor area	plastic
mechanical installation condition for sensor	no flush installation possible

Ambient conditions

ambient temperature during operation	-25 ... +70 °C
---	----------------

Control circuit/ Control

type of voltage	DC
operating voltage rated value	24 V
operational current rated value	100 mA
operating power rated value	1 W
number of NC contacts for auxiliary contacts	1
number of NO contacts for auxiliary contacts	1

Enclosure

design of the housing	block
material of the enclosure	plastic
material of cable sheath	PVC

Actuator

design of the actuating element	magnet
--	--------

Display

evaluation unit required	yes
---------------------------------	-----

Contact

circuit principle	reed switches
switching frequency	5 Hz
assured operating distance OFF	14 mm

assured operating distance ON design of the switching function	4 mm NC contact and NO contact	
Installation/ mounting/ dimensions		
fastening method	screw fixing	
Connections/ Terminals		
type of electrical connection	cable	
wire length	10 m	
Inputs/ Outputs		
type of switching output	Reed contacts	
Safety related data		
Safety Integrity Level (SIL) according to IEC 61508	3	
performance level (PL) according to EN ISO 13849-1	e	
category according to EN 954-1	4	
Certificates/ approvals		
General Product Approval	EMC	Functional Safety/Safety of Machinery

[Confirmation](#)



[Miscellaneous](#)

Declaration of Conformity

other



[Confirmation](#)

Further information

Information on the packaging

<https://support.industry.siemens.com/cs/ww/en/view/109813875>

Information- and Downloadcenter (Catalogs, Brochures,...)

<https://www.siemens.com/ic10>

Industry Mall (Online ordering system)

<https://mall.industry.siemens.com/mall/en/en/Catalog/product?mlfb=3SE6605-3BA10>

Cax online generator

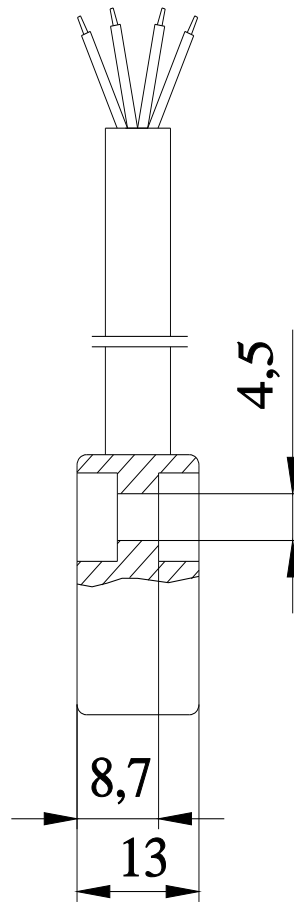
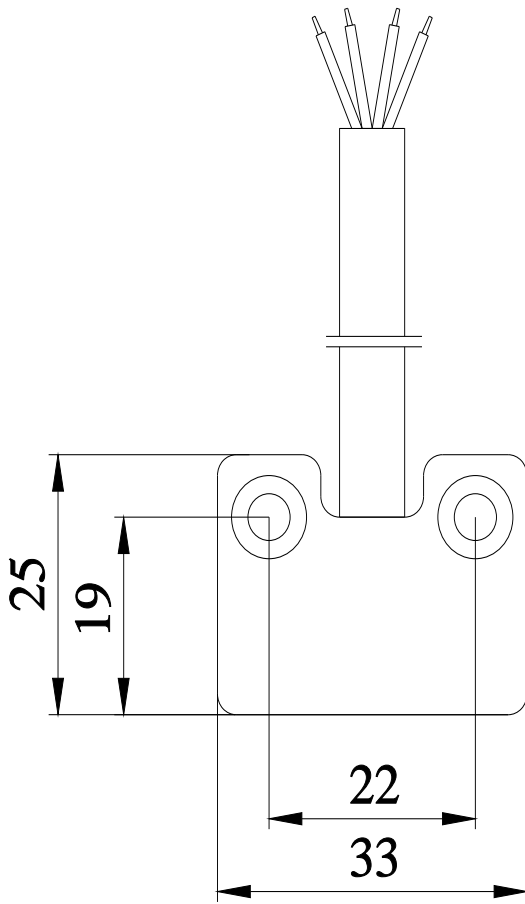
<http://support.automation.siemens.com/WW/CAXorder/default.aspx?lang=en&mlfb=3SE6605-3BA10>

Service&Support (Manuals, Certificates, Characteristics, FAQs,...)

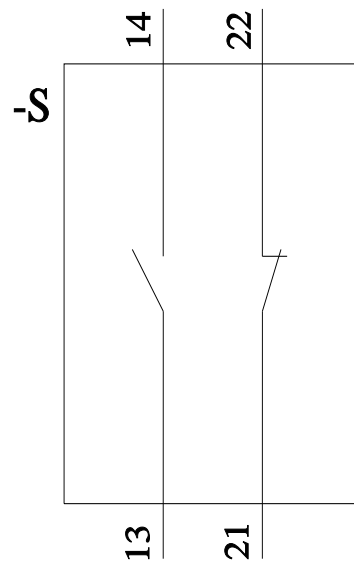
<https://support.industry.siemens.com/cs/ww/en/ps/3SE6605-3BA10>

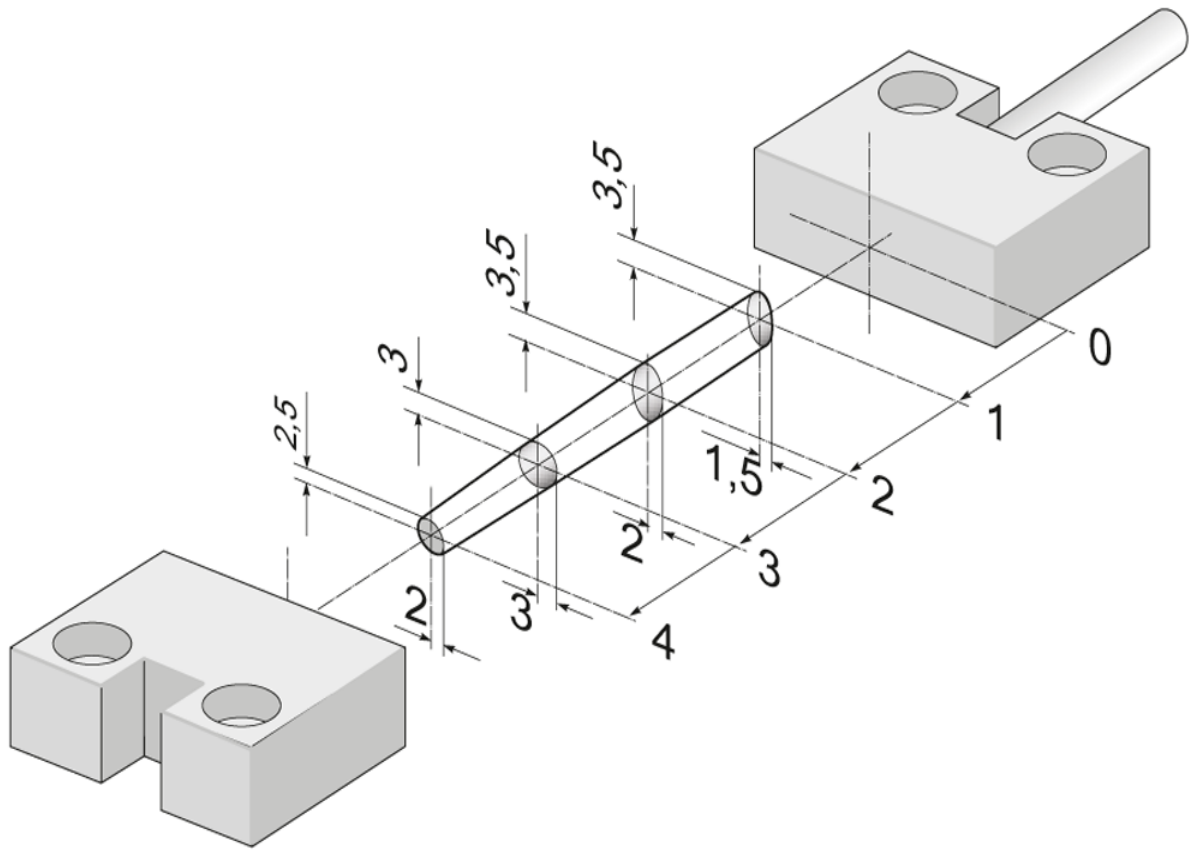
Image database (product images, 2D dimension drawings, 3D models, device circuit diagrams, EPLAN macros, ...)

http://www.automation.siemens.com/bilddb/cax_de.aspx?mlfb=3SE6605-3BA10&lang=en



BK = Black	→	13
BU = Blue	→	14
WH = White	→	21
BN = Brown	→	22





$$s_{a0} = 4 \text{ mm}$$

$$s_{ar} = 14 \text{ mm}$$

last modified:

10/6/2021 